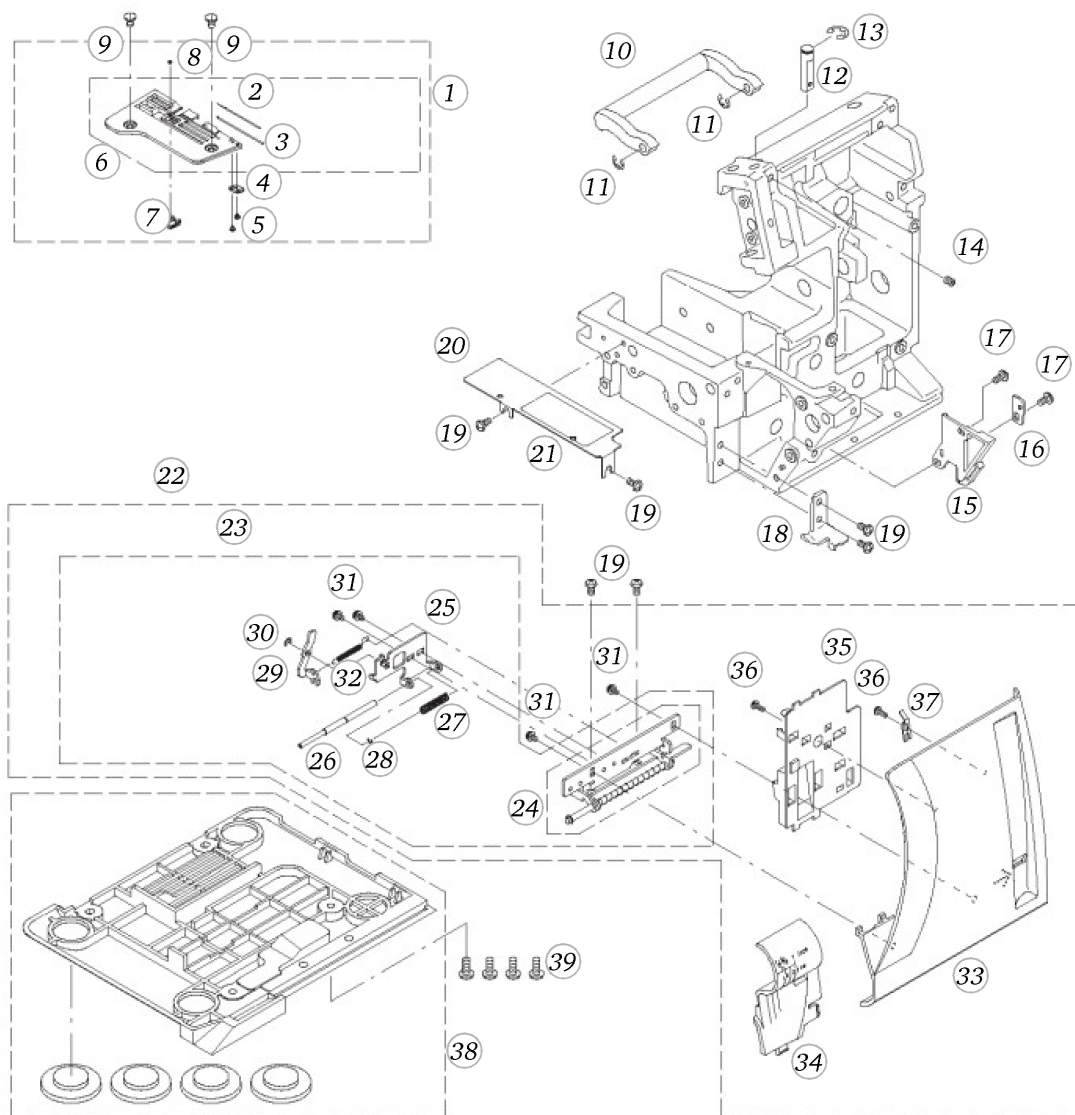




Spare Parts

BERNINA 1150MDA

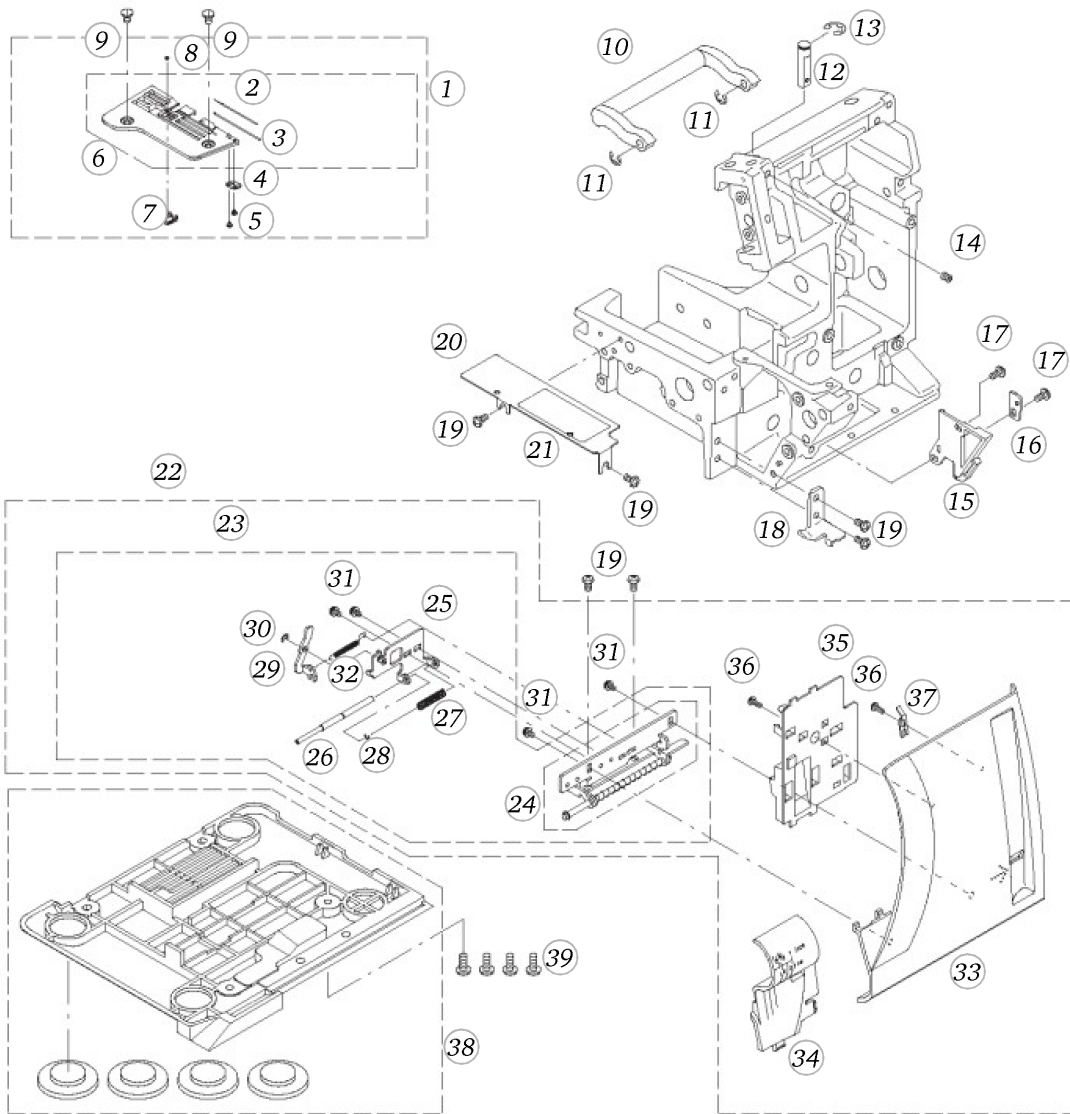
BERNINA 1150MDA



Foundations (1300 MDC)

Pos	Item number	Description	Supplier Part no.
1	5020107035	THROAT PLATE	A111513M0B0
2	5020100079	ROLL HEMMER PIN	A1142776000
3	5020100043	STITCH PLATE PIN	A1116334000
4	5020107146	Presser spring	A113113M000
5	5020107147	SCREW	
6	5020107679	STITCH PLATE	A111513M0A0
7	5020106673	CHAIN OFF THREAD GUIDE	A1116130000
8	5020106346	SCREW CHAIN OFF FINGER	A1172778000
9	5020106810	SCREW	A1138335000
10	5020105439	HANDLE	A1145110000
11	5020100796	E-RING	JRE0500000K0
12	5020105475	GUIDE PLATE SUPP.SHAFT	
13	RE0700000K0	E-RING	
14	5020100839	SCREW	JSM8050602TP
15	5020105445	LOOPER COVER GUIDE	A1156110000
16	5020105361	PLATE	
17	5020106602	SCREW	SM4040855SN
18	5020106814	CLOTH PLATE PRESSER PLATE	A1164535000
19	5020100828	SCREW	JSM5040855SN
20	0000000999	(no longer available)	
20	5020106809	UP COVER	A1135535000
21	A119113M000	LABEL	
22	5020107225	LOOPER COVER ASM	A115113M0B0
23	5020106868	LOOPER COVER HINGE ASM	A11531300B0
24	5020106868	LOOPER COVER HINGE ASM	A11531300B0
25	5020106662	SAFETY SWITCH PRESSER PLATE ASM	
26	5020106661	Axe	A1157130000
27	A1159130000	SPRING	
28	5020100792	E-RING	JRE0200000K0
29	5020106698	SAFETY SWITCH RELEASE ARM	
30	5020100794	E-RING	JRE0300000K0
31	5020100800	SCREW	JSL4030631SC
32	5020106699	SPRING	A1167130000
33	5020107179	LOOPER COVER	A115113M0A0

BERNINA 1150MDA

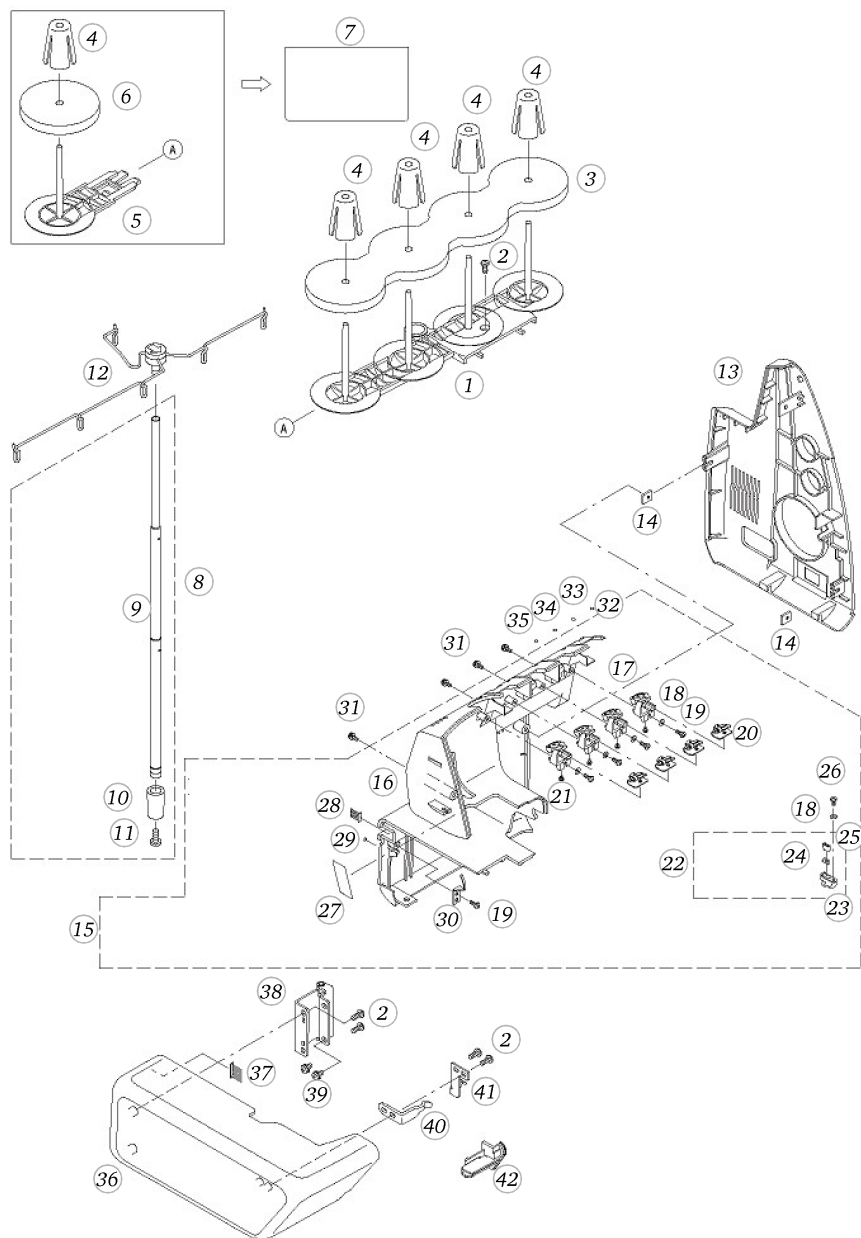


Foundations (1300 MDC)

Pos	Item number	Description	Supplier Part no.
34	5020106680	CLOTH PLATE	A1152130000
35	A1157713M000	ACCESSORY ENCL.PLATE	
36	5020100847	SCREW	JST5030851SN
37	5020100105	LOOPER COVER ADJ.PLATE	A1156776000
38	5020106647	BASE PLATE ASM	A11023230A0
39	5020100831	SCREW	JSM5051255SN

BERNINA 1150MDA

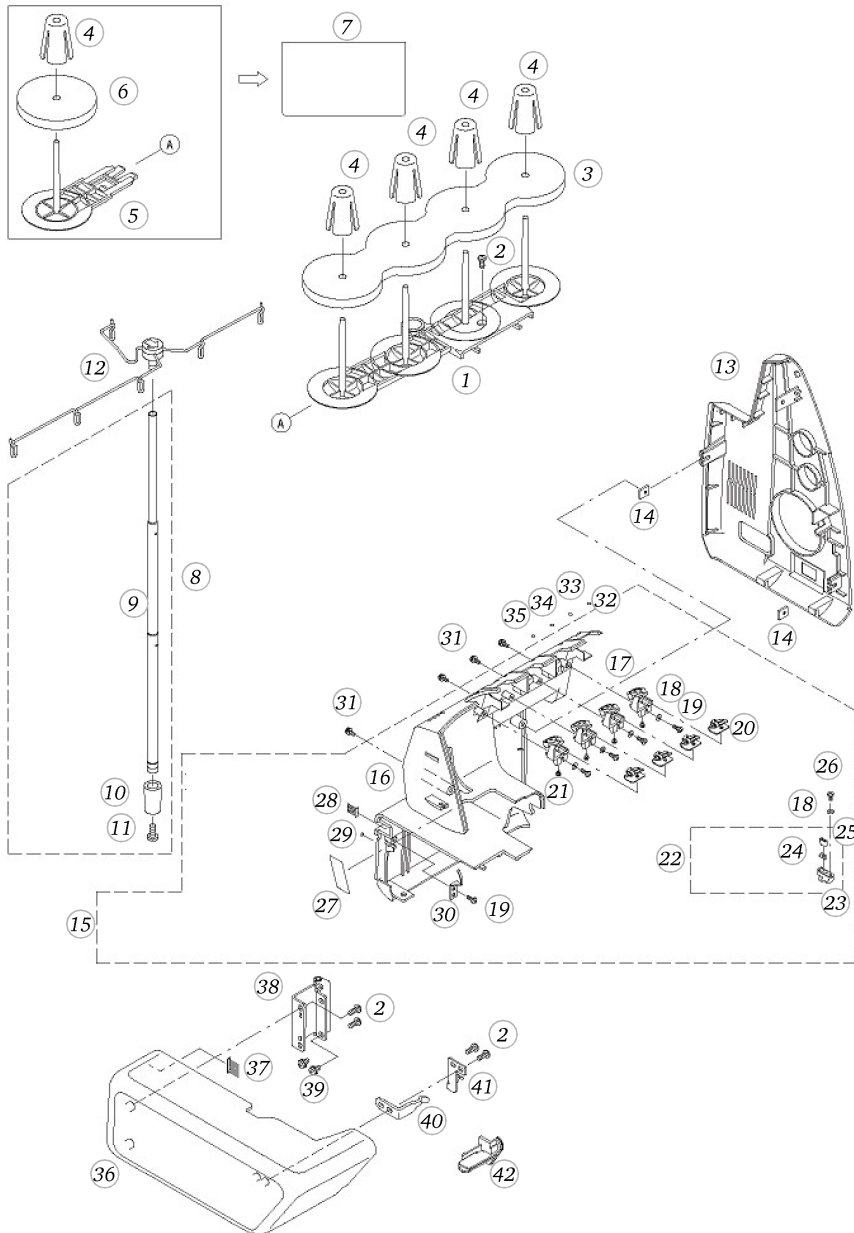
Thread stand (1300 MDC - UL / CSA)



Pos	Item number	Description	Supplier Part no.
1	5020105902	THREAD STAND	A1118779000
2	5020106115	SCREW	JST5041051SN
3	5020100054	FOAM PAD 2000	A1121776000
4	5020100875	SPOOL RETAINER 203	J50000103
5	5020106128	UPP.COVERING THR.SPOOL HOLDER	A1118779A00
6	5020106133	UPPER COV.THR.SPOOL SEAT	A9750779000
7	J0231082A00	THR.STAND ASM.FOR WIPER THREAD	
8	5020105990	SUPPORTING ROAD (ASM.)	A11207760A0B
9	5020107485	SUPPORTING ROD	J40082787
10	5020105991	SUPP.ROD SETTING BASE	A1129776000B
11	5020100831	SCREW	JSM5051255SN
12	5020106527	THREAD GUIDE	A11211300A0
13	5020107240	BELT COVER	A110313M000
14	5020106837	NUT	A3151535000
15	5020107242	REAR COVER	A110613M0A0
16	5020107245	REAR COVER	A110613M000
17	5020106754	1ST THREAD GUIDE	A3303110000A
18	5020100849	WASHER	JWP0320501SC
19	5020100847	SCREW	JST5030851SN
20	5020100464	1ST THREAD GUIDE ASM.	A31017760A0
21	5020100798	SCREW	
22	5020105665	THR.CUTTER BASE PLATE(ASM.)	A11381100A0
23	5020105437	THR.CUTTER BASE PLATE	
24	5020105338	THREAD CUTTER	
25	5020106811	THREAD CUTTER HOLDER	
26	5020100846	SCREW	
27	5020105496	NEEDLE ATTACHING LABEL	
28	5020106751	THREAD TENSION PILE A	
29	JA3154335000A	PURPLE	
30	5020105389	THREAD GUIDE	
31	5020100803	SCREW	JSL5030831SF
32	5020105723	RED SEAL (192 PIECE)	A3151335000
33	5020105722	BLUE SEAL (192 PIECE)	A3150335000
34	5020105724	GREEN SEAL (192 PIECE)	A3157776000

BERNINA 1150MDA

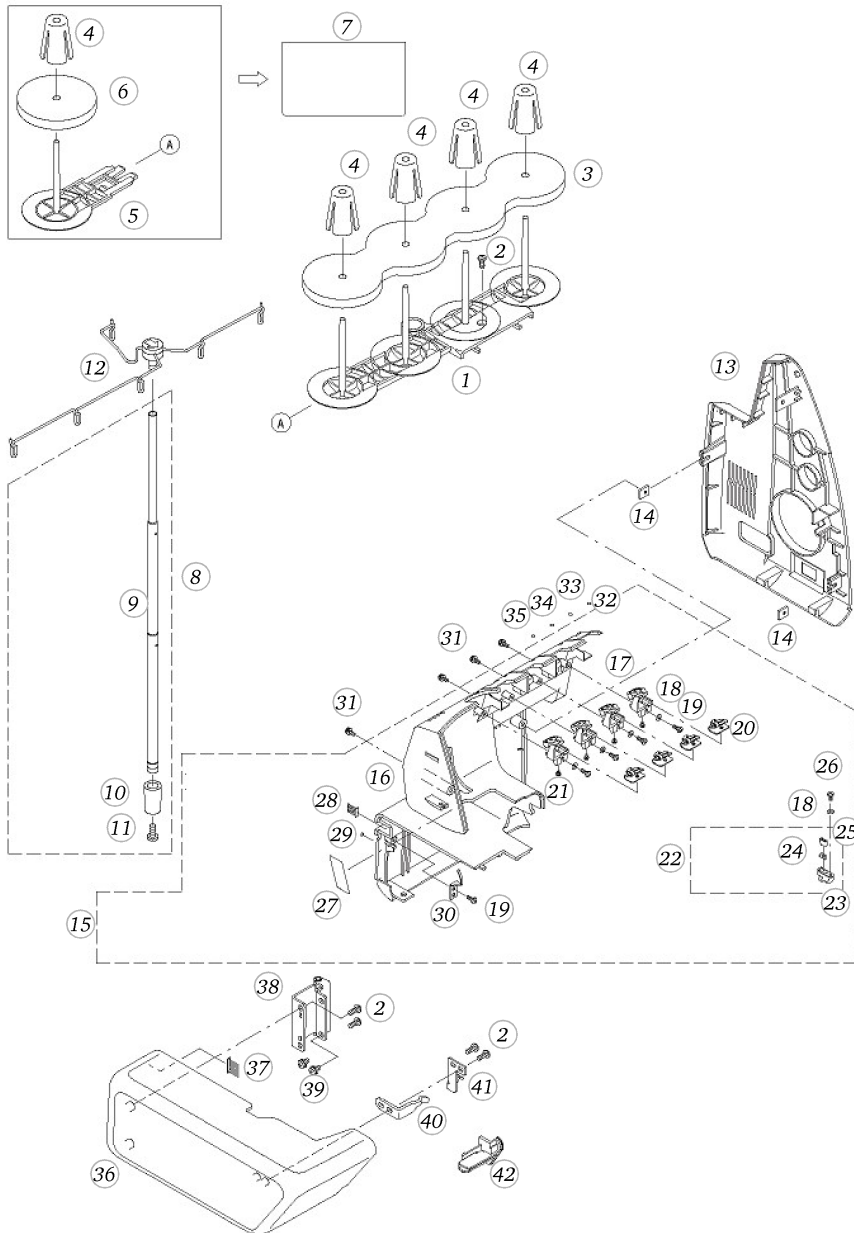
Thread stand (1300 MDC - UL / CSA)



Pos	Item number	Description	Supplier Part no.
35	5020105725	YELLOW SEAL (192 PIECE)	A3158776000
36	5020107249	CLOTH PLATE ASM.	A1104644000B
37	5020106752	THREAD GUIDE PILE B	
38	5020106813	CLOTH PLATE HINGE	A11615350A0
39	JSL4040855SN	SCREW	
40	5020105669	CLOTH PLATE OPENING SPRING	A1160634000
41	JA2154655000A	PLATE	
42	5020107251	CLOTH PLATE COVER	A1104345000

BERNINA 1150MDA

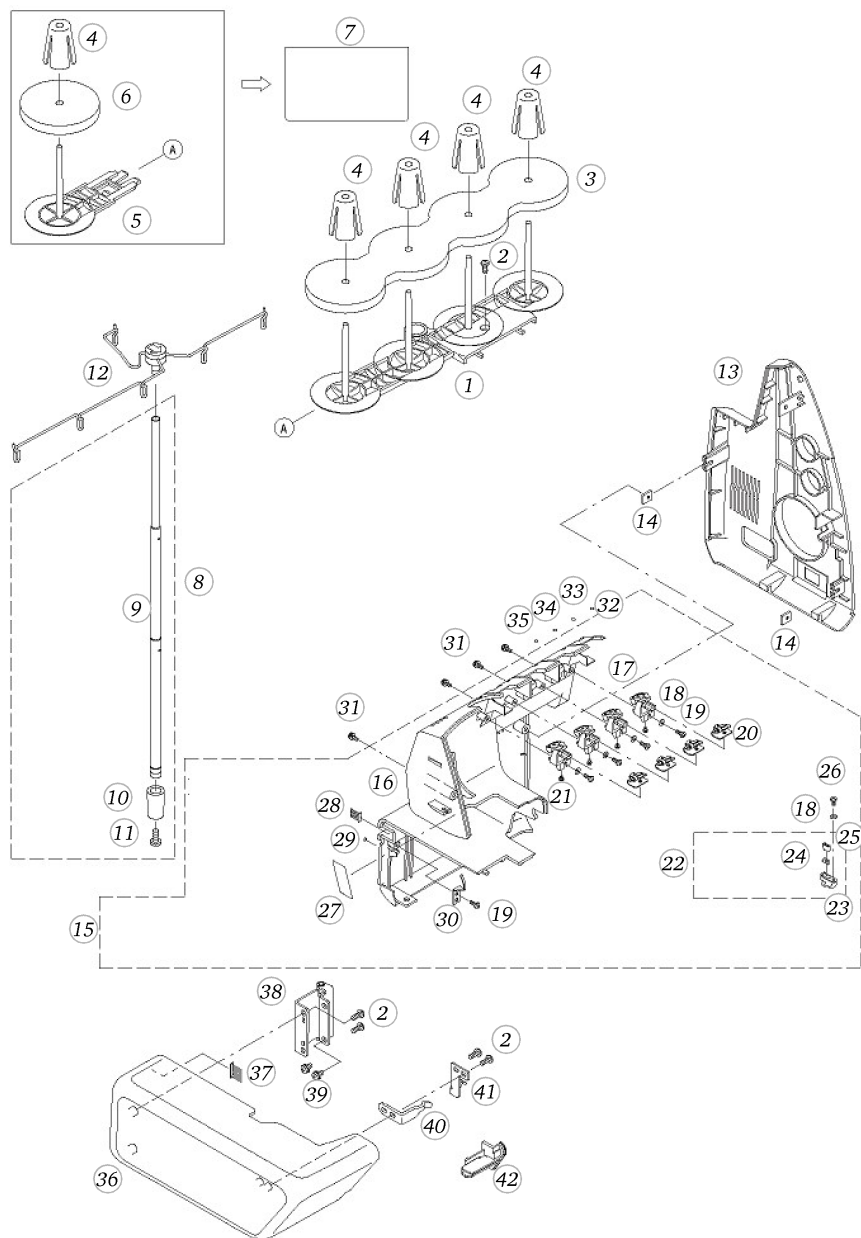
Thread stand (1300 MDC - CE / SAA)



Pos	Item number	Description	Supplier Part no.
1	5020105902	THREAD STAND	A1118779000
2	5020106115	SCREW	JST5041051SN
3	5020100054	FOAM PAD 2000	A1121776000
4	5020100875	SPOOL RETAINER 203	J50000103
5	5020106128	UPP.COVERING THR.SPOOL HOLDER	A1118779A00
6	5020106133	UPPER COV.THR.SPOOL SEAT	A9750779000
7	J0231082A00	THR.STAND ASM.FOR WIPER THREAD	
8	5020105990	SUPPORTING ROAD (ASM.)	A11207760A0B
9	5020107485	SUPPORTING ROD	J40082787
10	5020105991	SUPP.ROD SETTING BASE	A1129776000B
11	5020100831	SCREW	JSM5051255SN
12	5020106527	THREAD GUIDE	A11211300A0
13	5020107240	BELT COVER	A110313M000
14	5020106837	NUT	A3151535000
15	5020107242	REAR COVER	A110613M0A0
16	5020107245	REAR COVER	A110613M000
17	5020106754	1ST THREAD GUIDE	A3303110000A
18	5020100849	WASHER	JWP0320501SC
19	5020100847	SCREW	JST5030851SN
20	5020100464	1ST THREAD GUIDE ASM.	A31017760A0
21	5020100798	SCREW	
22	5020105665	THR.CUTTER BASE PLATE(ASM.)	A11381100A0
23	5020105437	THR.CUTTER BASE PLATE	
24	5020105338	THREAD CUTTER	
25	5020106811	THREAD CUTTER HOLDER	
26	5020100846	SCREW	
27	5020105721	NEEDLE ATTACHING LABEL	
28	5020106751	THREAD TENSION PILE A	
29	JA3154335000A	PURPLE	
30	5020105389	THREAD GUIDE	
31	5020100803	SCREW	JSL5030831SF
32	5020105723	RED SEAL (192 PIECE)	A3151335000
33	5020105722	BLUE SEAL (192 PIECE)	A3150335000
34	5020105724	GREEN SEAL (192 PIECE)	A3157776000

BERNINA 1150MDA

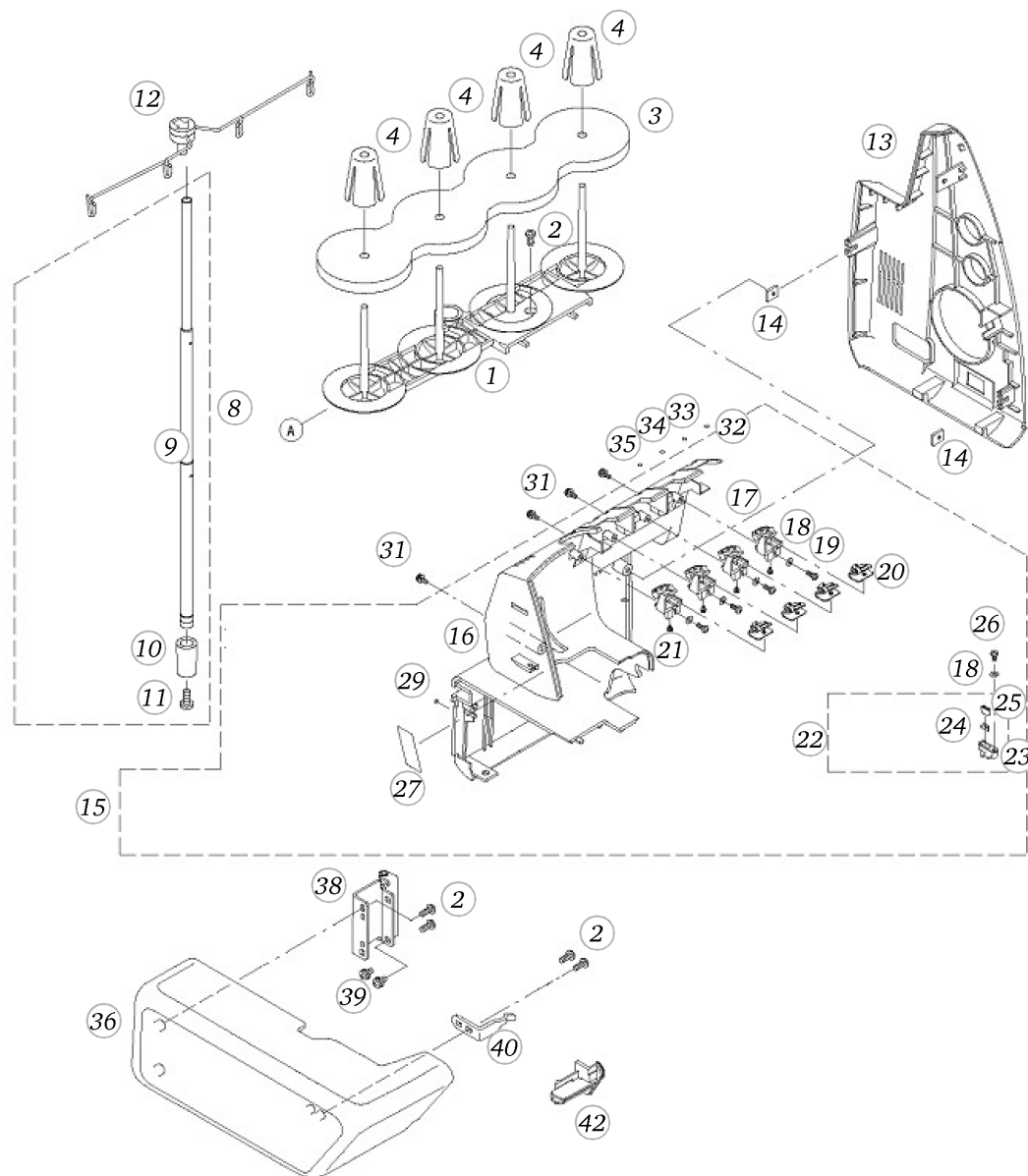
Thread stand (1300 MDC - CE / SAA)



Pos	Item number	Description	Supplier Part no.
35	5020105725	YELLOW SEAL (192 PIECE)	A3158776000
36	5020107249	CLOTH PLATE ASM.	A1104644000B
37	5020106752	THREAD GUIDE PILE B	
38	5020106813	CLOTH PLATE HINGE	A11615350A0
39	JSL4040855SN	SCREW	
40	5020105669	CLOTH PLATE OPENING SPRING	A1160634000
41	JA2154655000A	PLATE	
42	5020107251	CLOTH PLATE COVER	A1104345000

BERNINA 1150MDA

Thread stand (1150 MDA)

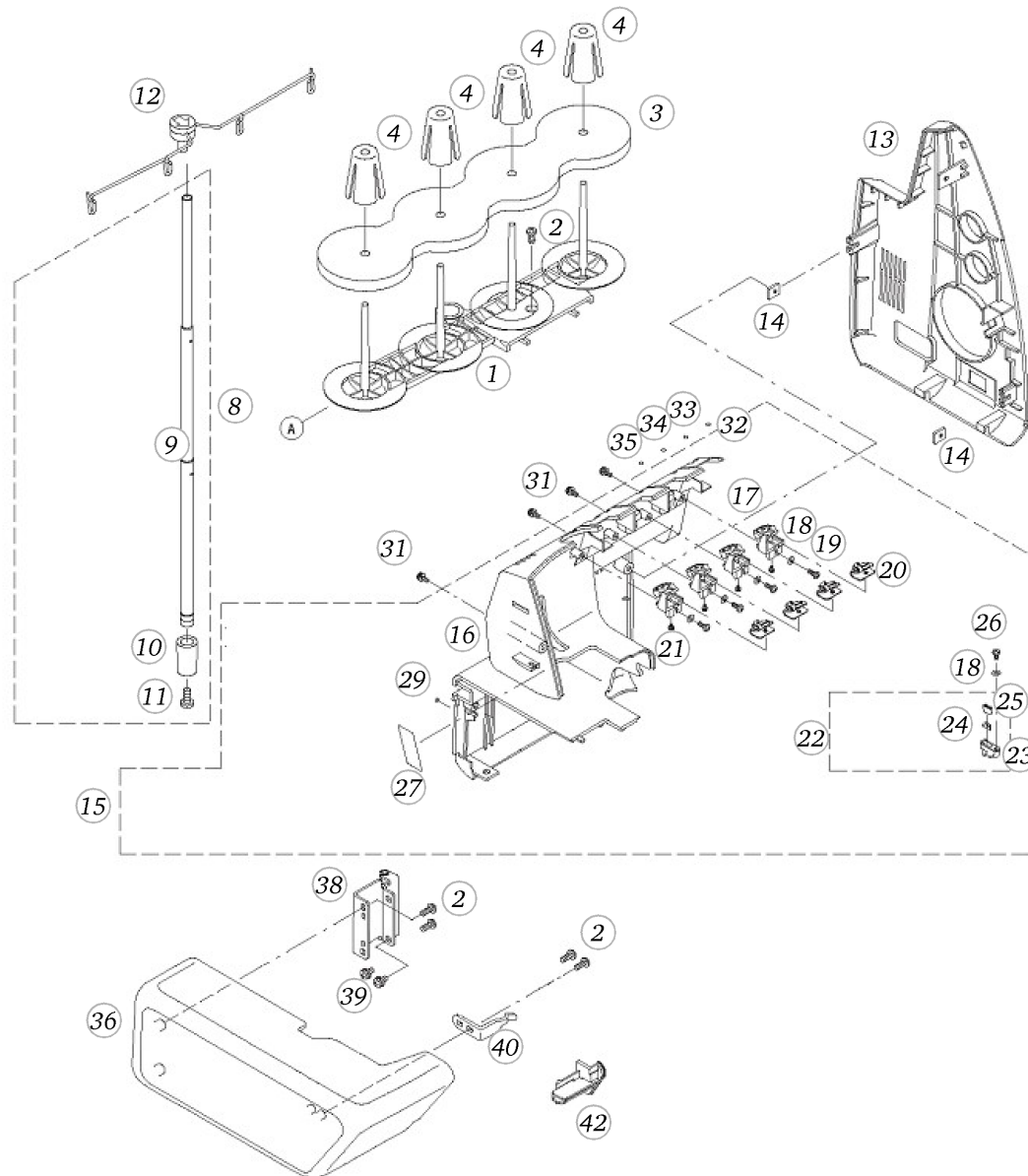


Pos	Item number	Description	Supplier Part no.
1	5020105989	SPOOL HOLDER DISK	A1118776000B
2	5020106115	SCREW	JST5041051SN
3	5020100054	FOAM PAD 2000	A1121776000
4	5020100875	SPOOL RETAINER 203	J50000103
8	5020105990	SUPPORTING ROAD (ASM.)	A11207760A0B
9	5020107485	SUPPORTING ROD	J40082787
10	5020105991	SUPP.ROD SETTING BASE	A1129776000B
11	5020100831	SCREW	JSM5051255SN
12	5020105435	SPOOL HOLDER THR.GUIDE(ASM.)	A11211100A0
13	5020107254	BELT COVER	A110311M000
14	5020106837	NUT	A3151535000
15	5020106626	REAR COVER (ASM)	A11063240A0
16	5020106625	REAR COVER	A1106324000
17	5020106754	1ST THREAD GUIDE	A3303110000A
18	5020100849	WASHER	JWP0320501SC
19	5020100847	SCREW	JST5030851SN
20	5020100464	1ST THREAD GUIDE ASM.	A31017760A0
21	5020100798	SCREW	
22	5020105665	THR.CUTTER BASE PLATE(ASM.)	A11381100A0
23	5020105437	THR.CUTTER BASE PLATE	
24	5020105338	THREAD CUTTER	
25	5020106811	THREAD CUTTER HOLDER	
26	5020100846	SCREW	
27	5020105719	NEEDLE ATTACHING LABEL	A312111A000
29	JA3154335000A	PURPLE	
31	5020100803	SCREW	JSL5030831SF
32	5020105723	RED SEAL (192 PIECE)	A3151335000
33	5020105722	BLUE SEAL (192 PIECE)	A3150335000
34	5020105724	GREEN SEAL (192 PIECE)	A3157776000
35	5020105725	YELLOW SEAL (192 PIECE)	A3158776000
36	5020107249	CLOTH PLATE ASM.	A1104644000B
38	5020106813	CLOTH PLATE HINGE	A11615350A0
39	JSL4040855SN	SCREW	
40	5020105669	CLOTH PLATE OPENING SPRING	A1160634000

BERNINA 1150MDA

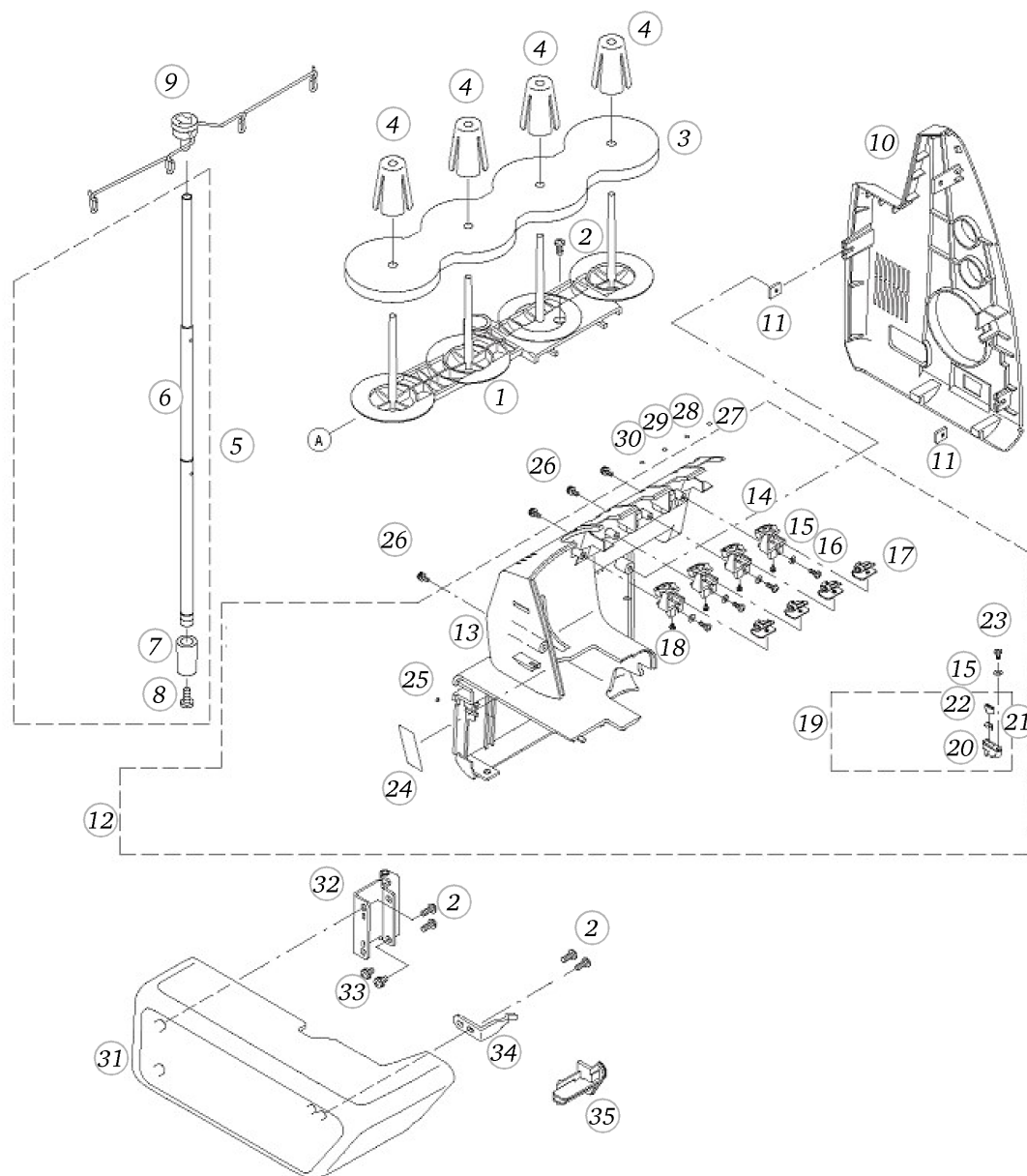
Thread stand (1150 MDA)

Pos	Item number	Description	Supplier Part no.
42	5020107251	CLOTH PLATE COVER	A1104345000



BERNINA 1150MDA

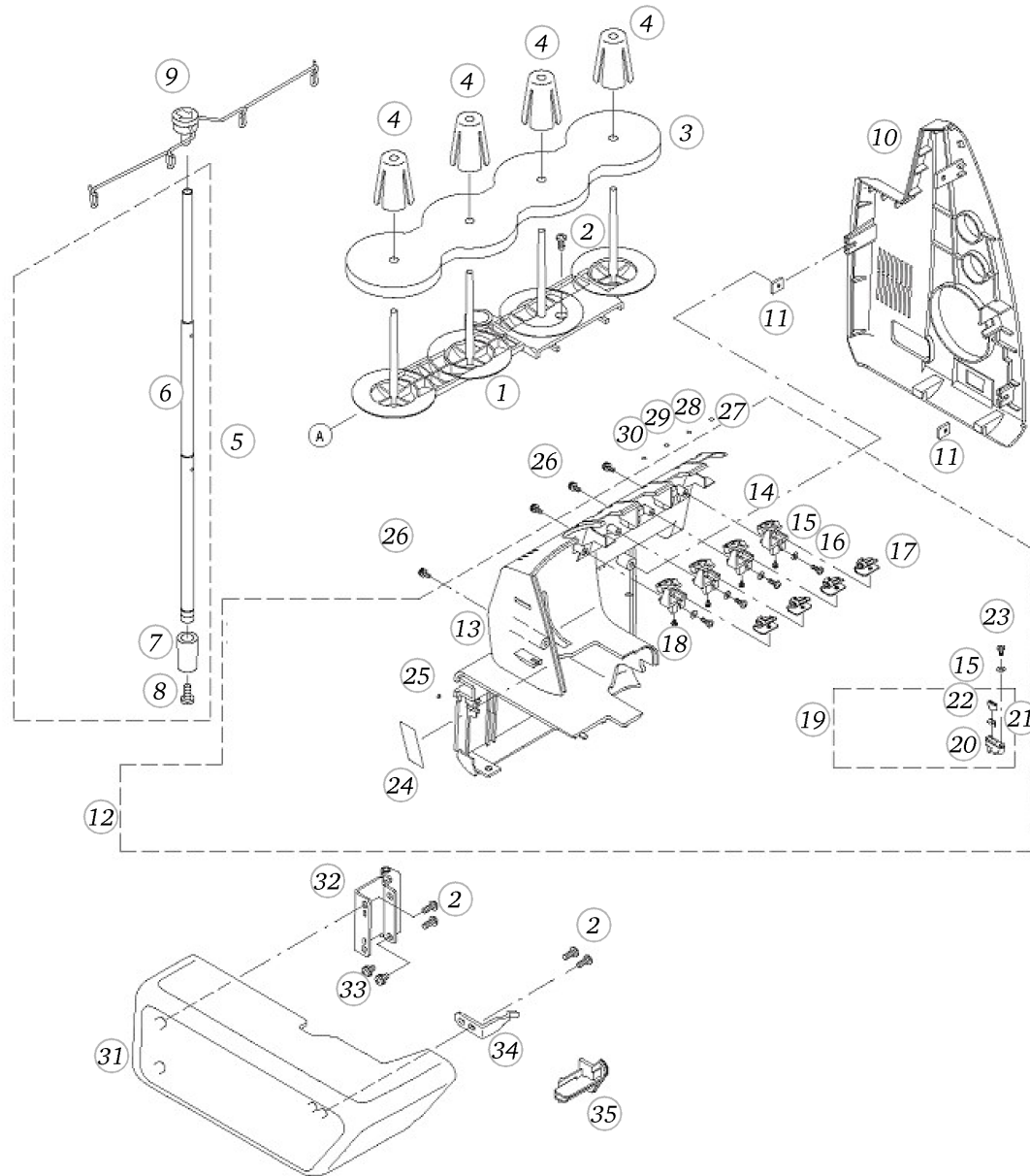
Thread stand (1200 MDA)



Pos	Item number	Description	Supplier Part no.
1	5020105989	SPOOL HOLDER DISK	A1118776000B
2	5020106115	SCREW	JST5041051SN
3	5020100054	FOAM PAD 2000	A1121776000
4	5020100875	SPOOL RETAINER 203	J50000103
5	5020105990	SUPPORTING ROAD (ASM.)	A11207760A0B
6	5020107485	SUPPORTING ROD	J40082787
7	5020105991	SUPP.ROD SETTING BASE	A1129776000B
8	5020100831	SCREW	JSM5051255SN
9	5020105435	SPOOL HOLDER THR.GUIDE(ASM.)	A11211100A0
10	5020107240	BELT COVER	A110313M000
11	5020106837	NUT	A3151535000
12	5020106626	REAR COVER (ASM)	A11063240A0
13	5020106625	REAR COVER	A1106324000
14	5020106754	1ST THREAD GUIDE	A3303110000A
15	5020100849	WASHER	JWP0320501SC
16	5020100847	SCREW	JST5030851SN
17	5020100464	1ST THREAD GUIDE ASM.	A31017760A0
18	5020100798	SCREW	
19	5020105665	THR.CUTTER BASE PLATE(ASM.)	A11381100A0
20	5020105437	THR.CUTTER BASE PLATE	
21	5020105338	THREAD CUTTER	
22	5020106811	THREAD CUTTER HOLDER	
23	5020100846	SCREW	
24	5020105719	NEEDLE ATTACHING LABEL	A312111A000
25	JA3154335000A	PURPLE	
26	5020100803	SCREW	JSL5030831SF
27	5020105723	RED SEAL (192 PIECE)	A3151335000
28	5020105722	BLUE SEAL (192 PIECE)	A3150335000
29	5020105724	GREEN SEAL (192 PIECE)	A3157776000
30	5020105725	YELLOW SEAL (192 PIECE)	A3158776000
31	5020107249	CLOTH PLATE ASM.	A1104644000B
32	5020106813	CLOTH PLATE HINGE	A11615350A0
33	JSL4040855SN	SCREW	
34	5020105669	CLOTH PLATE OPENING SPRING	A1160634000

BERNINA 1150MDA

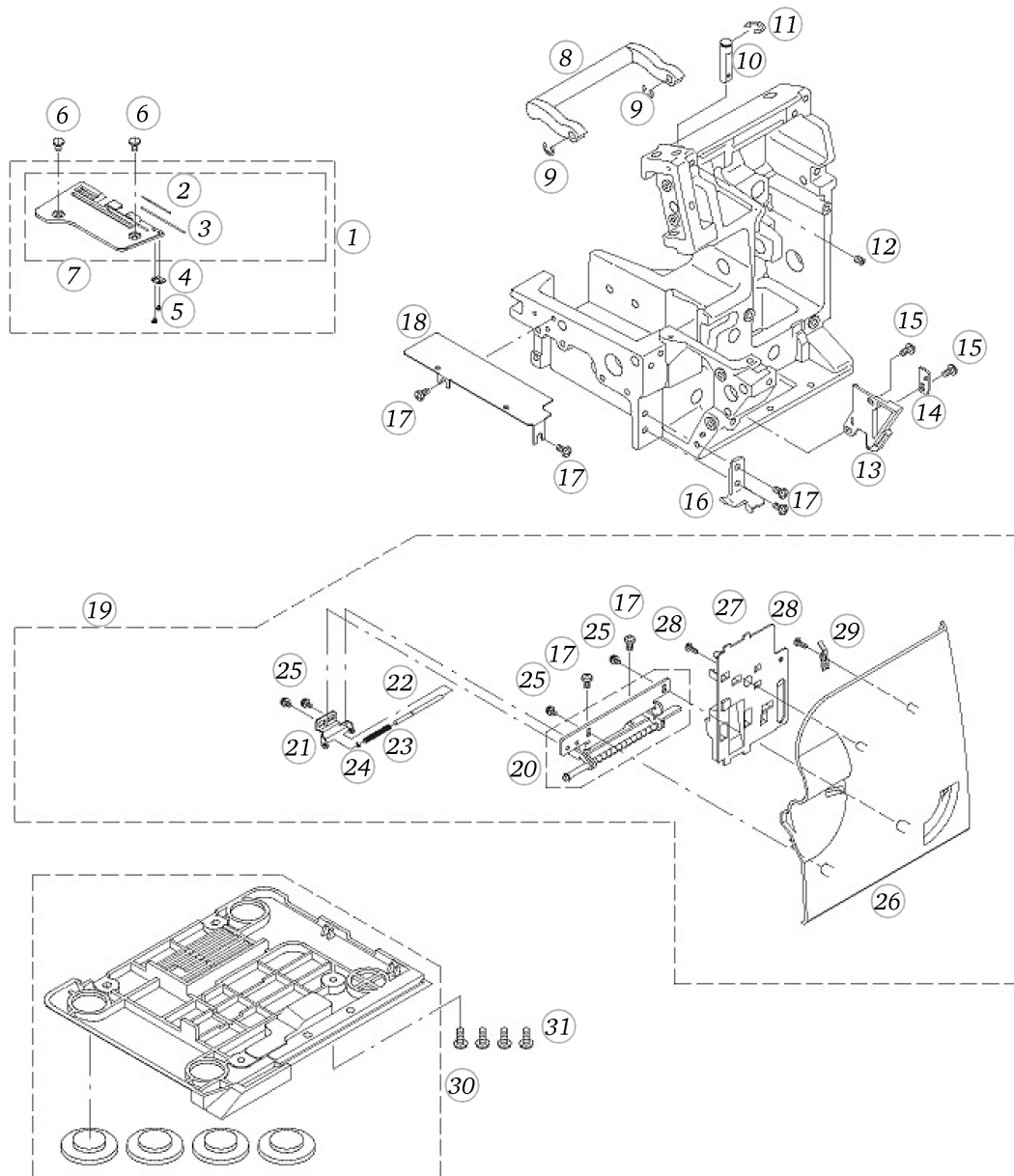
Thread stand (1200 MDA)



Pos	Item number	Description	Supplier Part no.
35	5020107251	CLOTH PLATE COVER	A1104345000

BERNINA 1150MDA

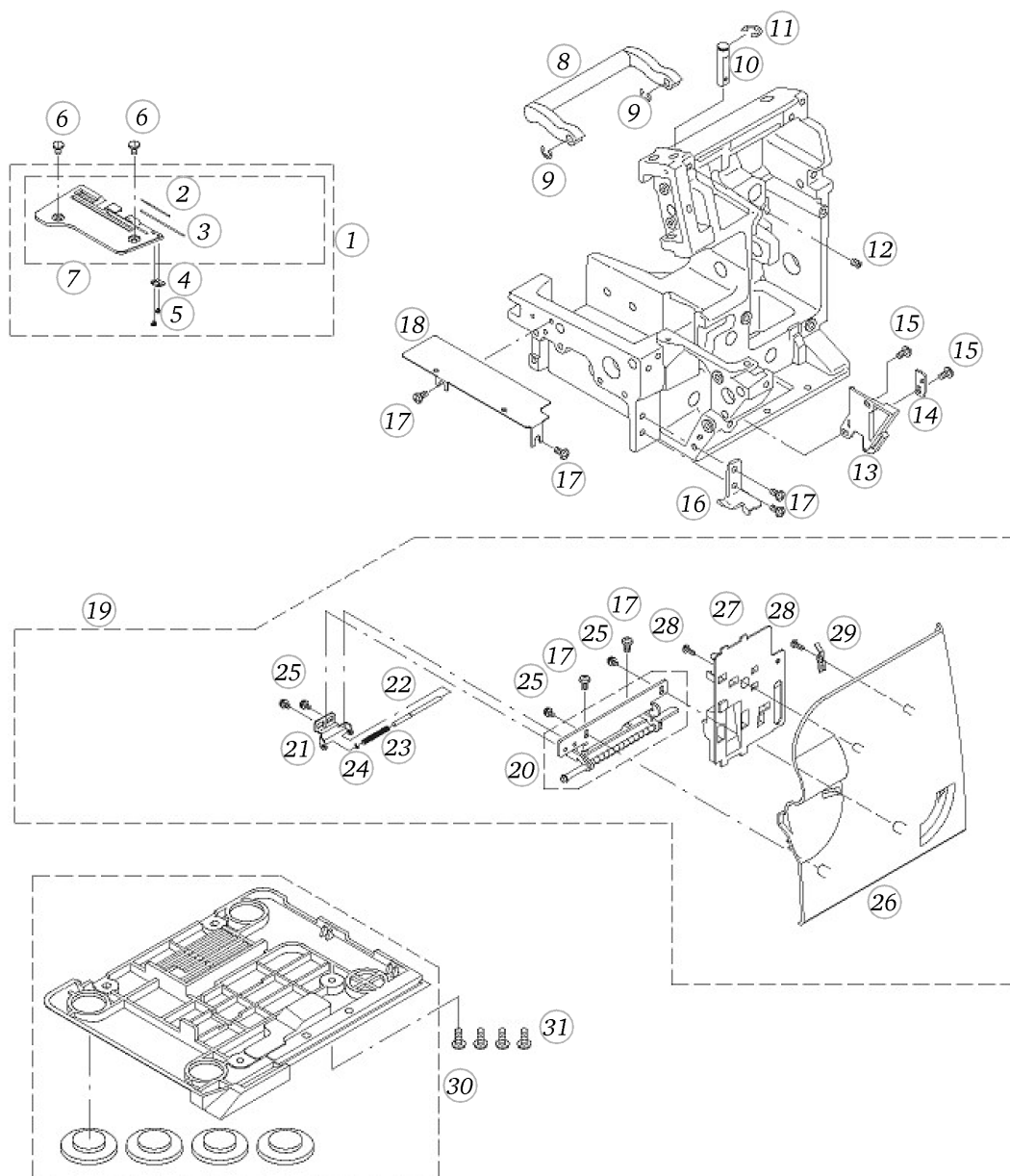
Foundations (1150 MDA)



Pos	Item number	Description	Supplier Part no.
1	5020107047	THROAT PLATE	A111511M0B0
2	5020107354	ROLL HEM PIN 334	A1142234B00
3	5020100043	STITCH PLATE PIN	A1116334000
4	5020107146	Presser spring	A113113M000
5	5020107147	SCREW	
6	5020106810	SCREW	A1138335000
7	A111511M0A0	STITCH PLATE	
8	5020105439	HANDLE	A1145110000
9	5020100796	E-RING	JRE0500000K0
10	5020105475	GUIDE PLATE SUPP.SHAFT	
11	RE0700000K0	E-RING	
12	5020100839	SCREW	JSM8050602TP
13	5020105445	LOOPER COVER GUIDE	A1156110000
14	5020105361	PLATE	
15	5020106602	SCREW	SM4040855SN
16	5020106814	CLOTH PLATE PRESSER PLATE	A1164535000
17	5020100828	SCREW	JSM5040855SN
18	0000000999	(no longer available)	
18	5020106809	UP COVER	A1135535000
19	5020107199	LOOPER COVER ASM.	A115111M0B0
20	5020105668	LOOPER COVER HINGE(ASM) 1	A115311A0A0
21	A115811A000	PLATE	
22	5020107436	SAFETY SWITCH PRESSER PIN	
23	A1159535000	SPRING	
24	5020100792	E-RING	JRE0200000K0
25	5020100800	SCREW	JSL4030631SC
26	5020107178	LOOPER COVER	A115111M0A0
27	5020105446	ACCESSORY ENCL.PLATE	A1157776000B
28	5020100847	SCREW	JST5030851SN
29	5020100105	LOOPER COVER ADJ.PLATE	A1156776000
30	5020106616	BASE PLATE (ASM)	A110210D0A0
31	5020100831	SCREW	JSM5051255SN

BERNINA 1150MDA

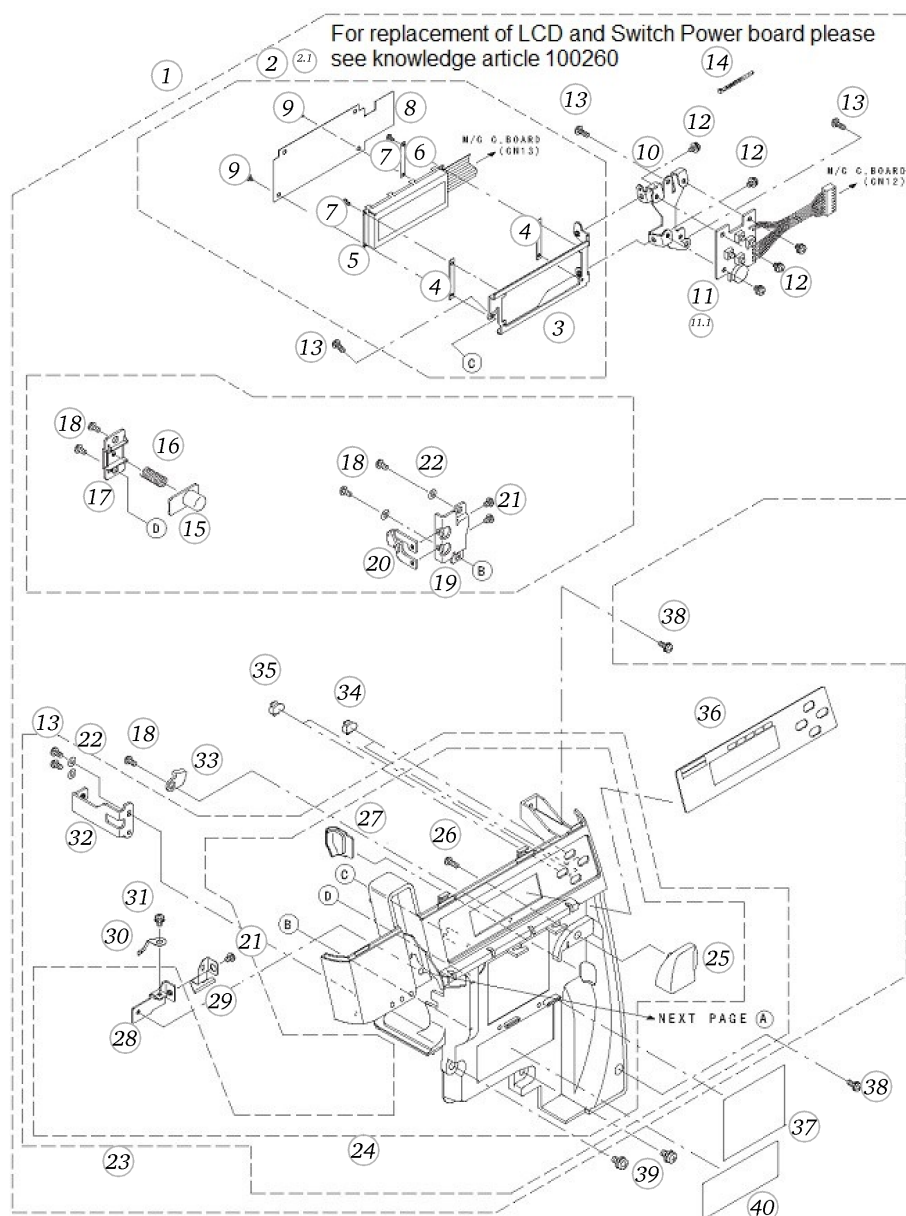
Foundations (1200 MDA)



Pos	Item number	Description	Supplier Part no.
1	5020107047	THROAT PLATE	A111511M0B0
2	5020107354	ROLL HEM PIN 334	A1142234B00
3	5020100043	STITCH PLATE PIN	A1116334000
4	5020107146	Presser spring	A113113M000
5	5020107147	SCREW	
6	5020106810	SCREW	A1138335000
7	A111511M0A0	STITCH PLATE	
8	5020105439	HANDLE	A1145110000
9	5020100796	E-RING	JRE0500000K0
10	5020105475	GUIDE PLATE SUPP.SHAFT	
11	RE0700000K0	E-RING	
12	5020100839	SCREW	JSM8050602TP
13	5020105445	LOOPER COVER GUIDE	A1156110000
14	5020105361	PLATE	
15	5020106602	SCREW	SM4040855SN
16	5020106814	CLOTH PLATE PRESSER PLATE	A1164535000
17	5020100828	SCREW	JSM5040855SN
18	0000000999	(no longer available)	
18	5020106809	UP COVER	A1135535000
19	5020107387	LOOPER COVER	A115112M0B0
20	5020105668	LOOPER COVER HINGE(ASM) 1	A115311A0A0
21	A115811A000	PLATE	
22	5020107436	SAFETY SWITCH PRESSER PIN	
23	A1159535000	SPRING	
24	5020100792	E-RING	JRE0200000K0
25	5020100800	SCREW	JSL4030631SC
26	JA115112M0A0	LOOPER COVER 1200MDA	
27	5020105446	ACCESSORY ENCL.PLATE	A1157776000B
28	5020100847	SCREW	JST5030851SN
29	5020100105	LOOPER COVER ADJ.PLATE	A1156776000
30	5020106616	BASE PLATE (ASM)	A110210D0A0
31	5020100831	SCREW	JSM5051255SN

BERNINA 1150MDA

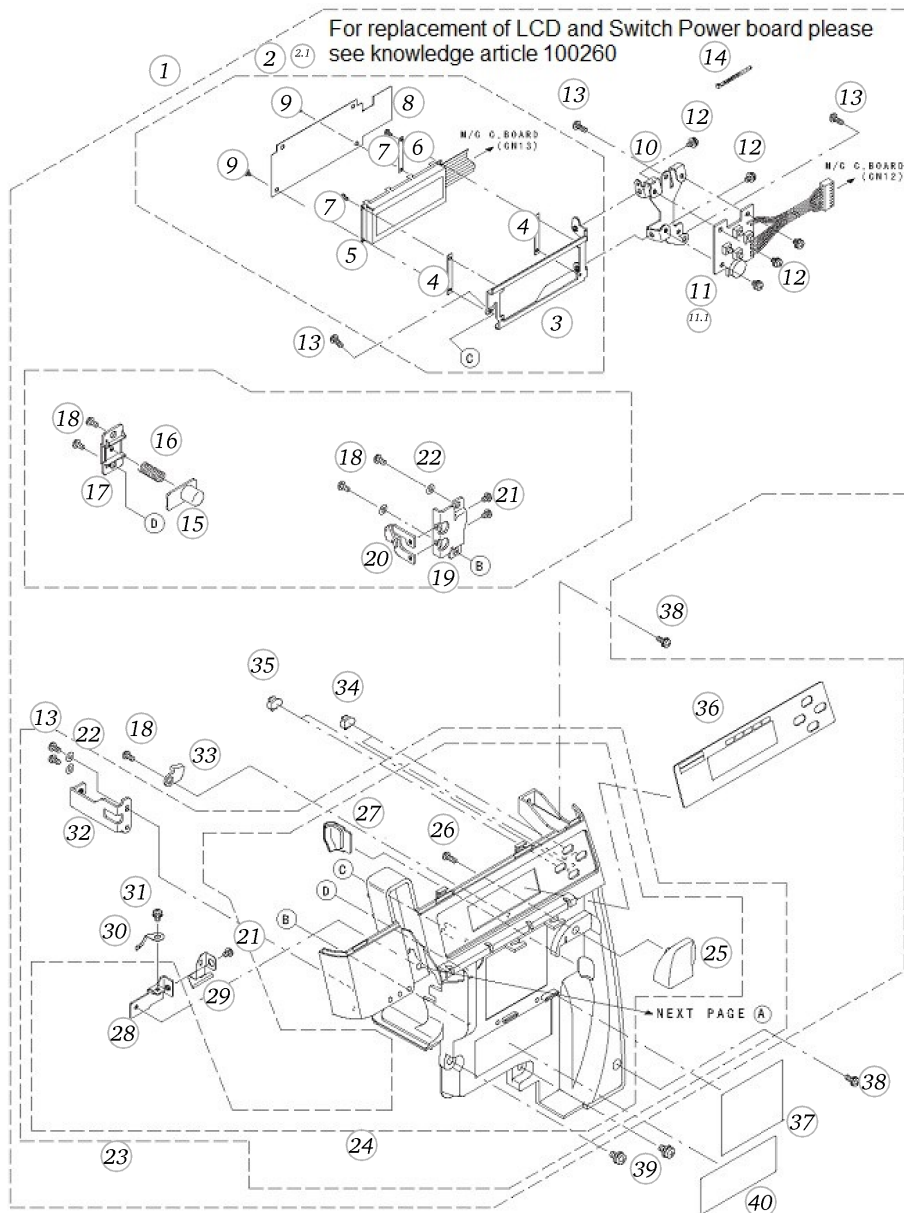
Front cover (1300 MDC)



Pos	Item number	Description	Supplier Part no.
1	5020107243	Front Cover 1300MDC	A310113M0B0
2	5020106528	LCD SCREEN	A36011300A0
2.1	5020109178	LCD SCREEN	40127439
3	5020106755	LCD DISPLAY HOLDER	
4	5020106761	LCD INSULATING PLATE	
5	A36051300A0	LCD DISPLAY	
6	5020106765	LCD GUIDE BOARD	
7	5020106603	SCREW	
8	5020106756	LCD PROTECTING SHEET	
9	5020100798	SCREW	
10	5020106763	Umschalteplatte	A3807130000
11	5020107049	SWITCH BOARD	A38051300A0A
11.1	5020109179	SWITCH BOARD	40123096
12	5020100801	SCREW	
13	5020100847	SCREW	JST5030851SN
14	5020100549	BAND	
15	5020106775	UPPER KNIFE RELEASE CANCEL SWITCH	
16	5020105478	SPRING	
17	5020106776	CANCEL SWITCH BOARD	
18	5020100846	SCREW	
19	5020106783	UPPER KNIFE RELEASE PLATE FIXING	
20	5020106860	UPPER KNIFE RELEASE PLATE	
21	5020100822	SCREW	
22	5020100849	WASHER	JWP0320501SC
23	5020107255	FRONT COVER 1300MDC (ASM.)	A310113M0A0
24	A310113MKA0	FRONT COVER 1300MDC	
25	5020105443	LOOPER COVER GUIDE PLATE	A1152110000
26	5020106605	SCREW	ST5031051SN
27	A314013M000	UNKNOWN	
28	5020106744	NEEDLE THREAD TAKEUP FIXING PLATE	
29	5020106774	SPRING	
30	A3199E50000	GUIDE	
31	5020100802	SCREW	JSL5030631SF
32	5020105495	FRONT COVER INSTALL.HOLDER	

BERNINA 1150MDA

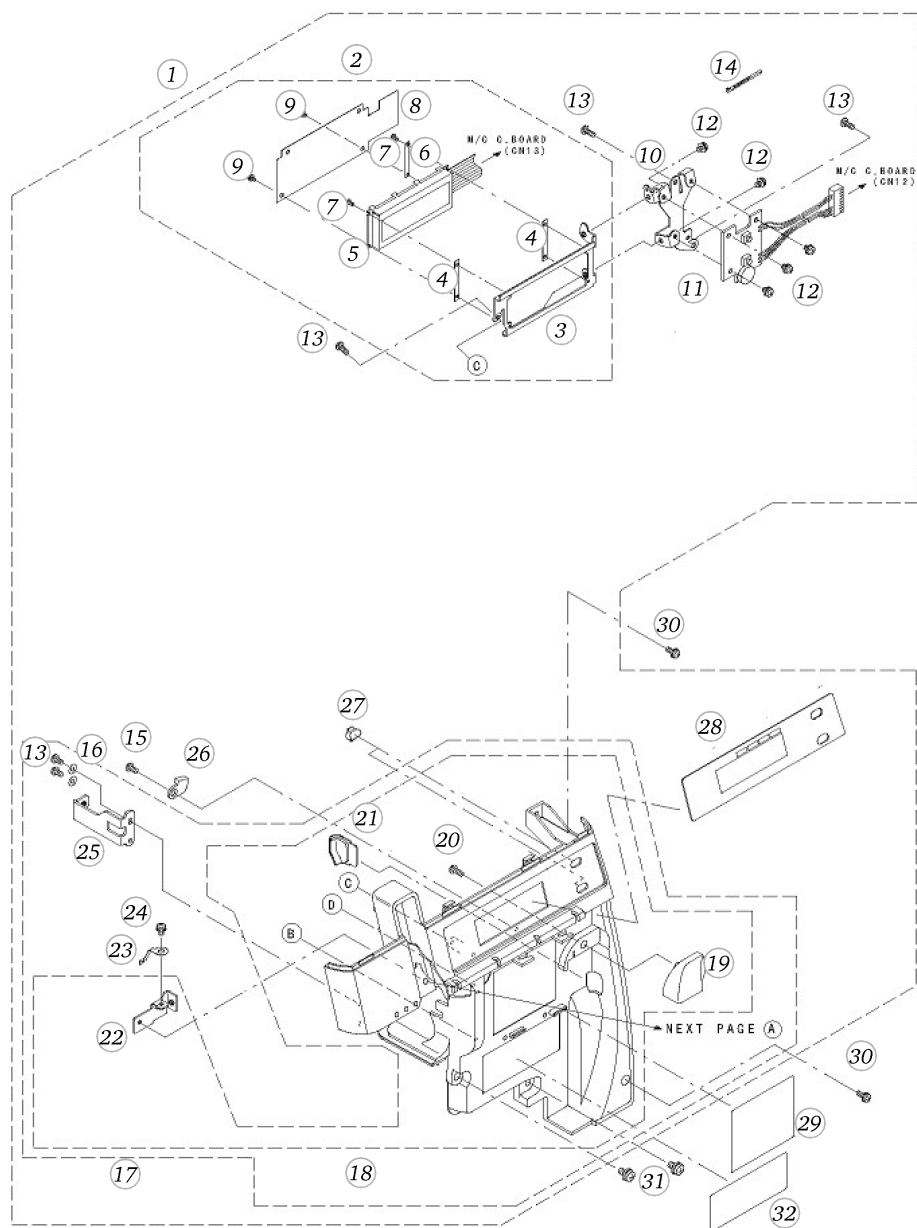
Front cover (1300 MDC)



Pos	Item number	Description	Supplier Part no.
33	5020105612	UPPER LOOPER DRIV.ARM STOPPER	A2521777000A
34	5020106654	SWITCH BUTTON B	
35	5020106653	SWITCH BUTTON A	
36	5020107042	LCD DISPLAY	A360313M000
37	A119013M000	THREAD LEAD MAP 1300MDC	
38	5020100803	SCREW	JSL5030831SF
39	5020100807	SCREW	JSL5040835SN
40	A119213M000	UNKNOWN	

BERNINA 1150MDA

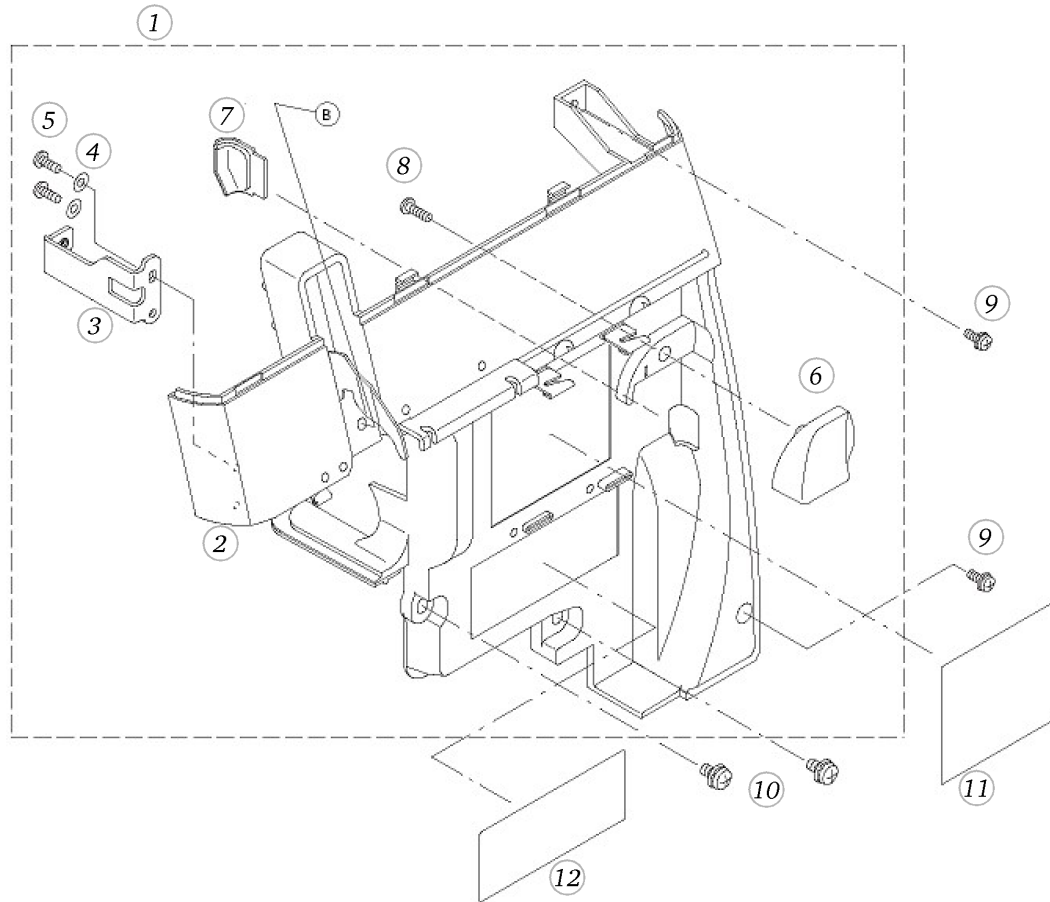
Front cover (1200 MDA)



Pos	Item number	Description	Supplier Part no.
1	5020107226	FRONT COVER (ASM)	A310112M0B0
2	5020106528	LCD SCREEN	A36011300A0
2	5020109178	LCD SCREEN	40127439
3	5020106755	LCD DISPLAY HOLDER	
4	5020106761	LCD INSULATING PLATE	
5	A36051300A0	LCD DISPLAY	
6	5020106765	LCD GUIDE BOARD	
7	5020106603	SCREW	
8	5020106756	LCD PROTECTING SHEET	
9	5020100798	SCREW	
10	5020106763	Umschalteplatte	A3807130000
11	5020107062	SWITCH BOARD	A380512A0A0A
12	5020100801	SCREW	
13	5020100847	SCREW	JST5030851SN
14	5020100549	BAND	
15	5020100846	SCREW	
16	5020100849	WASHER	JWP0320501SC
17	A310112M0A0	FRONT COVER 1200MDA (ASM.)	
18	A310112MKA0	FRONT COVER 1200MDA	
19	5020105443	LOOPER COVER GUIDE PLATE	A1152110000
20	5020106605	SCREW	ST5031051SN
21	A314013M000	UNKNOWN	
22	5020106744	NEEDLE THREAD TAKEUP FIXING PLATE	
23	A3199E50000	GUIDE	
24	5020100802	SCREW	JSL5030631SF
25	5020105495	FRONT COVER INSTALL.HOLDER	
26	5020105612	UPPER LOOPER DRIV.ARM STOPPER	A2521777000A
27	5020106654	SWITCH BUTTON B	
28	5020107046	LCD DISPLAY	A360312M000
29	A119011M000	THREAD LEAD MAP 1200MDA	
30	5020100803	SCREW	JSL5030831SF
31	5020100807	SCREW	JSL5040835SN
32	A119213M000	UNKNOWN	

BERNINA 1150MDA

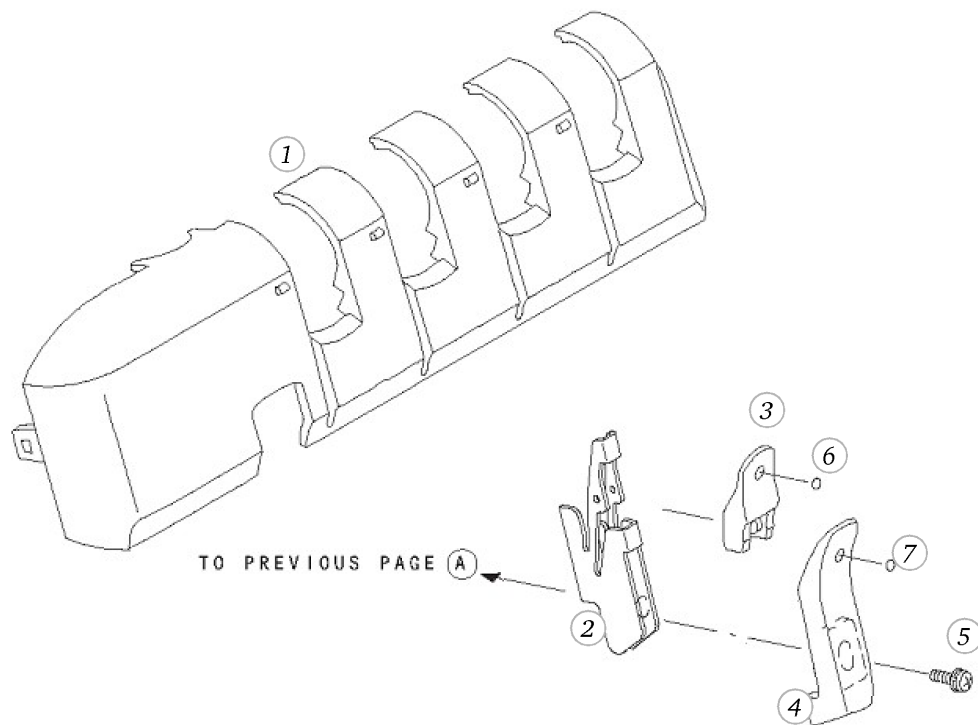
Front cover (1150 MDA)



Pos	Item number	Description	Supplier Part no.
1	5020107635	FRONT COVER(ASM.)	J40078399
2	A310111MKA0	FRONT COVER 1150MDA(SUB.ASM)	
3	5020105495	FRONT COVER INSTALL.HOLDER	
4	5020100849	WASHER	JWP0320501SC
5	5020100847	SCREW	JST5030851SN
6	5020105443	LOOPER COVER GUIDE PLATE	A1152110000
7	A314013M000	UNKNOWN	
8	5020106605	SCREW	ST5031051SN
9	5020100803	SCREW	JSL5030831SF
10	5020100807	SCREW	JSL5040835SN
11	A119011M000	THREAD LEAD MAP 1200MDA	
12	A119213M000	UNKNOWN	

BERNINA 1150MDA

Thread tension (1300 MDA)

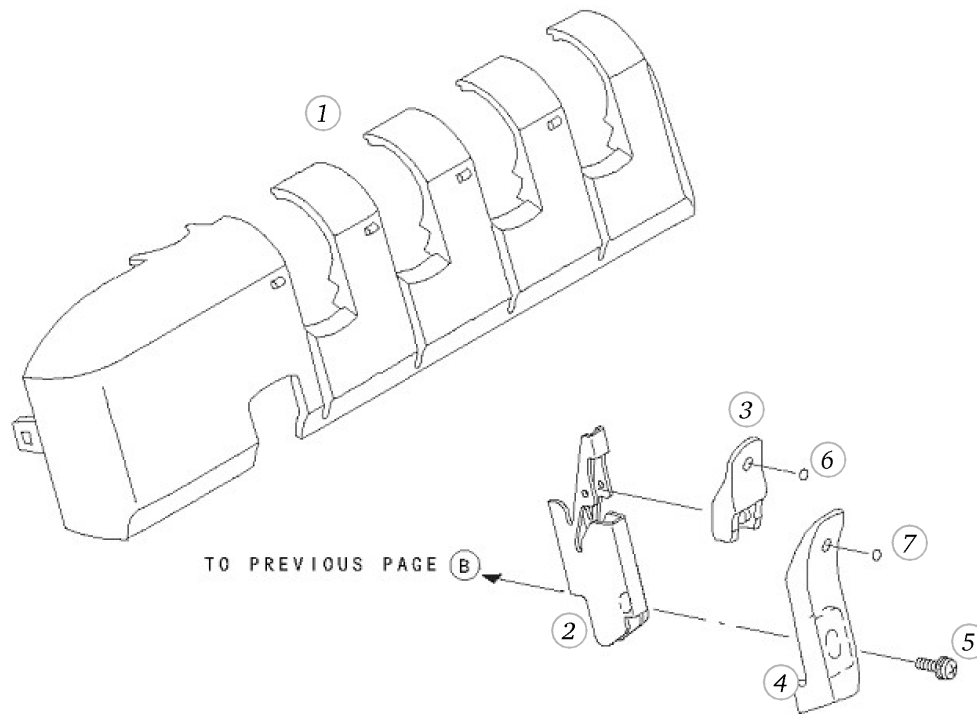


Pos	Item number	Description	Supplier Part no.
1	5020107043	THREAD TENSION COVER	A310213M000
2	5020106743	NEEDLE THREAD TAKEUP GUIDE	A3115130000
3	5020106896	NEEDLE THR.TAKE-UP GUIDE COVER B	A3117110000A
4	5020106835	NEEDLE THREAD TAKEUP GUID	A3116110000A
5	5020100804	SCREW	
6	5020107177	DECAL TAKE-UP-LEVER COVER	A315613M000
7	5020106029	COLOUR SEAL YELLOW/GREEN	A3181324000

BERNINA 1150MDA

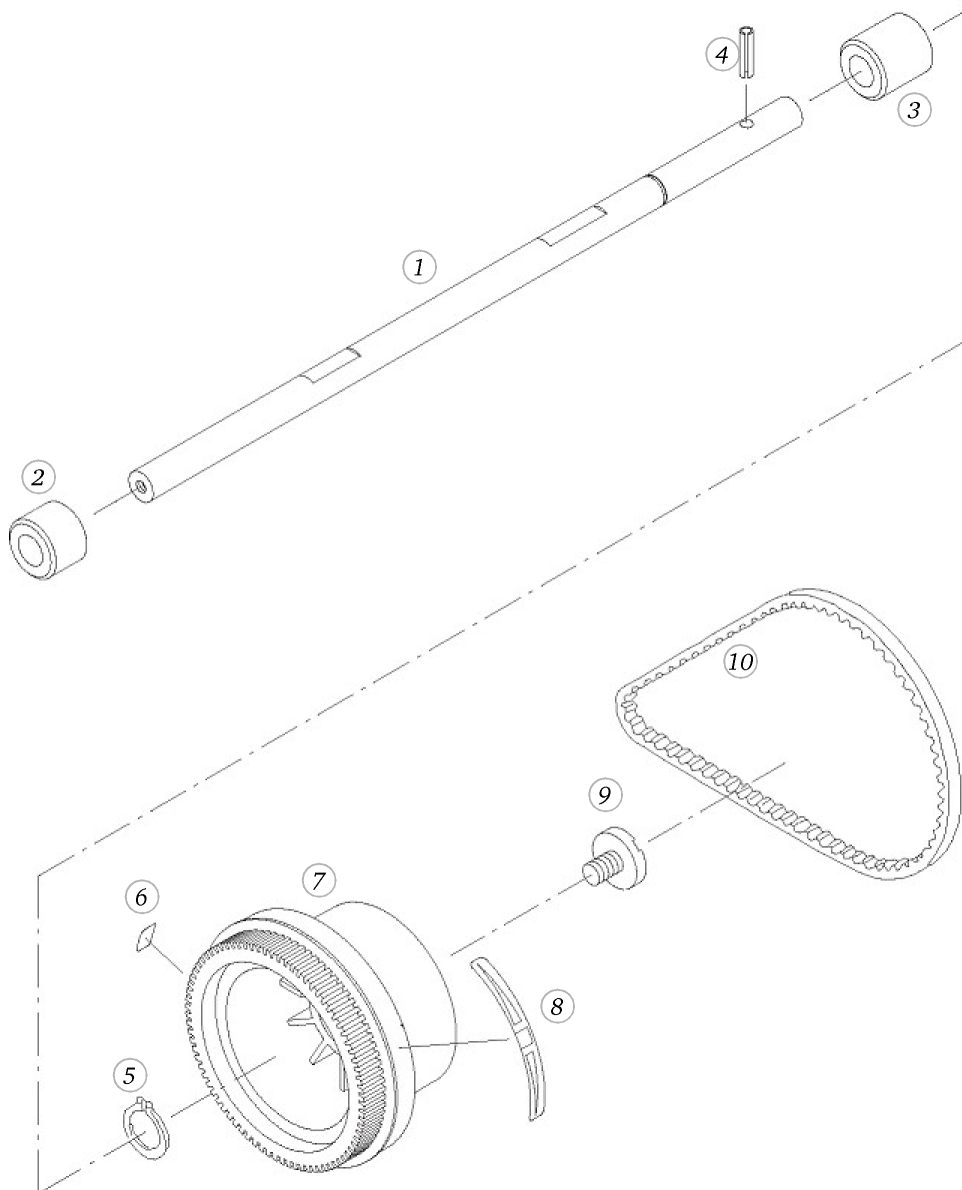
Thread tension (1150MDA/1200MDA)

Pos	Item number	Description	Supplier Part no.
1	5020107048	THREAD TENSION COVER	A310211M000
2	5020105492	NEEDLE THR.TAKE-UP GUIDE COVER	A3115110000
3	5020106896	NEEDLE THR.TAKE-UP GUIDE COVER B	A3117110000A
4	5020106835	NEEDLE THREAD TAKEUP GUID	A3116110000A
5	5020100804	SCREW	
6	5020105725	YELLOW SEAL (192 PIECE)	A3158776000
7	5020105724	GREEN SEAL (192 PIECE)	A3157776000



BERNINA 1150MDA

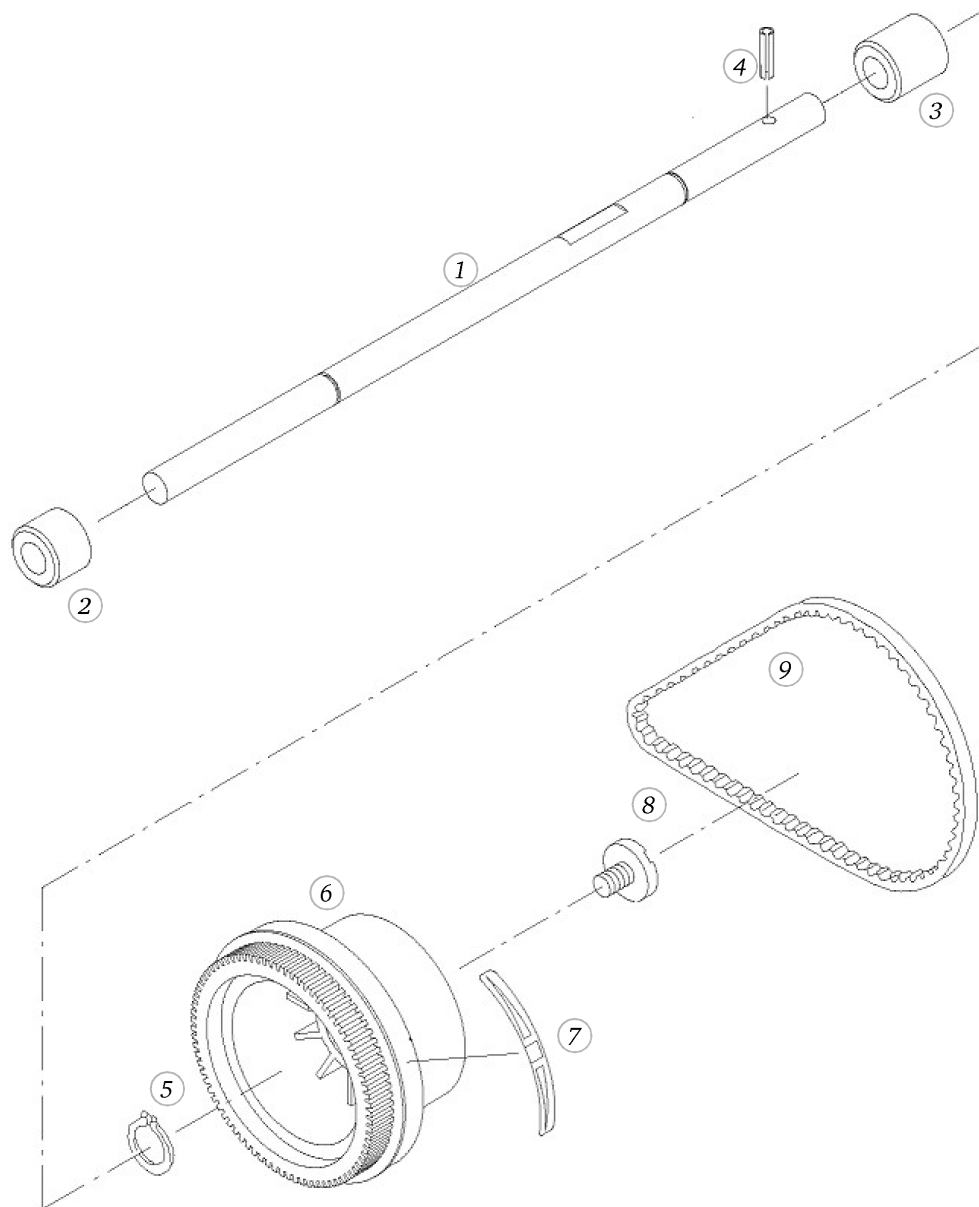
Main shaft with hand wheel (1300MDC)



Pos	Item number	Description	Supplier Part no.
1	5020106706	MAIN SHAFT	
2	5020106816	MAIN SHAFT BUSHING GEAR	
3	5020106815	MAIN SHAFT BUSHING GEAR	
4	5020100900	COILED PIN	
5	5020100137	C-RING	A1206102000
6	5020107155	CHANGE SEAL	A120413M000
7	5020107158	HANDWHEEL	A120213M000
8	5020107201	RED SEAL	A120313M000
9	5020100142	SCREW	A1230500000A
10	5020100136	TIMING BELT	A1205634000

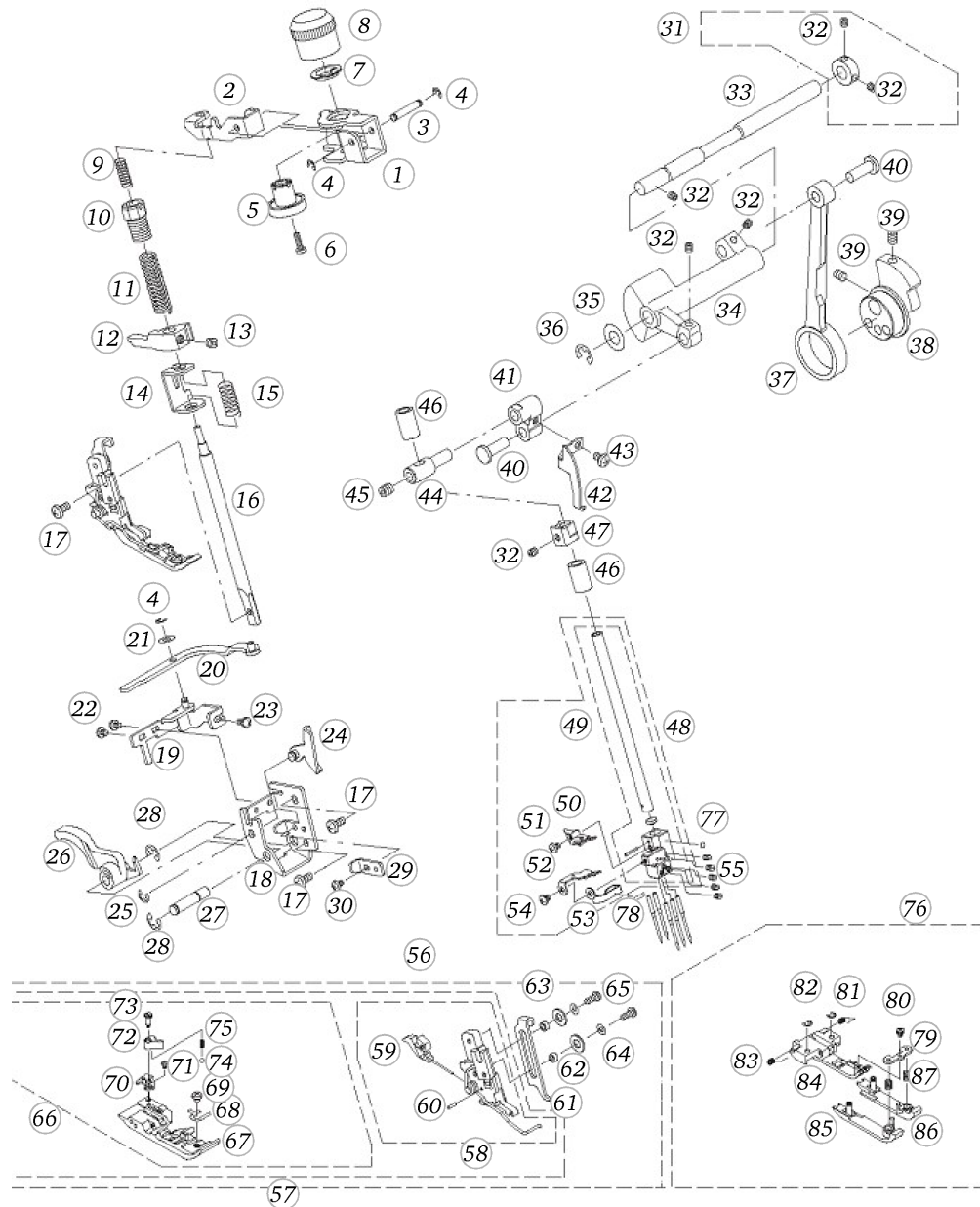
BERNINA 1150MDA

Main shaft with hand wheel (1150MDA/1200MDA)



Pos	Item number	Description	Supplier Part no.
1	5020107605	MAIN SHAFT	J40071771
2	5020106816	MAIN SHAFT BUSHING GEAR	
3	5020106815	MAIN SHAFT BUSHING GEAR	
4	5020100900	COILED PIN	
5	5020100137	C-RING	A1206102000
6	5020107158	HANDWHEEL	A120213M000
7	5020107201	RED SEAL	A120313M000
8	5020100142	SCREW	A1230500000A
9	5020100136	TIMING BELT	A1205634000

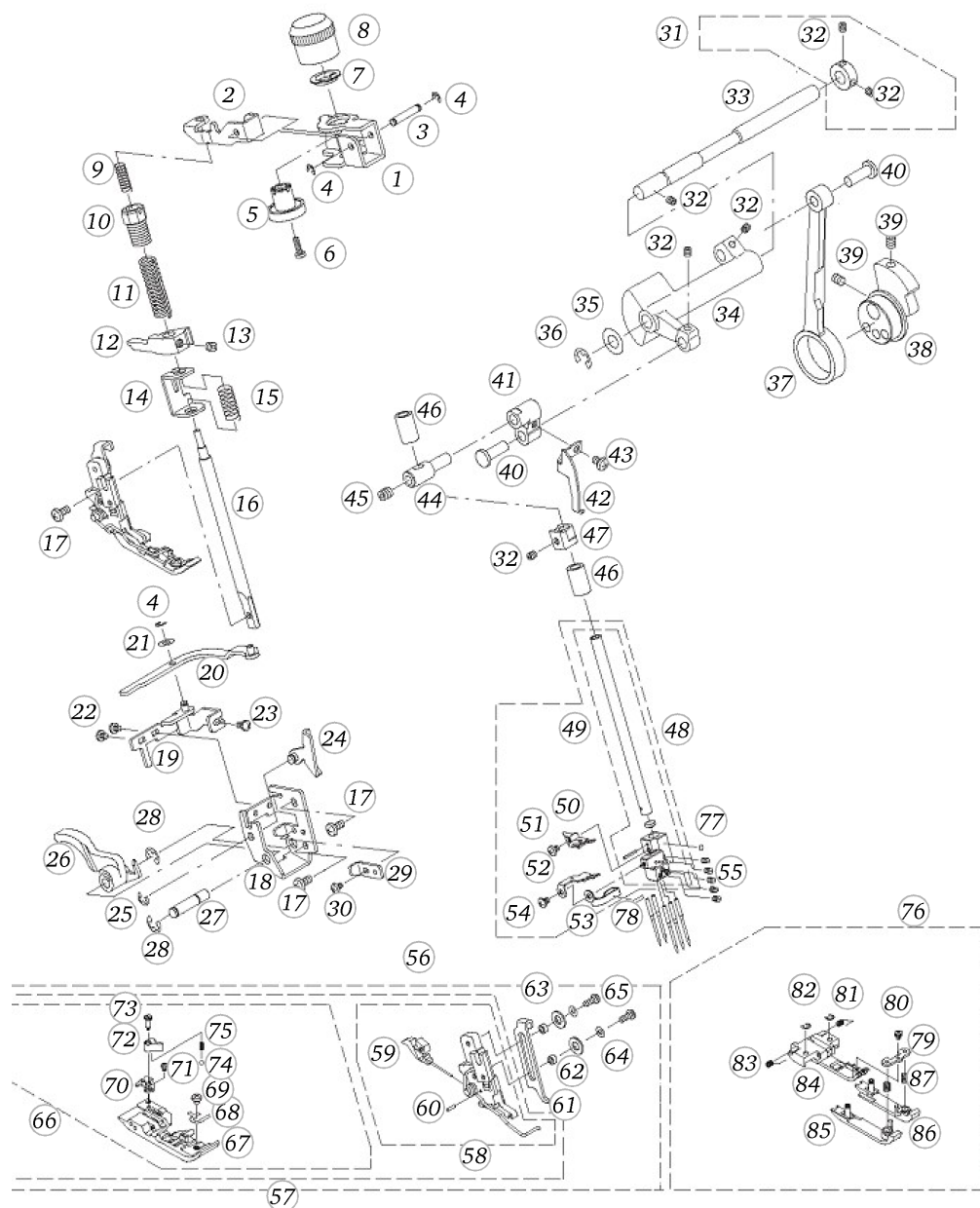
BERNINA 1150MDA



Needlesystem (1300MDC)

Pos	Item number	Description	Supplier Part no.
1	5020105469	PRESSER FOOT ADJ.KNOB	A1525110000
2	5020105470	PRESSER FOOT ADJ.ARM	
3	5020105471	PRESSER FOOT ADJ.ARM SHAFT	
4	5020100794	E-RING	JRE0300000K0
5	5020106719	PRESSER FOOT PRESSURE ADJ. CAM	A1511130000
6	5020106605	SCREW	ST5031051SN
7	5020105095	LOWER KNIFE ADJ. BASE BUSH	A4132535000
8	5020105462	PRESSER FOOT ADJ.SCREW	A1510110000
9	5020106718	PRESSER FOOT PRESSURE ADJ. SPRING	
10	5020105472	SCREW	A1528110000
11	A1502130000	PRESSER SPRING	
12	5020105456	PRESSER BAR GUIDE BRACKET	
13	5020100838	SCREW	JSM8050402TP
14	5020105467	PRESSER LIFT PLATE	
15	5020105468	SPRING	
16	5020105460	PRESSER BAR	A1507110000
17	5020100828	SCREW	JSM5040855SN
18	A1504110000A	LIFTING LEVER SET PLATE	
19	5020105474	PRESS.BAR HOLD.GUIDE PLATE(ASM.)	
20	5020105476	THR.TENS.RELEASE LINK(ASM.)	
21	5020105317	WASHER	A1636534D00
22	5020100822	SCREW	
23	5020100824	SCREW	JSM5030655SN
24	5020105473	THR.TENS.REL.DRIVING ARM	
25	5020100795	E-RING	JRE0400000K0
26	5020106985	LIFTING LEVER	A1506130000
27	5020105458	LIFTING LEVER SHAFT	
28	5020100796	E-RING	JRE0500000K0
29	5020106717	PRESSER FOOT LIFTING LEVER SLIDER	
30	5020100816	SCREW	
31	5020100167	THRUST COLLAR ASM.	
32	5020100835	SCREW	JSM8040402TP
33	5020106818	MAIN SHAFT BUSHING SHAFT	
34	0000000999	(no longer available)	

BERNINA 1150MDA

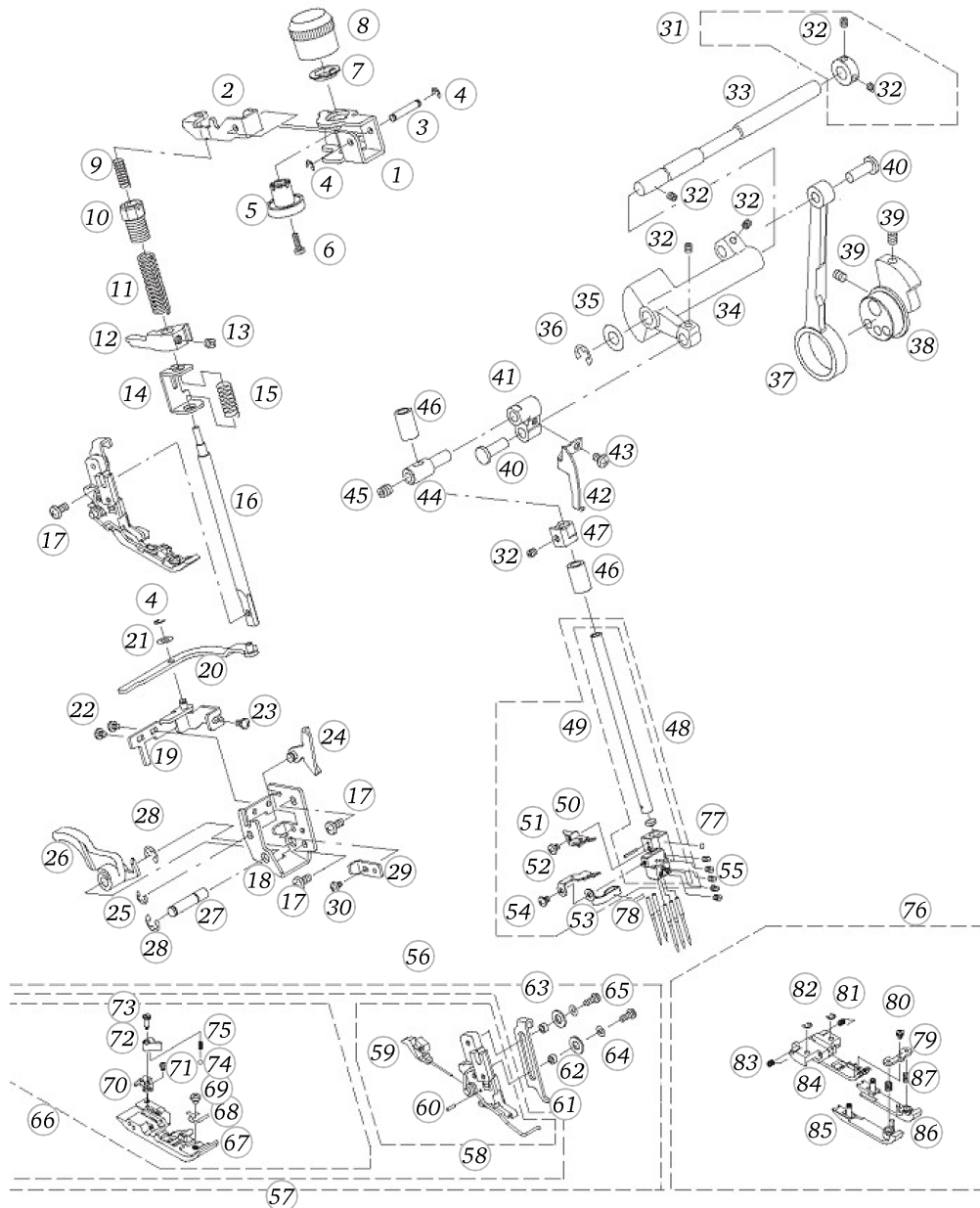


Needlesystem (1300MDC)

Pos	Item number	Description	Supplier Part no.
35	5020100854	WASHER	
36	5020100797	E-RING	
37	5020100150	NEEDLE BAR CRANK ROD	A1403335000A
38	5020106817	Needle bar driving cam	A1401535000A
39	5020100839	SCREW	JSM8050602TP
40	5020100148	CONNECTING PIN	A1403102000
41	5020106821	NEEDLE BAR LINK	A1412535000
42	5020106712	NEEDLE THREAD TAKE UP	A1412130000
43	5020100819	SCREW	JSM4040655SN
44	5020106820	Needle bar bracket	A1411335000
45	5020100840	SCREW	
46	5020106819	NEEDLE BAR BUSHING	A1407102000
47	5020105452	NEEDLE THR.TAKE-UP BASE	
48	5020109174	Needle bar	A140613M0B0
49	5020109161	NEEDLE BAR	40123325
50	5020106711	CHAIN NEEDLE THREAD GUIDE A	A1411130000
51	5020100815	SCREW	JSM4030455SN
52	5020106709	CHAIN NEEDLE THREAD GUIDE A	A1410130000
53	5020106713	NEEDLE THREAD TABLE ASM	A14141300A0
54	5020105353	SCREW	JSM0030401SC
55	5020105412	NEEDLE SET SCREW	A1416777000
56	5020109172	Presser foot	A150113M0D0
57	5020107545	PRESSER FOOT SHANK ASM	A15011300C0C
58	A151413M0B0	PRESSER FOOT SHANK 1300MDC (ASM.)	
59	5020100218	LEVER	A1518335000
60	5020100206	PIN	A1508134000
61	5020107182	PRESSER LIFT LINK	A1520130000
62	5020107364	COLLAR	A152111000C
63	5020100851	WASHER	JWP0531000SC
64	5020100849	WASHER	JWP0320501SC
65	5020100825	SCREW	JSM5030855SN
66	5020107020	PRESSER FOOT	A15011300B0B
67	JA15011300A0	PRESSER FOOT	
68	5020100238	TAPE GUIDE	A1550334000

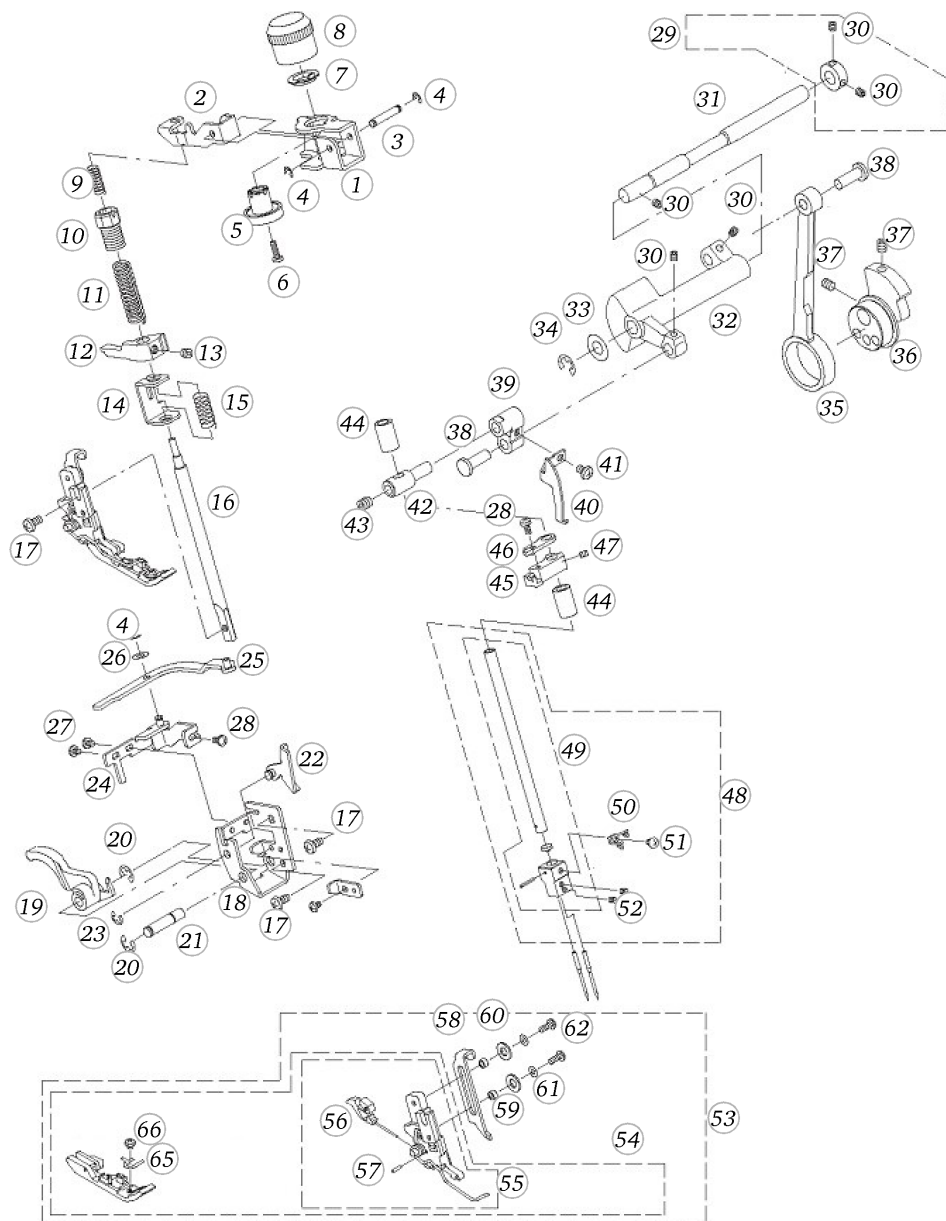
BERNINA 1150MDA

Needlesystem (1300MDC)



Pos	Item number	Description	Supplier Part no.
69	5020100814	SCREW	
70	5020106926	CS LIFTING LEVER ADJ.PLATE	
71	5020106194	SCREW	JSM4020351SC
72	A1504130000	STRAP	
73	5020107305	C/S LIFTING LEVER SHAFT	A1507130000
74	5020106927	CS LIFTING LEVER SPRING	A1509130000
75	5020107157	BALL	A1512130000
76	5020107038	CS PRESSER FOOT ASM	A15511300B0A
77	A315513M000	COLOR SEAL 1300MDC	
78	5020107416	COLOR SEAL PURPLE	A141713M000
79	A1559777000	PLATE	
80	5020100798	SCREW	
81	A1557777000	SPRING	
82	5020100792	E-RING	JRE0200000K0
83	A1556777000	SPRING	
84	A15511300A0A	UNKNOWN	
85	A15537770A0	PRESSER FOOT SLIDE	
86	A15541300A0	PRESSER FOOT SLIDE	
87	A15589DC000	SPRING	

BERNINA 1150MDA

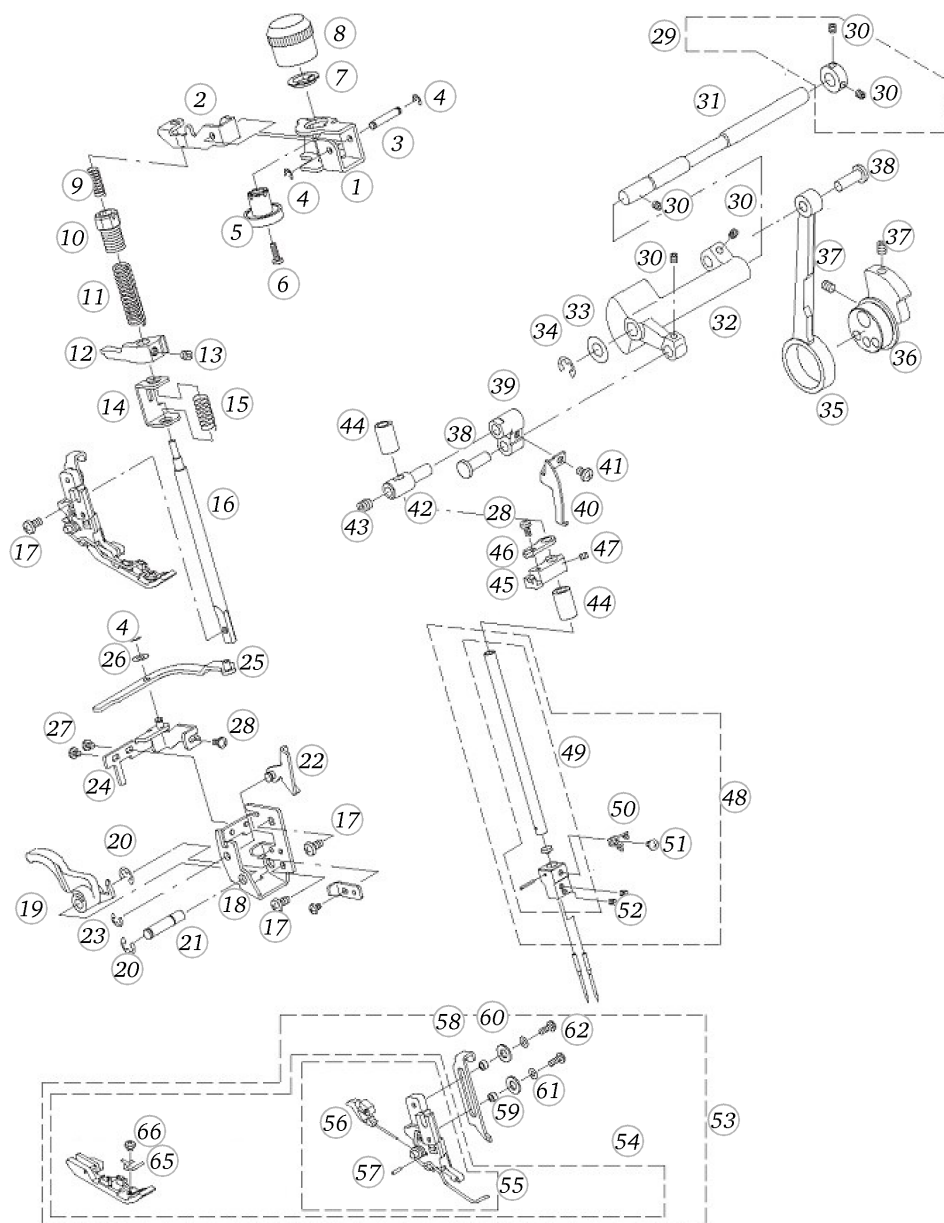


Needlesystem (1150MDA/1200MDA)

Pos	Item number	Description	Supplier Part no.
1	5020105469	PRESSER FOOT ADJ.KNOB	A1525110000
2	5020105470	PRESSER FOOT ADJ.ARM	
3	5020105471	PRESSER FOOT ADJ.ARM SHAFT	
4	5020100794	E-RING	JRE0300000K0
5	5020105463	PRESSER FOOT ADJ.CAM	A1511110000
6	5020106605	SCREW	ST5031051SN
7	5020105095	LOWER KNIFE ADJ. BASE BUSH	A4132535000
8	5020105462	PRESSER FOOT ADJ.SCREW	A1510110000
9	5020105461	SPRING	A1508110000
10	5020105472	SCREW	A1528110000
11	5020106000	PRESSER SPRING	A1501535000
12	5020105456	PRESSER BAR GUIDE BRACKET	
13	5020100838	SCREW	JSM8050402TP
14	5020105467	PRESSER LIFT PLATE	
15	5020105468	SPRING	
16	5020105460	PRESSER BAR	A1507110000
17	5020100828	SCREW	JSM5040855SN
18	A1504110000A	LIFTING LEVER SET PLATE	
19	5020106985	LIFTING LEVER	A1506130000
20	5020100796	E-RING	JRE0500000K0
21	5020105458	LIFTING LEVER SHAFT	
22	5020105473	THR.TENS.REL.DRIVING ARM	
23	5020100795	E-RING	JRE0400000K0
24	5020105474	PRESS.BAR HOLD.GUIDE PLATE(ASM.)	
25	5020105476	THR.TENS.RELEASE LINK(ASM.)	
26	5020105317	WASHER	A1636534D00
27	5020100822	SCREW	
28	5020100824	SCREW	JSM5030655SN
29	5020100167	THRUST COLLAR ASM.	
30	5020100835	SCREW	JSM8040402TP
31	5020106818	MAIN SHAFT BUSHING SHAFT	
32	0000000999	(no longer available)	
33	5020100854	WASHER	
34	5020100797	E-RING	

BERNINA 1150MDA

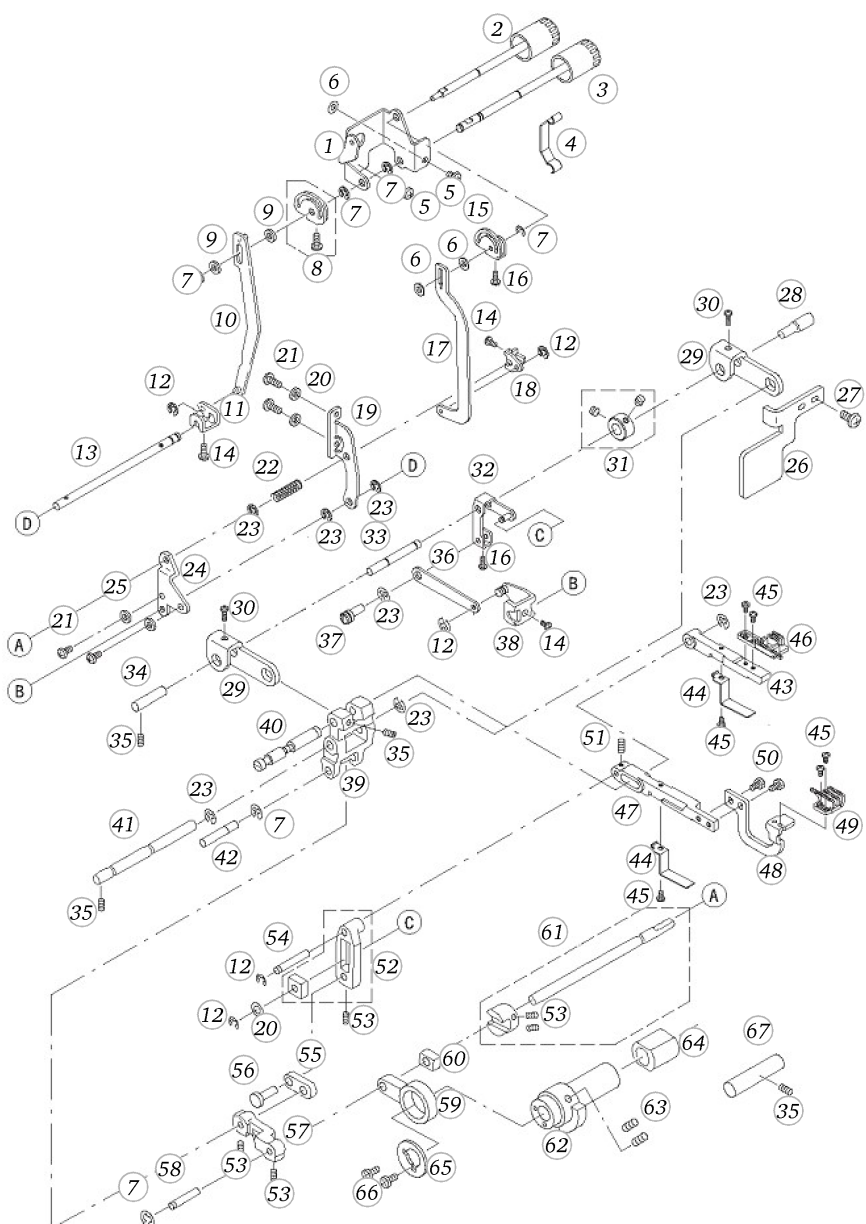
Needlesystem (1150MDA/1200MDA)



Pos	Item number	Description	Supplier Part no.
35	5020100150	NEEDLE BAR CRANK ROD	A1403335000A
36	5020106817	Needle bar driving cam	A1401535000A
37	5020100839	SCREW	JSM8050602TP
38	5020100148	CONNECTING PIN	A1403102000
39	5020106821	NEEDLE BAR LINK	A1412535000
40	5020105451	NEEDLE THR.TAKE-UP	A1412110000
41	5020100819	SCREW	JSM4040655SN
42	5020106820	Needle bar bracket	A1411335000
43	5020100840	SCREW	
44	5020106819	NEEDLE BAR BUSHING	A1407102000
45	5020105670	THREADING ADJ.PLATE(A)	A142011A000
46	5020105671	THREADING ADJ.PLATE(B)	A142111A000
47	5020100833	SCREW	JSM8030402TP
48	5020106630	NEEDLE BAR (MAS.ASM)	A14065340B0
49	5020101916	NEEDLE BAR CPL.	J50176604
50	5020101904	NEEDLE BAR GUIDE	J50175403
51	5020100815	SCREW	JSM4030455SN
52	5020105412	NEEDLE SET SCREW	A1416777000
53	5020107404	PRESSER FOOT (MAS.ASM.)	
54	5020107549	PRESSER FOOT	A15013440C0A
55	5020107019	PRESSER FOOT SHANK(ASM.)	A15141100B0B
56	5020100218	LEVER	A1518335000
57	5020100206	PIN	A1508134000
58	5020107182	PRESSER LIFT LINK	A1520130000
59	5020107364	COLLAR	A152111000C
60	5020100851	WASHER	JWP0531000SC
61	5020100849	WASHER	JWP0320501SC
62	5020100825	SCREW	JSM5030855SN
65	5020100238	TAPE GUIDE	A1550334000
66	5020100814	SCREW	

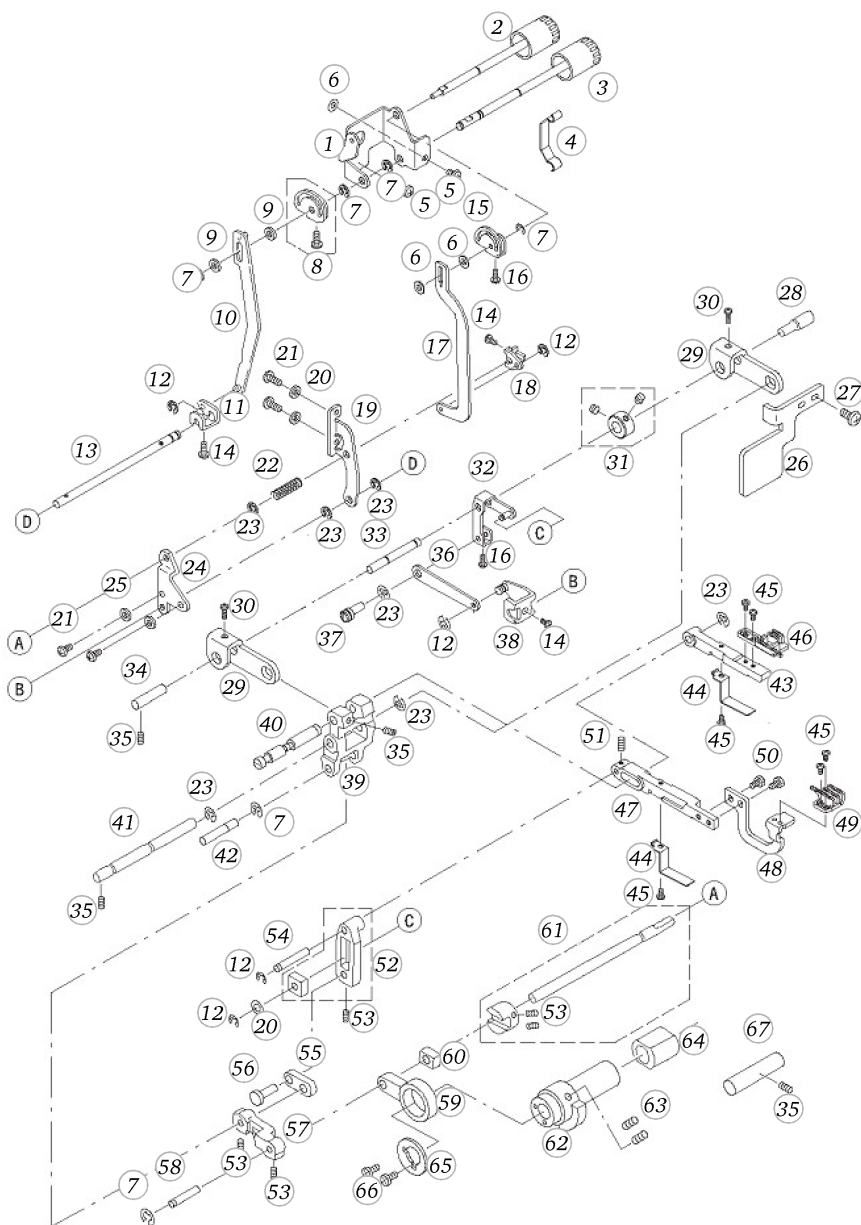
BERNINA 1150MDA

Feed regulation (1300MDC)



Pos	Item number	Description	Supplier Part no.
1	5020105034	KNOB SETTING PLATE	A1610655000
2	5020106223	MAIN FEED ADJ.KNOB	A1601110000A
3	5020106721	DIF FEED ADJUSTING KNOB	A1602110000A
4	5020105035	KNOB HOLDING PLATE	
5	5020106604	SCREW	
6	5020105037	WASHER	
7	5020100795	E-RING	JRE0400000K0
8	5020100248	DIF.FEED ADJ. CAM ASM.	
9	5020100247	COLLAR	
10	A1620534DA0	LINK	
11	5020100299	DIF.FEED ADJ.ARM	
12	5020100794	E-RING	JRE0300000K0
13	5020105485	SHAFT	
14	5020100824	SCREW	JSM5030655SN
15	5020105036	MAIN FEED ADJUSTING CAM	
16	5020100825	SCREW	JSM5030855SN
17	5020105040	MAIN FEED ADJUSTING LINK (ASM.)	A16196550A0
18	5020100262	MAIN FEED ADJ. ARM	
19	5020105484	FEED ADJ.SHAFT SUPP.PLATE	
20	5020105317	WASHER	A1636534D00
21	5020100829	SCREW	
22	A1633534D00	SPRING	
23	5020100796	E-RING	JRE0500000K0
24	A1635534D00	DIF.FEED ARM	
25	5020105317	WASHER	A1636534D00
26	5020106823	FEED BASE GUIDE	
27	5020100819	SCREW	JSM4040655SN
28	5020105046	DIF. FEED SHAFT (B)	
29	5020105398	DIF.FEED SHAFT HOLDER	
30	5020100826	SCREW	
31	5020100309	THRUST COLLAR ASM.	
32	5020105881	SUB FEED ADJ.ARM(A)ASM.	A16618000A0
33	5020105149	SHAFT	
34	A1663534D00	PIN	

BERNINA 1150MDA

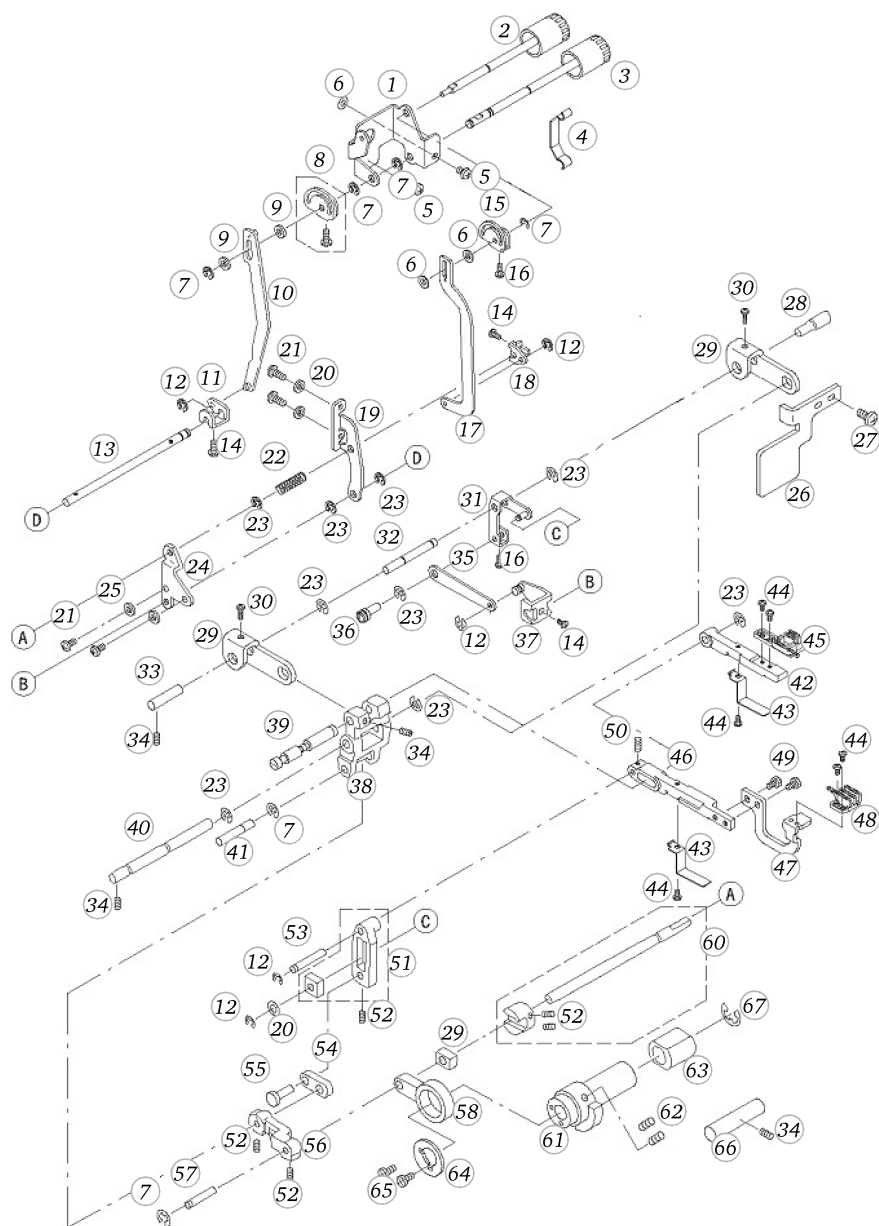


Feed regulation (1300MDC)

Pos	Item number	Description	Supplier Part no.
35	5020100835	SCREW	JSM8040402TP
36	5020100295	DIF.FEED ADJ.LINK A	
37	5020100298	ECCENTRIC PIN	
38	A1657534DA0	ARM	
39	5020109173	ARM	A1645534D00
40	A1646534D00	FREE	
41	A1647534D00	SHAFT	
42	A1641534D00	SHAFT	
43	5020105876	FEED BASE	A1625800000
44	5020105877	FEED BASE SPRING	A1616030Z00
45	5020100817	SCREW	JSM4030655SP
46	5020107039	MAIN FEED DOG	A1627130000A
47	5020105878	SUB FEED BASE	A1639800000
48	JA1648130000	DIF. FEED DOG SETTING BASE	
49	5020107040	SUB FEED DOG	A1642130000A
50	5020100842	SCREW	
51	5020100832	SCREW	SM8030302TP
52	5020107418	DIF.FEED LINK ASM.	
53	5020100833	SCREW	JSM8030402TP
54	5020100311	SHAFT	
55	5020100291	DIF.FEED LINK	A1650534D00
56	5020100407	PIN	A2529335000
57	A1640534D00	CONNECTING-ROD	
58	A1639534D00	SHAFT	
59	5020100249	MAIN FEED ROD	
60	5020100276	MAIN FEED SLIDING BLOCK	A1638776000
61	5020105397	FEED REGULATOR (ASM.)	
62	5020105038	HORIZONTAL/VERTICAL FEED	A1617534D00A
63	5020100837	SCREW	JSM8040602TP
64	5020101940	VERTICAL FEED ADS	J50179003
65	A1618534D00	CAM WASHER	
66	5020105039	SCREW	
67	5020106822	FEED BASE GUIDE ROD	

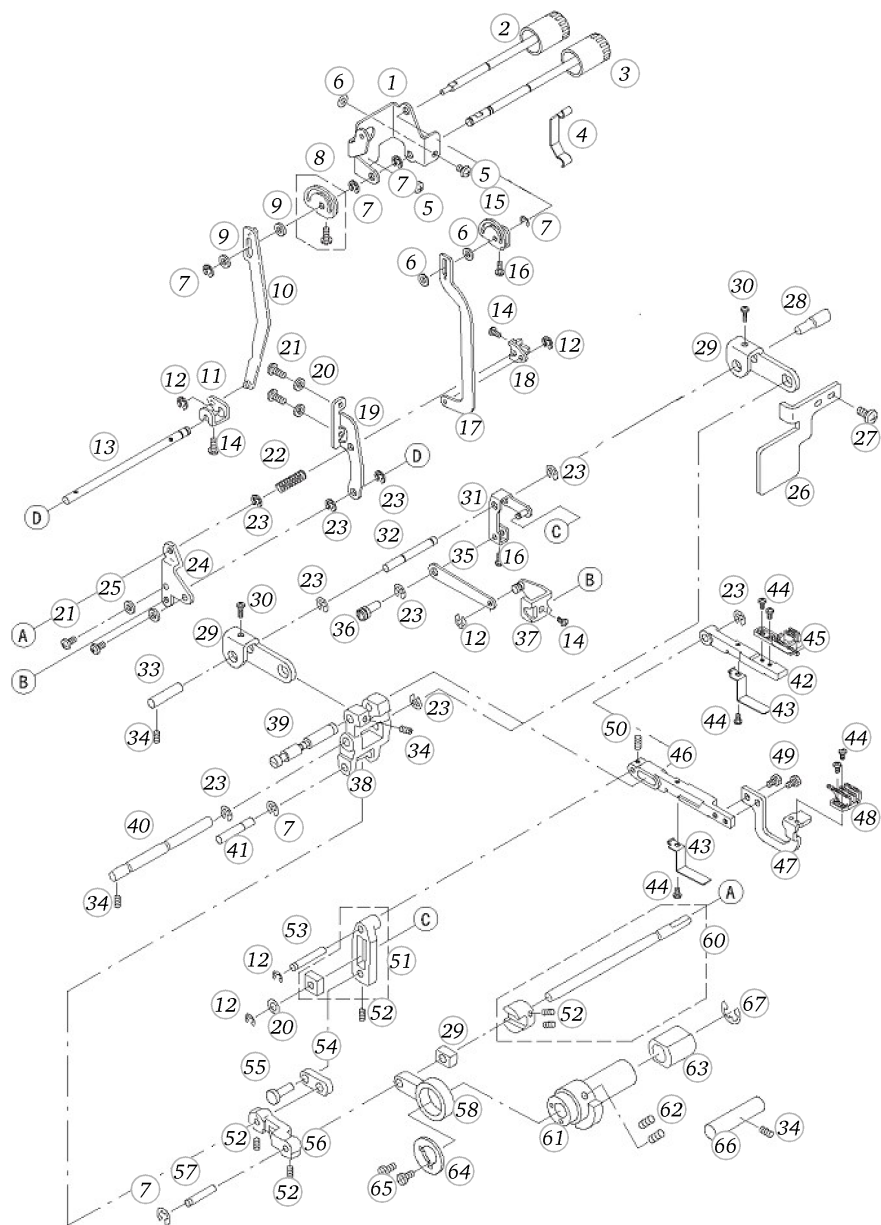
BERNINA 1150MDA

Feed regulation (1200MDA)



Pos	Item number	Description	Supplier Part no.
1	5020105034	KNOB SETTING PLATE	A1610655000
2	5020106223	MAIN FEED ADJ.KNOB	A1601110000A
3	5020106721	DIF FEED ADJUSTING KNOB	A1602110000A
4	5020105035	KNOB HOLDING PLATE	
5	5020106604	SCREW	
6	5020105037	WASHER	
7	5020100795	E-RING	JRE0400000K0
8	5020100248	DIF.FEED ADJ. CAM ASM.	
9	5020100247	COLLAR	
10	A1620534DA0	LINK	
11	5020100299	DIF.FEED ADJ.ARM	
12	5020100794	E-RING	JRE0300000K0
13	5020105485	SHAFT	
14	5020100824	SCREW	JSM5030655SN
15	5020105036	MAIN FEED ADJUSTING CAM	
16	5020100825	SCREW	JSM5030855SN
17	5020105040	MAIN FEED ADJUSTING LINK (ASM.)	A16196550A0
18	5020100262	MAIN FEED ADJ. ARM	
19	5020105484	FEED ADJ.SHAFT SUPP.PLATE	
20	5020105317	WASHER	A1636534D00
21	5020100829	SCREW	
22	A1633534D00	SPRING	
23	5020100796	E-RING	JRE0500000K0
24	A1635534D00	DIF.FEED ARM	
25	5020105317	WASHER	A1636534D00
26	5020106823	FEED BASE GUIDE	
27	5020100819	SCREW	JSM4040655SN
28	A1664534D00	DIF. FEED SHAFT (B)	
29	5020100276	MAIN FEED SLIDING BLOCK	A1638776000
29	5020105398	DIF.FEED SHAFT HOLDER	
30	5020100826	SCREW	
31	5020105881	SUB FEED ADJ.ARM(A)ASM.	A16618000A0
32	5020105880	SUB FEED ADJ.ARM SHAFT	A1660800000
33	A1663534D00	PIN	

BERNINA 1150MDA

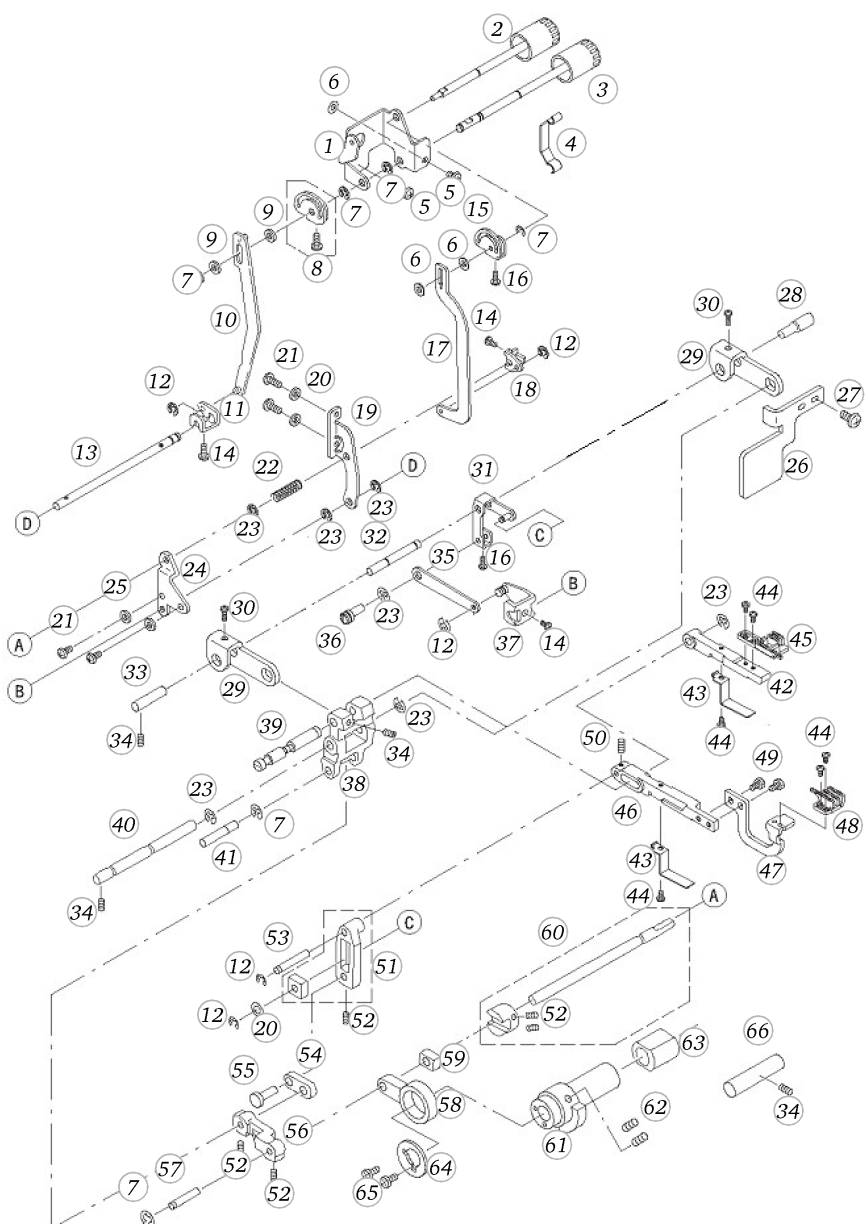


Feed regulation (1200MDA)

Pos	Item number	Description	Supplier Part no.
34	5020100835	SCREW	JSM8040402TP
35	5020100295	DIF.FEED ADJ.LINK A	
36	5020100298	ECCENTRIC PIN	
37	A1657534DA0	ARM	
38	5020109173	ARM	A1645534D00
39	A1646534D00	FREE	
40	A1647534D00	SHAFT	
41	A1641534D00	SHAFT	
42	5020105876	FEED BASE	A1625800000
43	5020105877	FEED BASE SPRING	A1616030Z00
44	5020100817	SCREW	JSM4030655SP
45	5020102212	MAIN FEED DOG	J50210903
46	5020105878	SUB FEED BASE	A1639800000
47	A1648535000	DIF. FEED DOG SETTING BASE	
48	5020106010	DIF. FEED DOG	A1648800000
49	5020100842	SCREW	
50	5020100832	SCREW	SM8030302TP
51	5020107418	DIF.FEED LINK ASM.	
52	5020100833	SCREW	JSM8030402TP
53	5020100311	SHAFT	
54	5020100291	DIF.FEED LINK	A1650534D00
55	5020100407	PIN	A2529335000
56	A1640534D00	CONNECTING-ROD	
57	A1639534D00	SHAFT	
58	5020100249	MAIN FEED ROD	
60	5020105397	FEED REGULATOR (ASM.)	
61	5020105038	HORIZONTAL/VERTICAL FEED	A1617534D00A
62	5020100837	SCREW	JSM8040602TP
63	5020101940	VERTICAL FEED ADS	J50179003
64	A1618534D00	CAM WASHER	
65	5020105039	SCREW	
66	5020106822	FEED BASE GUIDE ROD	
67	RE0900000K0	E-RING	

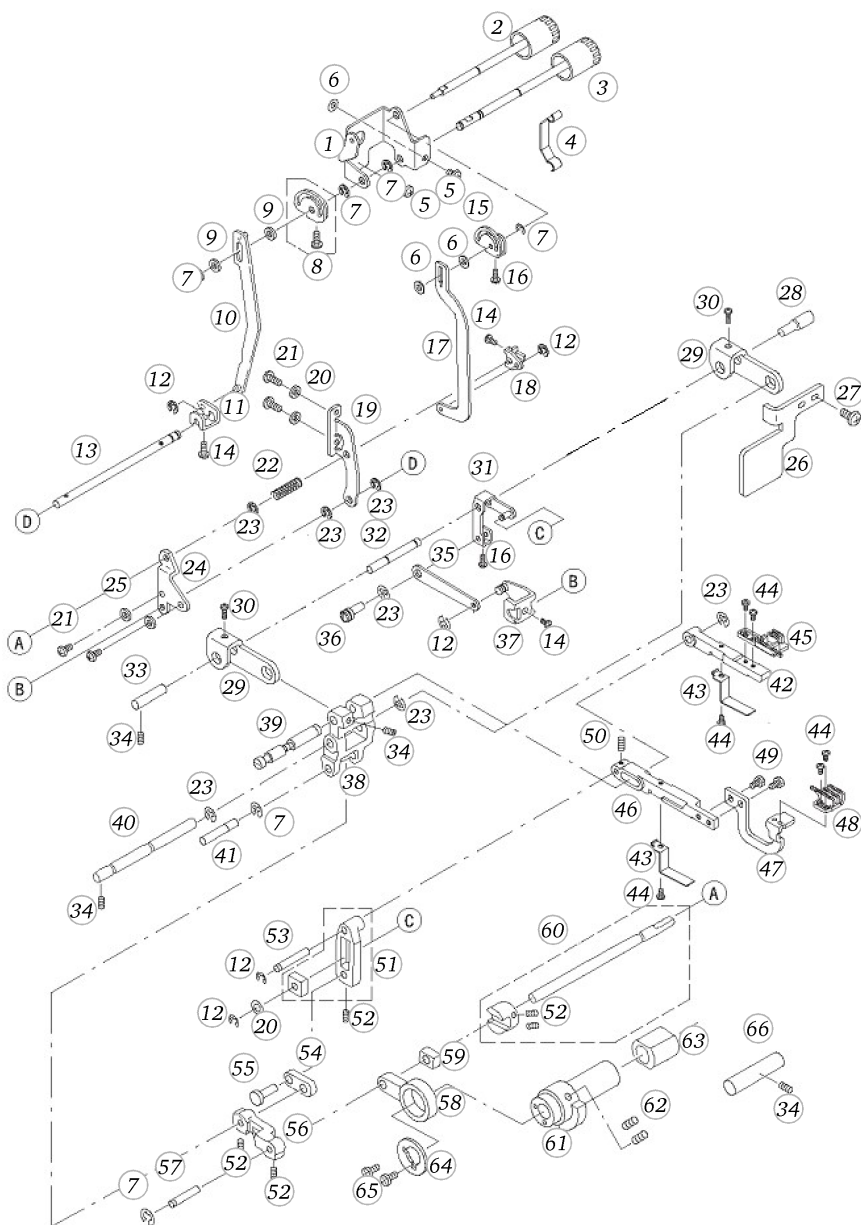
BERNINA 1150MDA

Feed regulation (1150MDA)



Pos	Item number	Description	Supplier Part no.
1	5020105034	KNOB SETTING PLATE	A1610655000
2	5020106223	MAIN FEED ADJ.KNOB	A1601110000A
3	5020106721	DIF FEED ADJUSTING KNOB	A1602110000A
4	5020105035	KNOB HOLDING PLATE	
5	5020106604	SCREW	
6	5020105037	WASHER	
7	5020100795	E-RING	JRE0400000K0
8	5020100248	DIF.FEED ADJ. CAM ASM.	
9	5020100247	COLLAR	
10	A1620534DA0	LINK	
11	5020100299	DIF.FEED ADJ.ARM	
12	5020100794	E-RING	JRE0300000K0
13	5020105485	SHAFT	
14	5020100824	SCREW	JSM5030655SN
15	5020105036	MAIN FEED ADJUSTING CAM	
16	5020100825	SCREW	JSM5030855SN
17	5020105040	MAIN FEED ADJUSTING LINK (ASM.)	A16196550A0
18	5020100262	MAIN FEED ADJ. ARM	
19	5020105484	FEED ADJ.SHAFT SUPP.PLATE	
20	5020105317	WASHER	A1636534D00
21	5020100829	SCREW	
22	A1633534D00	SPRING	
23	5020100796	E-RING	JRE0500000K0
24	A1635534D00	DIF.FEED ARM	
25	5020105317	WASHER	A1636534D00
26	5020106823	FEED BASE GUIDE	
27	5020100819	SCREW	JSM4040655SN
28	A1664534D00	DIF. FEED SHAFT (B)	
29	5020105398	DIF.FEED SHAFT HOLDER	
30	5020100826	SCREW	
31	5020105881	SUB FEED ADJ.ARM(A)ASM.	A16618000A0
32	5020105880	SUB FEED ADJ.ARM SHAFT	A1660800000
33	A1663534D00	PIN	
34	5020100835	SCREW	JSM8040402TP

BERNINA 1150MDA

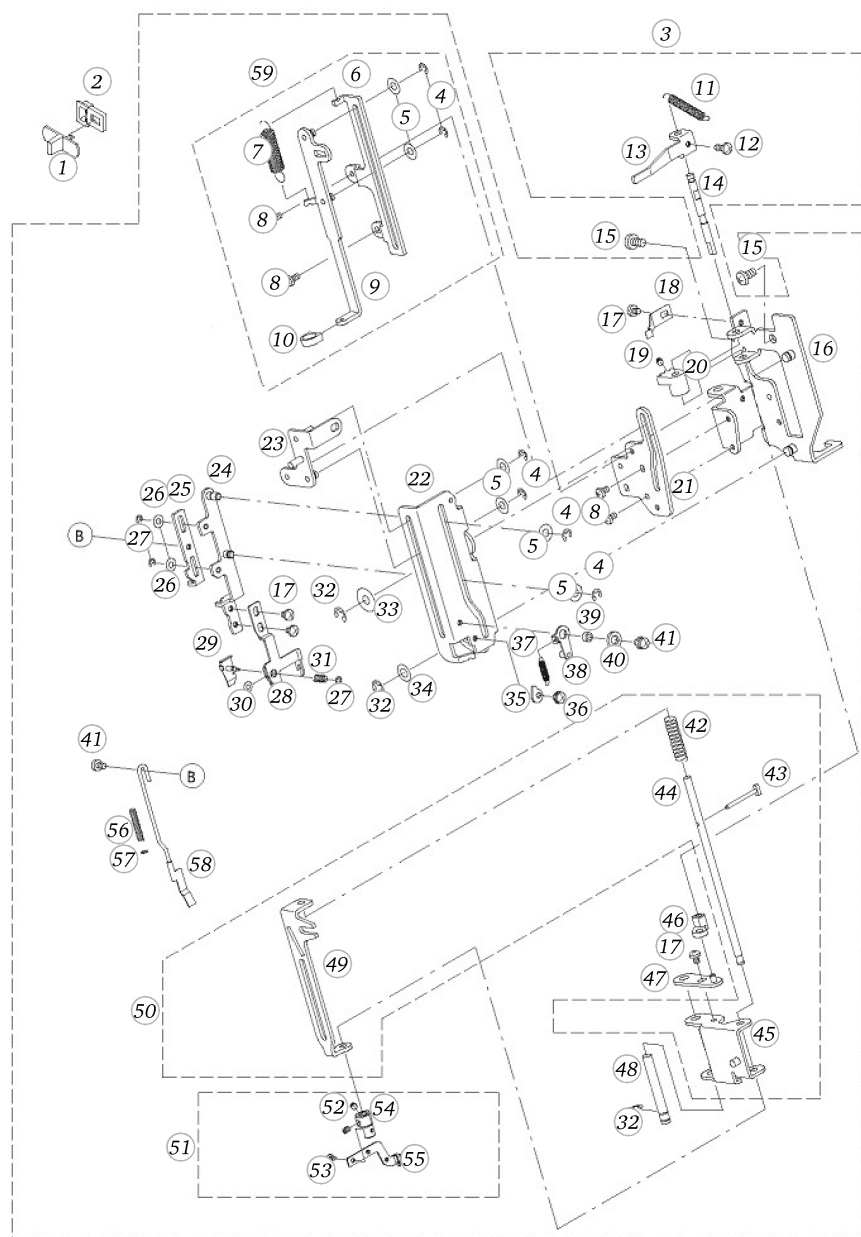


Feed regulation (1150MDA)

Pos	Item number	Description	Supplier Part no.
35	5020100295	DIF.FEED ADJ.LINK A	
36	5020100298	ECCENTRIC PIN	
37	A1657534DA0	ARM	
38	5020109173	ARM	A1645534D00
39	A1646534D00	FREE	
40	A1647534D00	SHAFT	
41	A1641534D00	SHAFT	
42	5020105876	FEED BASE	A1625800000
43	5020105877	FEED BASE SPRING	A1616030Z00
44	5020100817	SCREW	JSM4030655SP
45	5020102212	MAIN FEED DOG	J50210903
46	5020105878	SUB FEED BASE	A1639800000
47	A1648535000	DIF. FEED DOG SETTING BASE	
48	5020106010	DIF. FEED DOG	A1648800000
49	5020100842	SCREW	
50	5020100832	SCREW	SM8030302TP
51	5020107418	DIF.FEED LINK ASM.	
52	5020100833	SCREW	JSM8030402TP
53	5020100311	SHAFT	
54	5020100291	DIF.FEED LINK	A1650534D00
55	5020100407	PIN	A2529335000
56	A1640534D00	CONNECTING-ROD	
57	A1639534D00	SHAFT	
58	5020100249	MAIN FEED ROD	
59	5020100276	MAIN FEED SLIDING BLOCK	A1638776000
60	5020105397	FEED REGULATOR (ASM.)	
61	5020105038	HORIZONTAL/VERTICAL FEED	A1617534D00A
62	5020100837	SCREW	JSM8040602TP
63	5020101940	VERTICAL FEED ADS	J50179003
64	A1618534D00	CAM WASHER	
65	5020105039	SCREW	
66	5020106822	FEED BASE GUIDE ROD	

BERNINA 1150MDA

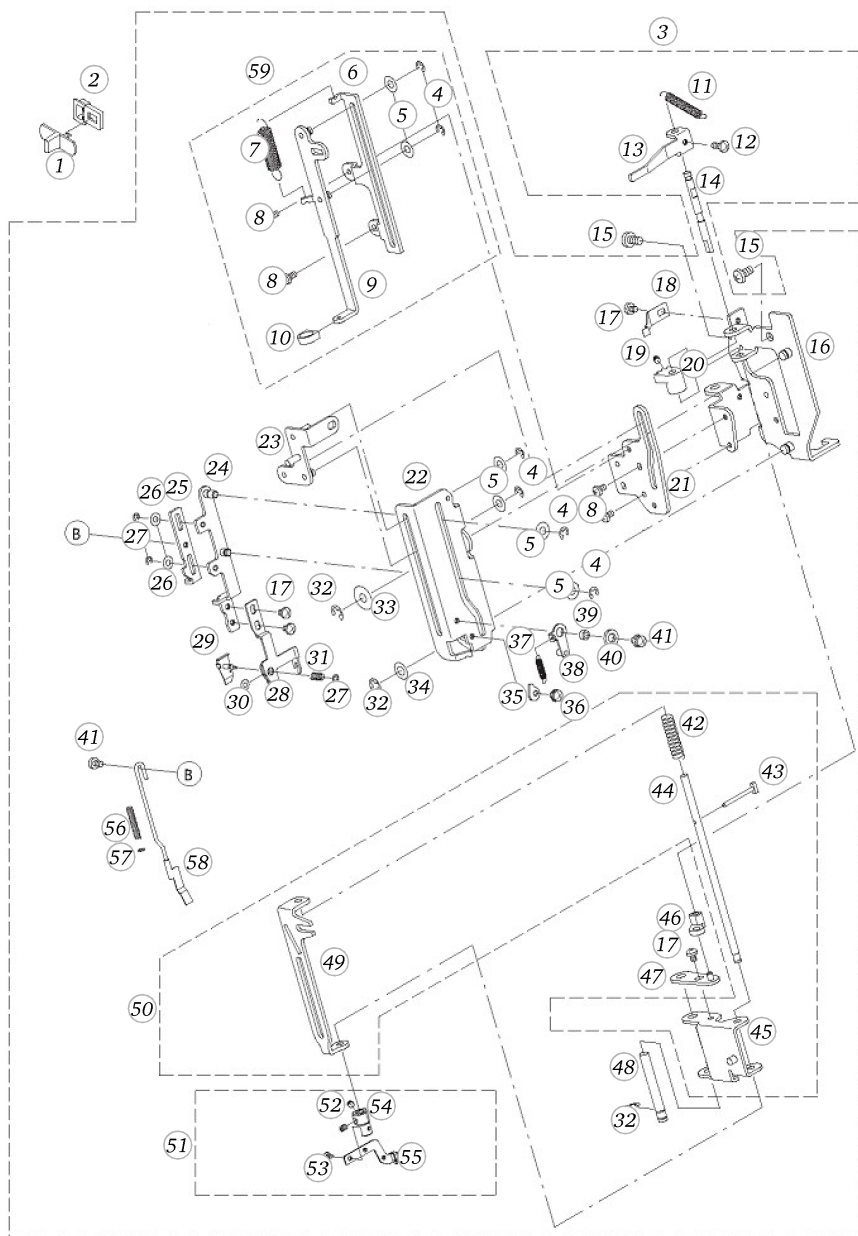
Threading system (1200MDA)



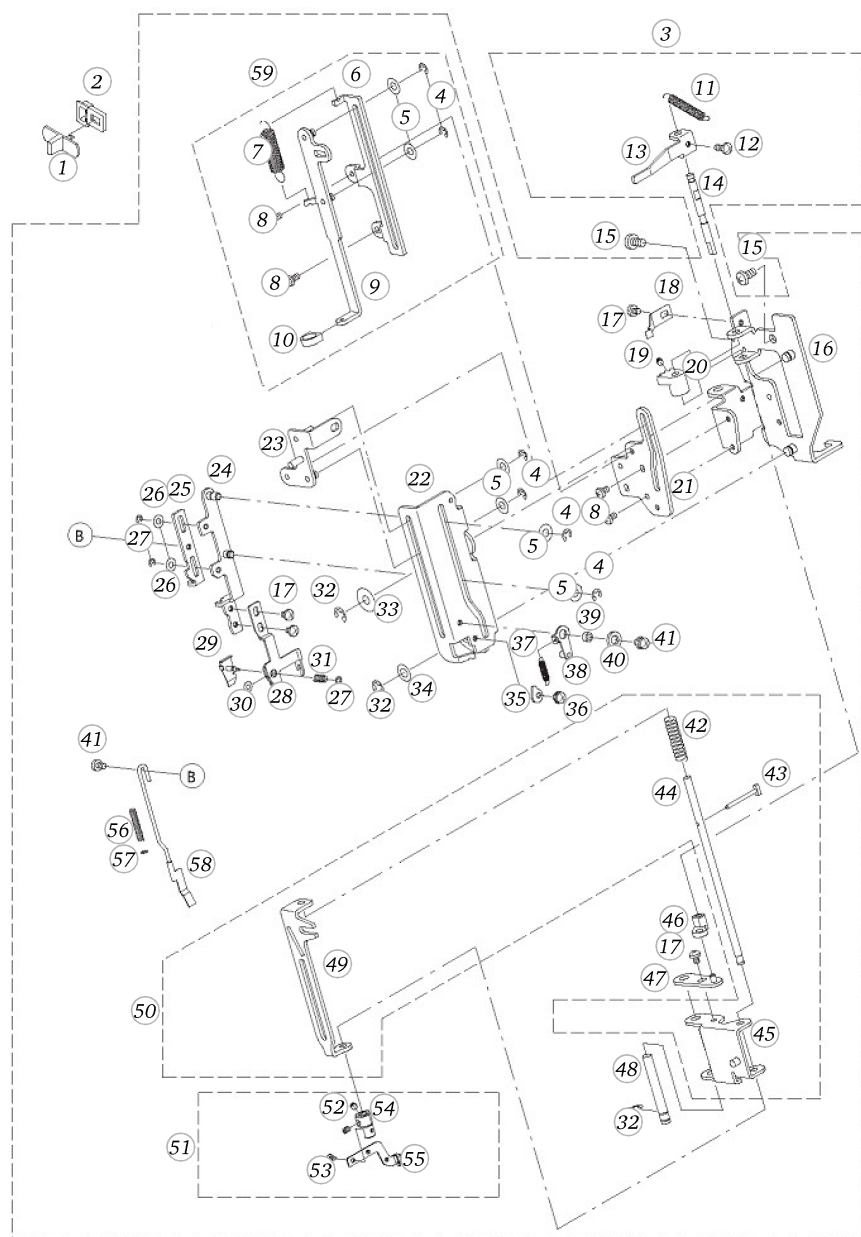
Pos	Item number	Description	Supplier Part no.
1	5020107216	RIGHT & LEFT CHANGE PICK UP	A144511A000B
2	5020105693	SPRING 1100DA	A144611A000
3	5020106631	NEEDLE THREADING SYSTEM (ASM) WITH LAMP	
4	5020100794	E-RING	JRE0300000K0
5	5020105317	WASHER	A1636534D00
6	5020105710	THR.LEVER BASE PLATE	
7	5020105711	THR.LEVER SPRING	A148611A000
8	5020100824	SCREW	JSM5030655SN
9	5020105709	THREADING LEVER(ASM.)	
10	A1430096000A	THREADING LEVER CAP	
11	5020105695	FRONT/BACK OSC.Plate SPRING	A145111A000
12	5020100825	SCREW	JSM5030855SN
13	5020105691	LEFT/RIGHT CHANGE LEVER	
14	5020105689	LEFT/RIGHT CHANGE CAM SHAFT	
15	5020100828	SCREW	JSM5040855SN
16	5020105672	THR.SYSTEM BASE PLATE(ASM.)	
17	5020100822	SCREW	
18	5020105690	LEFT/RIGHT SPRING	
19	5020100833	SCREW	JSM8030402TP
20	5020105688	LEFT/RIGHT CHANGE PLATE	
21	5020105708	FRONT/BACK GUIDE PLATE	
22	A145011A000A	FRONT/BACK CHANGE KNOB	
23	A147511A0A0A	WIPER DRIVING LINK	
24	A145311A0A0A	WIPER PLATE(ASM.)	
25	5020105697	PRETENSION REL.PLATE	
26	5020100849	WASHER	JWP0320501SC
27	5020100792	E-RING	JRE0200000K0
28	5020105701	WIPER	A146311A000
29	5020105702	PRETENSION PLATE(ASM.)	A146411A0A0
30	5020105756	WASHER	JWP0260116RZ
31	5020105703	PRETENSION SPRING	A146611A000
32	5020100795	E-RING	JRE0400000K0
33	5020105757	WASHER	

BERNINA 1150MDA

Threading system (1200MDA)



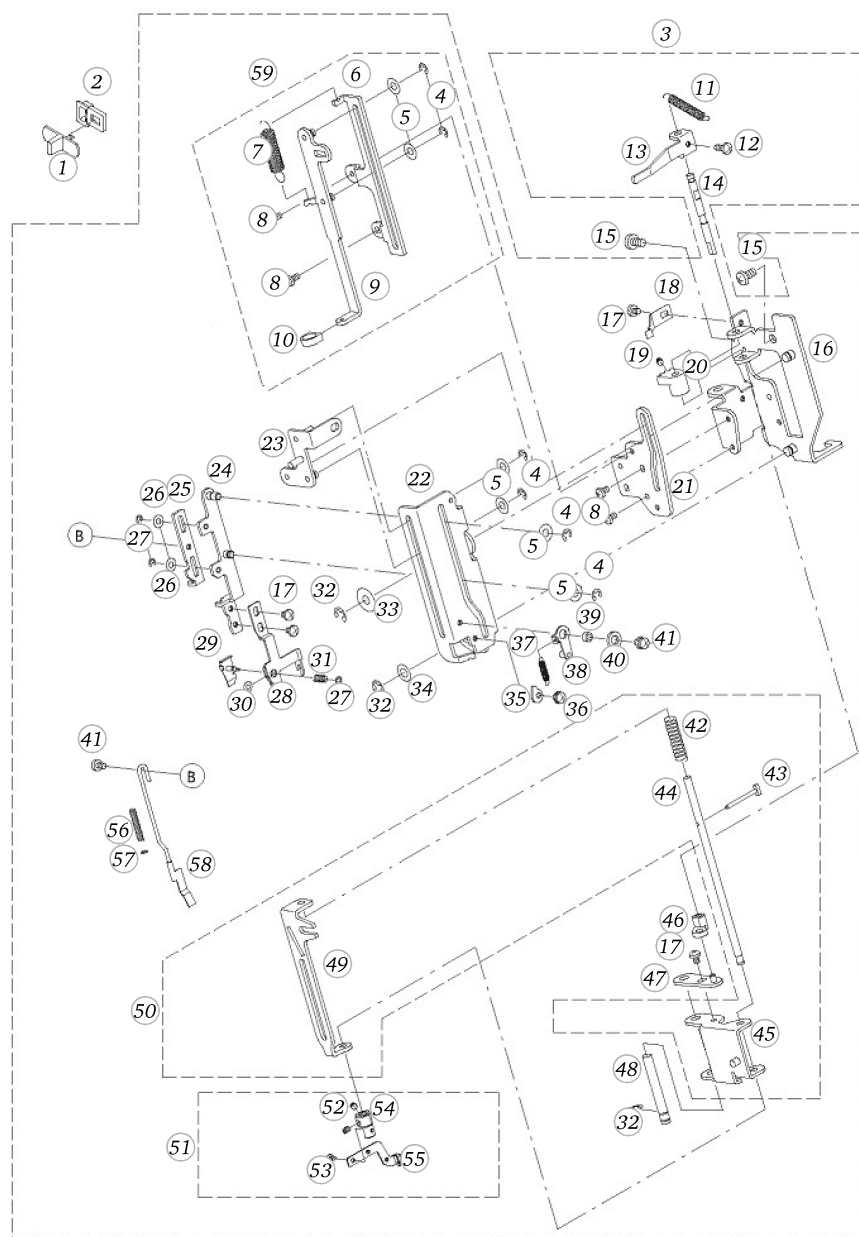
Pos	Item number	Description	Supplier Part no.
34	5020100851	WASHER	JWP0531000SC
35	5020100571	LOWER KNIFE SUPP.PLATE	A4124335000
36	5020100823	SCREW	
37	5020105706	SPRING	
38	5020105704	LATCH PLATE(ASM.)	
39	5020107364	COLLAR	A152111000C
40	5020105705	WASHER	
41	5020100801	SCREW	
42	5020105681	THR.SHAFT SPRING	
43	5020105680	THR.SHAFT PIN	
44	5020105677	THREADING SHAFT	
45	5020105675	LEFT/RIGHT OSC.PLATE(ASM.)	
46	5020105687	LEFT/RIGHT CHANGE CAM	
47	5020105682	LEFT/RIGHT ADJ.PLATE(ASM.)	
48	5020105683	OSC.SUPPORTING SHAFT	
49	5020105679	THR.SHAFT SUPP.PLATE	
50	5020105676	LEFT/RIGHT OSC.PLATE(MAS.ASM.)	A142711A0B0
51	5020105685	THR.HOOK (ASM)	A143611A0A0
52	5020100832	SCREW	SM8030302TP
53	5020100812	SCREW	JSM4020301SC
54	5020105684	THREADING FOOK HOLDER	
55	5020105686	THREADING FOOK(ASM.)	A143711A0A0
56	5020105699	PRETENSION REL.SPRING	A146111A000
57	5020105700	SPRING	A146211A000
58	5020105698	TENS.DISK REL.PLATE(ASM.)	A145911A0A0
59	40136220	THREADING LEVER COMPLETE	



Pos	Item number	Description	Supplier Part no.
1	5020107216	RIGHT & LEFT CHANGE PICK UP	A144511A000B
2	5020105693	SPRING 1100DA	A144611A000
3	5020106618	THREADING SYSTEM (ASM)	A142510D0D0
4	5020100794	E-RING	JRE0300000K0
5	5020105317	WASHER	A1636534D00
6	5020105710	THR.LEVER BASE PLATE	
7	5020105711	THR.LEVER SPRING	A148611A000
8	5020100824	SCREW	JSM5030655SN
9	5020105709	THREADING LEVER(ASM.)	
10	A1430096000A	THREADING LEVER CAP	
11	5020105695	FRONT/BACK OSC.PLATE SPRING	A145111A000
12	5020100825	SCREW	JSM5030855SN
13	5020105691	LEFT/RIGHT CHANGE LEVER	
14	5020105689	LEFT/RIGHT CHANGE CAM SHAFT	
15	5020100828	SCREW	JSM5040855SN
16	5020105672	THR.SYSTEM BASE PLATE(ASM.)	
17	5020100822	SCREW	
18	5020105690	LEFT/RIGHT SPRING	
19	5020100833	SCREW	JSM8030402TP
20	5020105688	LEFT/RIGHT CHANGE PLATE	
21	5020105708	FRONT/BACK GUIDE PLATE	
22	A145011A000A	FRONT/BACK CHANGE KNOB	
23	A147511A0A0A	WIPER DRIVING LINK	
24	A145311A0A0A	WIPER PLATE(ASM.)	
25	5020105697	PRETENSION REL.PLATE	
26	5020100849	WASHER	JWP0320501SC
27	5020100792	E-RING	JRE0200000K0
28	5020105701	WIPER	A146311A000
29	5020105702	PRETENSION PLATE(ASM.)	A146411A0A0
30	5020105756	WASHER	JWP0260116RZ
31	5020105703	PRETENSION SPRING	A146611A000
32	5020100795	E-RING	JRE0400000K0
33	5020105757	WASHER	
34	5020100851	WASHER	JWP0531000SC

BERNINA 1150MDA

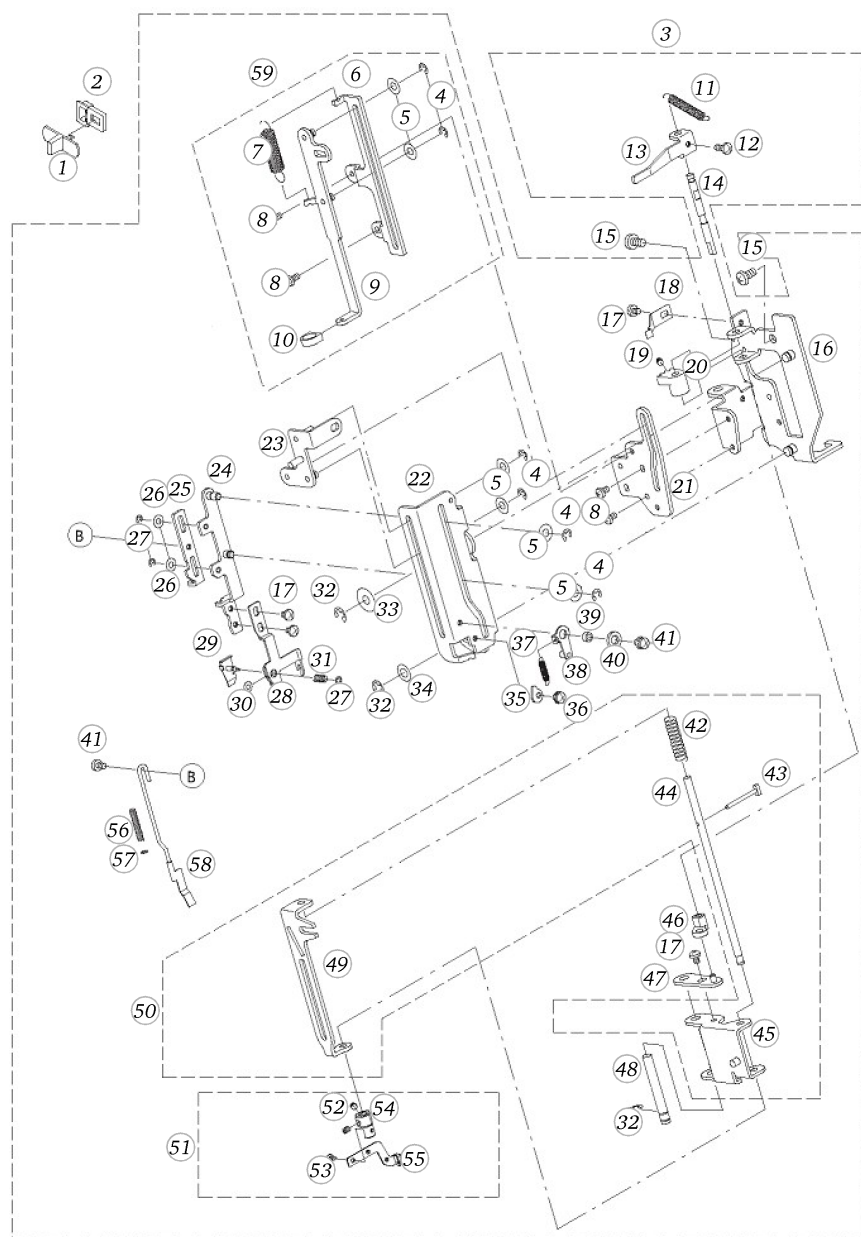
Threading system (1150MDA - UL/CSA)



Pos	Item number	Description	Supplier Part no.
35	5020100571	LOWER KNIFE SUPP.PLATE	A4124335000
36	5020100823	SCREW	
37	5020105706	SPRING	
38	5020105704	LATCH PLATE(ASM.)	
39	5020107364	COLLAR	A152111000C
40	5020105705	WASHER	
41	5020100801	SCREW	
42	5020105681	THR.SHAFT SPRING	
43	5020105680	THR.SHAFT PIN	
44	5020105677	THREADING SHAFT	
45	5020105675	LEFT/RIGHT OSC.PLATE(ASM.)	
46	5020105687	LEFT/RIGHT CHANGE CAM	
47	5020105682	LEFT/RIGHT ADJ.PLATE(ASM.)	
48	5020105683	OSC.SUPPORTING SHAFT	
49	5020105679	THR.SHAFT SUPP.PLATE	
50	5020105676	LEFT/RIGHT OSC.PLATE(MAS.ASM.)	A142711A0B0
51	5020105685	THR.HOOK (ASM)	A143611A0A0
52	5020100832	SCREW	SM8030302TP
53	5020100812	SCREW	JSM4020301SC
54	5020105684	THREADING FOOK HOLDER	
55	5020105686	THREADING FOOK(ASM.)	A143711A0A0
56	5020105699	PRETENSION REL.SPRING	A146111A000
57	5020105700	SPRING	A146211A000
58	5020105698	TENS.DISK REL.PLATE(ASM.)	A145911A0A0
59	40136220	THREADING LEVER COMPLETE	

BERNINA 1150MDA

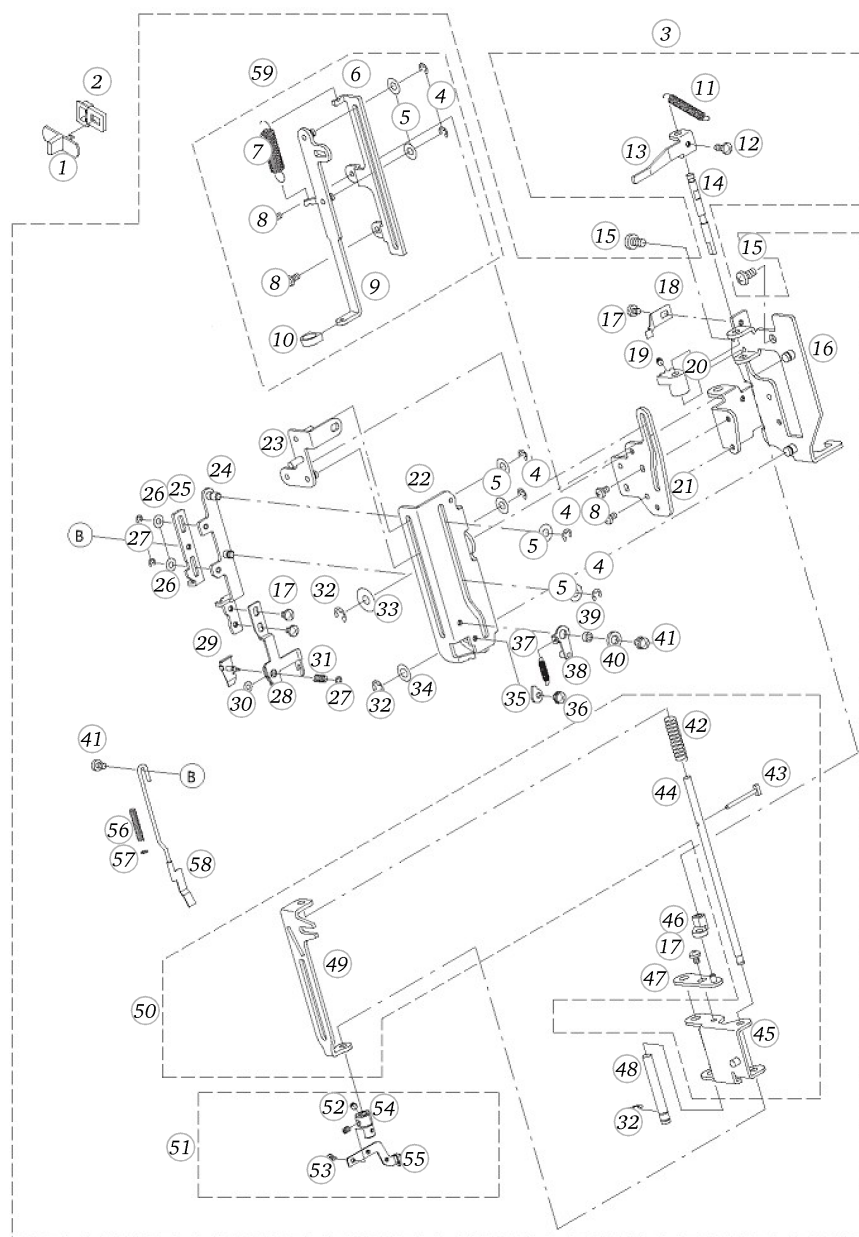
Threading system (1150MDA - CE/SAA)



Pos	Item number	Description	Supplier Part no.
1	5020107216	RIGHT & LEFT CHANGE PICK UP	A144511A000B
2	5020105693	SPRING 1100DA	A144611A000
3	5020106619	THREADING SYSTEM (ASM)	A142510D0DB
4	5020100794	E-RING	JRE0300000K0
5	5020105317	WASHER	A1636534D00
6	5020105710	THR.LEVER BASE PLATE	
7	5020105711	THR.LEVER SPRING	A148611A000
8	5020100824	SCREW	JSM5030655SN
9	5020105709	THREADING LEVER(ASM.)	
10	A1430096000A	THREADING LEVER CAP	
11	5020105695	FRONT/BACK OSC.PLATE SPRING	A145111A000
12	5020100825	SCREW	JSM5030855SN
13	5020105691	LEFT/RIGHT CHANGE LEVER	
14	5020105689	LEFT/RIGHT CHANGE CAM SHAFT	
15	5020100828	SCREW	JSM5040855SN
16	5020105672	THR.SYSTEM BASE PLATE(ASM.)	
17	5020100822	SCREW	
18	5020105690	LEFT/RIGHT SPRING	
19	5020100833	SCREW	JSM8030402TP
20	5020105688	LEFT/RIGHT CHANGE PLATE	
21	5020105708	FRONT/BACK GUIDE PLATE	
22	A145011A000A	FRONT/BACK CHANGE KNOB	
23	A147511A0A0A	WIPER DRIVING LINK	
24	A145311A0A0A	WIPER PLATE(ASM.)	
25	5020105697	PRETENSION REL.PLATE	
26	5020100849	WASHER	JWP0320501SC
27	5020100792	E-RING	JRE0200000K0
28	5020105701	WIPER	A146311A000
29	5020105702	PRETENSION PLATE(ASM.)	A146411A0A0
30	5020105756	WASHER	JWP0260116RZ
31	5020105703	PRETENSION SPRING	A146611A000
32	5020100795	E-RING	JRE0400000K0
33	5020105757	WASHER	
34	5020100851	WASHER	JWP0531000SC

BERNINA 1150MDA

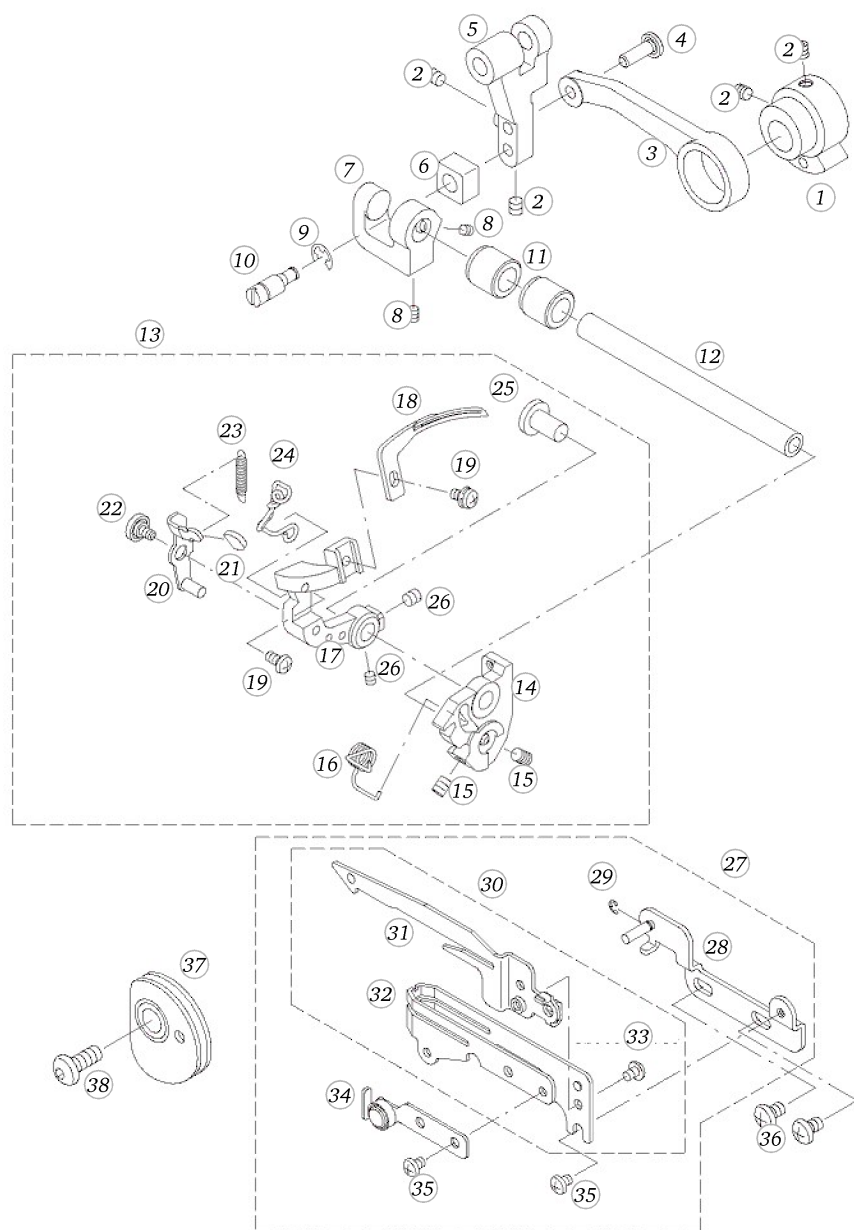
Threading system (1150MDA - CE/SAA)



Pos	Item number	Description	Supplier Part no.
35	5020100571	LOWER KNIFE SUPP.PLATE	A4124335000
36	5020100823	SCREW	
37	5020105706	SPRING	
38	5020105704	LATCH PLATE(ASM.)	
39	5020107364	COLLAR	A152111000C
40	5020105705	WASHER	
41	5020100801	SCREW	
42	5020105681	THR.SHAFT SPRING	
43	5020105680	THR.SHAFT PIN	
44	5020105677	THREADING SHAFT	
45	5020105675	LEFT/RIGHT OSC.PLATE(ASM.)	
46	5020105687	LEFT/RIGHT CHANGE CAM	
47	5020105682	LEFT/RIGHT ADJ.PLATE(ASM.)	
48	5020105683	OSC.SUPPORTING SHAFT	
49	5020105679	THR.SHAFT SUPP.PLATE	
50	5020105676	LEFT/RIGHT OSC.PLATE(MAS.ASM.)	A142711A0B0
51	5020105685	THR.HOOK (ASM)	A143611A0A0
52	5020100832	SCREW	SM8030302TP
53	5020100812	SCREW	JSM4020301SC
54	5020105684	THREADING FOOK HOLDER	
55	5020105686	THREADING FOOK(ASM.)	A143711A0A0
56	5020105699	PRETENSION REL.SPRING	A146111A000
57	5020105700	SPRING	A146211A000
58	5020105698	TENS.DISK REL.PLATE(ASM.)	A145911A0A0
59	40136220	THREADING LEVER COMPLETE	

BERNINA 1150MDA

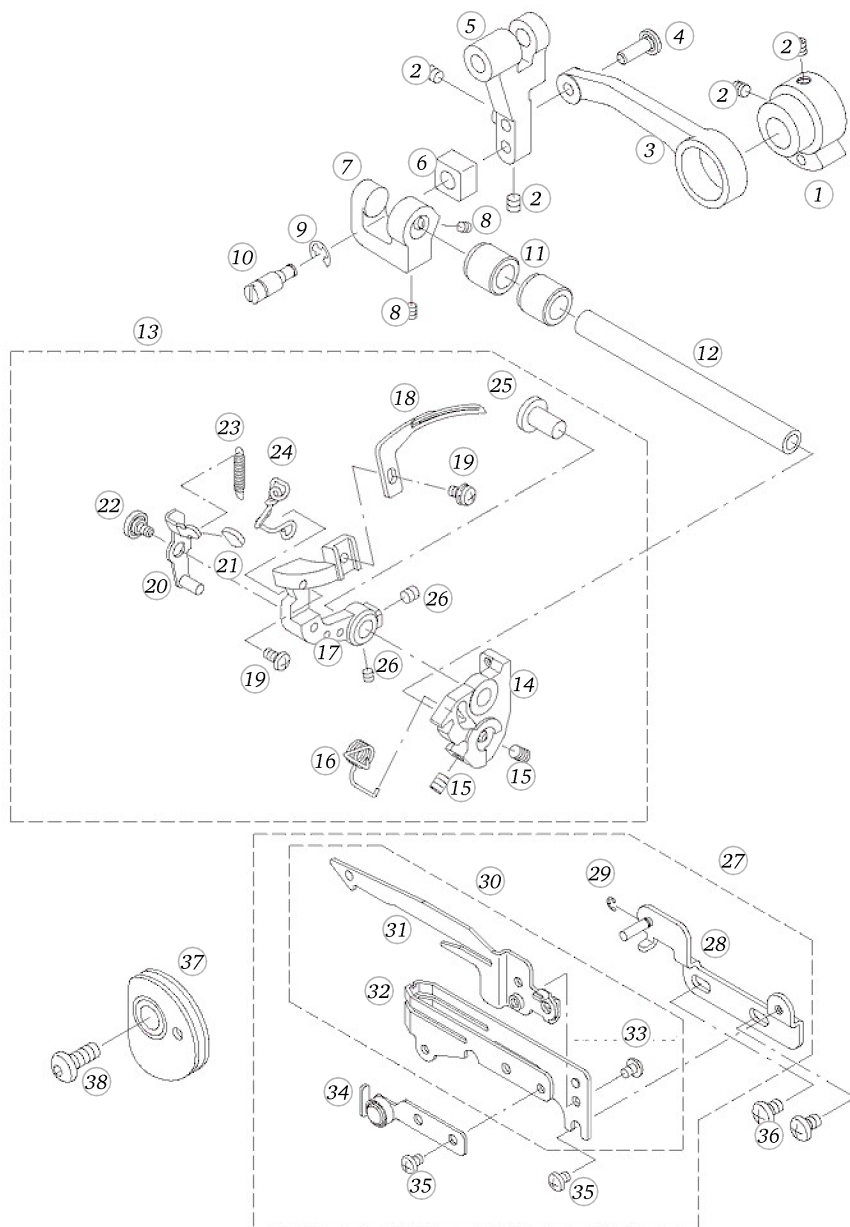
Feed regulation (1300MDC)



Pos	Item number	Description	Supplier Part no.
1	5020105228	DOUBLE CHAIN OSC.CAM	A21039DC000
2	5020100835	SCREW	JSM8040402TP
3	5020105048	CHAIN STITCHING LENGTHWISE ROD	
4	5020100407	PIN	A2529335000
5	5020105053	CHAIN STITCHING LENGTHWISE SUPPORT ARM	
6	5020105055	SLIDING BLOCK	A2116535000
7	5020106724	CHAIN STITCH SLIDING HOLD	A2113535000A
8	5020100833	SCREW	JSM8030402TP
9	5020100795	E-RING	JRE0400000K0
10	5020105054	CHAIN STITCHING SLIDING BLOCK SHAFT	A2115655000
11	5020106017	BUSHING	
12	5020105049	CHAIN LOOPER SAHFT	
13	5020107041	DOUBLE CHAIN LOOPER	A21091300B0A
14	5020105327	CHAIN LOOPER SUPP.ARM B	A21529DC000
15	5020100837	SCREW	JSM8040602TP
16	5020105071	Spring	A2158655000
17	5020107405	CHAIN LOOPER SUPP.ARM A	A21519DC000A
18	5020106981	CHAIN LOOPER	A21091300A0A
19	5020100824	SCREW	JSM5030655SN
20	5020105067	Chain Looper Supp. Arm Latch Asm.	
21	5020106700	THREAD SLIPPER CAP	A116731500AA
22	5020105070	Screw	
23	5020105072	Spring	
24	5020106728	CHAIN LOOPER THREAD I	A2165130000
25	5020106827	CHAIN LOOPER SUPPORT SHAFT	
26	5020100832	SCREW	SM8030302TP
27	5020105318	LOOPER TAKE-UP GUIDE(MAS.ASM.	A21309DC0B0
28	5020105063	Chain Looper Take-Up Mounting Base Asm.	
29	5020100792	E-RING	JRE0200000K0
30	5020105060	Chain Looper Take-Up Guide (1) Asm.	
31	5020105062	Chain Looper Take-up (2) Asm.	A21316550A0
32	5020105058	CHAIN LOOPER TAKE-UP GUIDE (1	A2130655000
33	5020105353	SCREW	JSM0030401SC

BERNINA 1150MDA

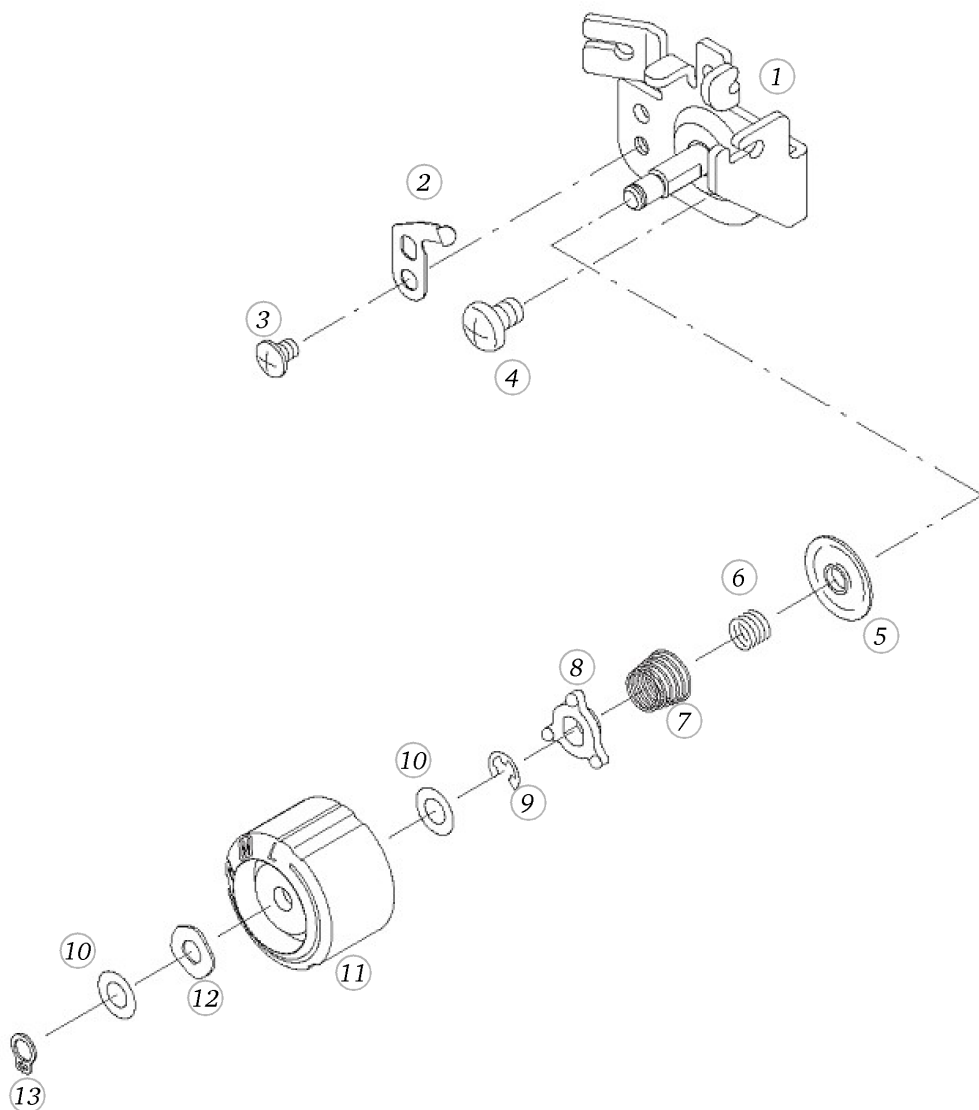
Feed regulation (1300MDC)



Pos	Item number	Description	Supplier Part no.
34	5020105319	UNDER THR.GUIDE PLATE(ASM.)	
35	5020100815	SCREW	JSM4030455SN
36	5020100819	SCREW	JSM4040655SN
37	5020106725	CHAIN LOOPER TAKE UP ASM	A21241300A0
38	5020106826	SCREW	

BERNINA 1150MDA

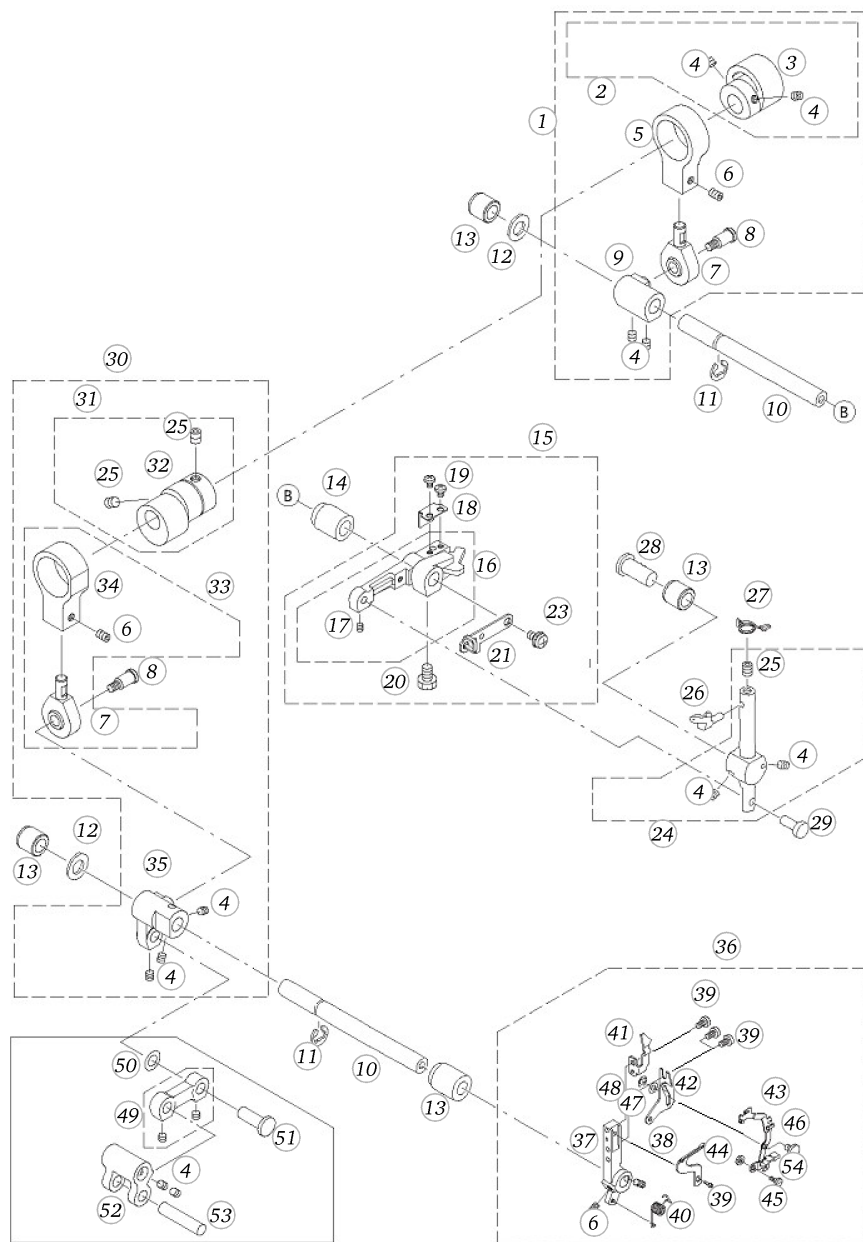
Thread tension (1300MDC)



Pos	Item number	Description	Supplier Part no.
1	5020105320	UNDER THR.TENS.BASE PLATE(AS	A21409DC0A0
2	5020105322	UNDER THR.TENS.DIAL LATCH SPRING	A21439DC000
3	5020105353	SCREW	JSM0030401SC
4	5020100819	SCREW	JSM4040655SN
5	5020105324	UNDER THR.TENS.DISC	A21459DC000
6	5020106726	SPRING	A2146C09000
7	5020105323	UNDER THR.TENS.SPRING	A21449DC000
8	5020105321	UNDER THR.TENS.SPRING PRES.	A21429DC000
9	5020100794	E-RING	JRE0300000K0
10	5020105317	WASHER	A1636534D00
11	JA21469DC000B	UNDER THR. TENS. DIAL	
12	5020100855	WAVED WASHER	JWZ0430200KH
13	5020100509	C-RING	A3139776000

BERNINA 1150MDA

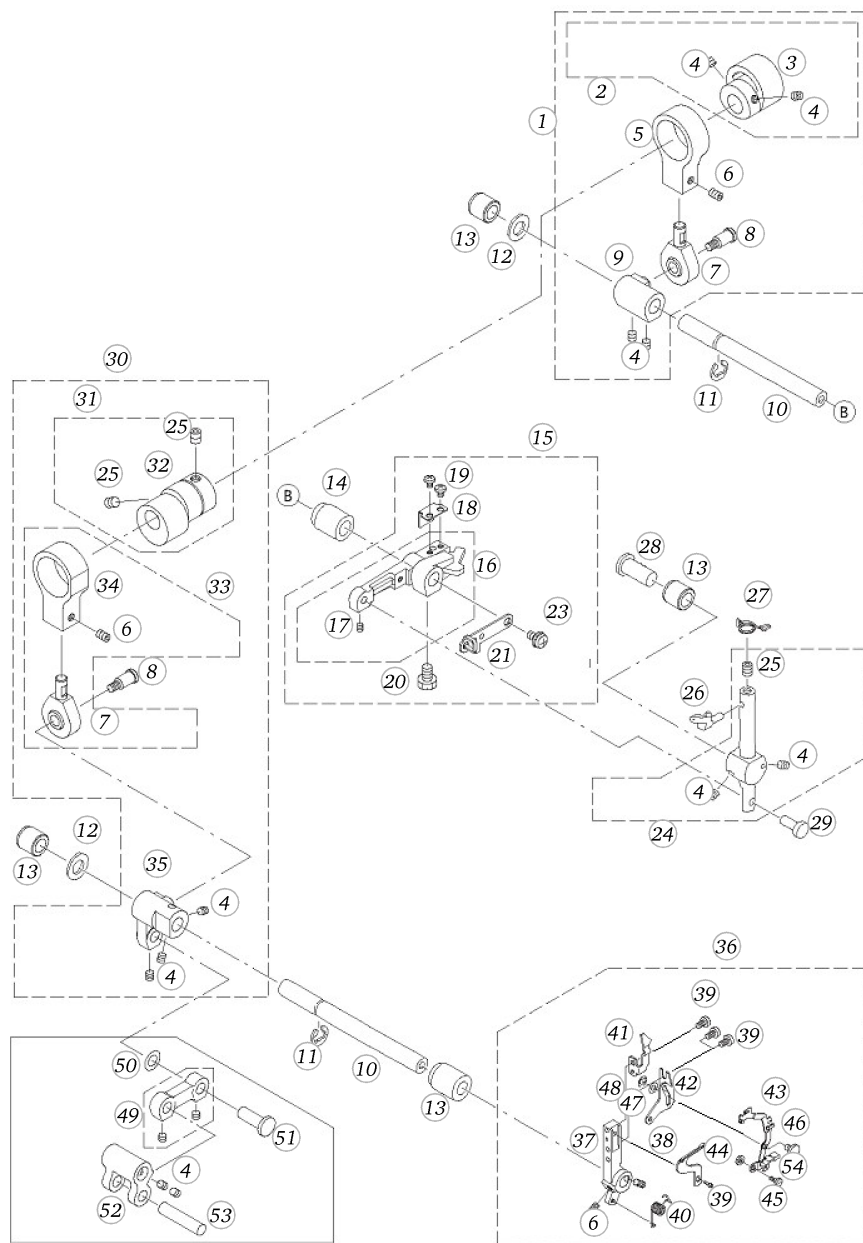
Looper driving system (1300MDC)



Pos	Item number	Description	Supplier Part no.
1	5020107595	UPPER LOOPER CAM CPL. 006D	40061961
2	5020107715	UPPER LOOPER CAM (ASM.)	J40079509
3	5020100348	UPPER LOOPER CAM	
4	5020100835	SCREW	JSM8040402TP
5	5020105400	LOWER LOOPER CAM(ASM.)	
6	5020100837	SCREW	JSM8040602TP
7	5020105785	BALL BEARING LINK	A2503776000
8	5020105946	SCREW	A2504776000
9	5020106828	UPPER LOOPER DRIV.SHAFT	A2505776000
10	5020106832	UPPER LOOPER SHAFT	A2521534000
11	5020100797	E-RING	
12	5020100854	WASHER	
13	5020106017	BUSHING	
14	5020106824	BUSHING	
15	A251013M0C0	UPPPER LOOPER OSC. ARM ASM.	
16	5020106539	UPPER LOOPER ARM	A25101300B0
17	5020100833	SCREW	JSM8030402TP
18	5020106829	RELEASE LEVER PRESSER	
19	5020100816	SCREW	
20	0000000999	(no longer available)	
21	5020109177	LOOPER THREAD	A255813M0A0
23	5020100822	SCREW	
24	5020106540	UPPER LOOPER SHAFT ASM	A25303440A0
25	5020100839	SCREW	JSM8050602TP
26	5020100371	UPPER LOOPER 2000	A2512776000
27	5020100395	THREAD GUIDE 007D	A25215130A0
28	5020106016	UPPER LOOPER GUIDE SHAFT	A2531534000A
29	5020100407	PIN	A2529335000
30	5020105234	LOWER LOOPER ROD (ASM.)	A25159DC0A0
31	5020106013	LOWER LOOPER CAM(ASM.)	A25145340A0B
32	5020107406	LOWER LOOPER CAM	40079646
33	5020106315	LOOPER ARM CONNECTING(ASM.)	A25155340E0
34	5020106830	LOWER LOOPER ROD	A2515534000A
35	5020105329	LOOPER DRIVING ARM	

BERNINA 1150MDA

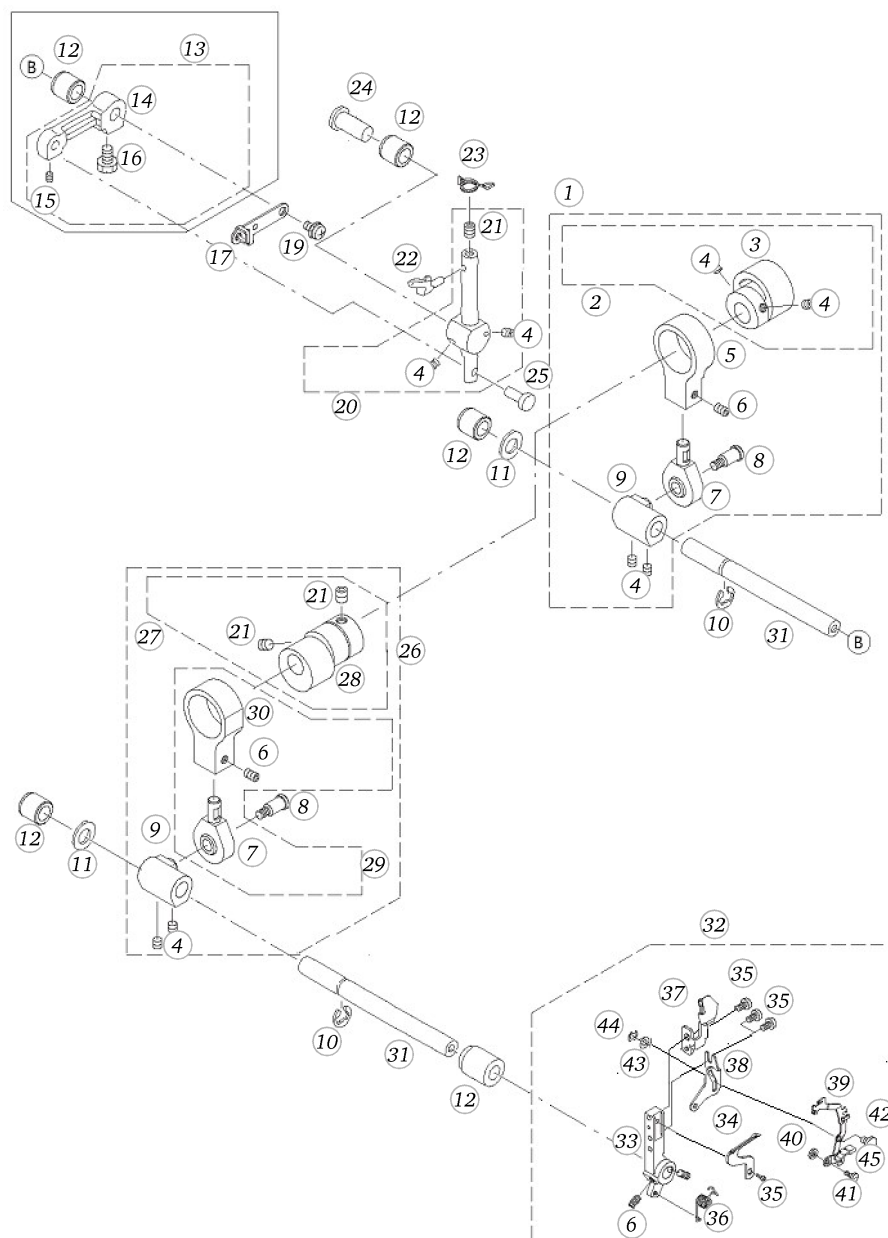
Looper driving system (1300MDC)



Pos	Item number	Description	Supplier Part no.
36	A251713M0A0	LOWER LOOPER SUPP. ARM (ASM.)	
37	5020106831	LOWER LOOPER SUPPORTING ARM	A251733500S
38	5020102101	LOWER LOOPER	J50197503
39	5020100824	SCREW	JSM5030655SN
40	5020105487	SPRING	A253733500SA
41	5020105714	REAR NEEDLE GUARD	A2536554000A
42	5020106834	Lower Looper Thr. Guide base	A253333500S
43	5020107506	LOWER LOOPER THR.GUIDE	A253413M0B0
44	5020100849	WASHER	JWP0320501SC
45	5020100409	SCREW	A253133500S
46	5020106833	CONNECTING PIN	
47	5020100426	WASHER	
48	5020100792	E-RING	JRE020000K0
49	A21015350A0	ARM ASM.	
50	5020105354	WAHSER	JWP0641600SC
51	5020100148	CONNECTING PIN	A1403102000
52	5020105227	DOUBLE CHAIN OSC.ARM	A21029DC000
53	5020106825	CHAIN LOOPER SLIDE SHAFT	A2111335000
54	A116713M000	unknown	

BERNINA 1150MDA

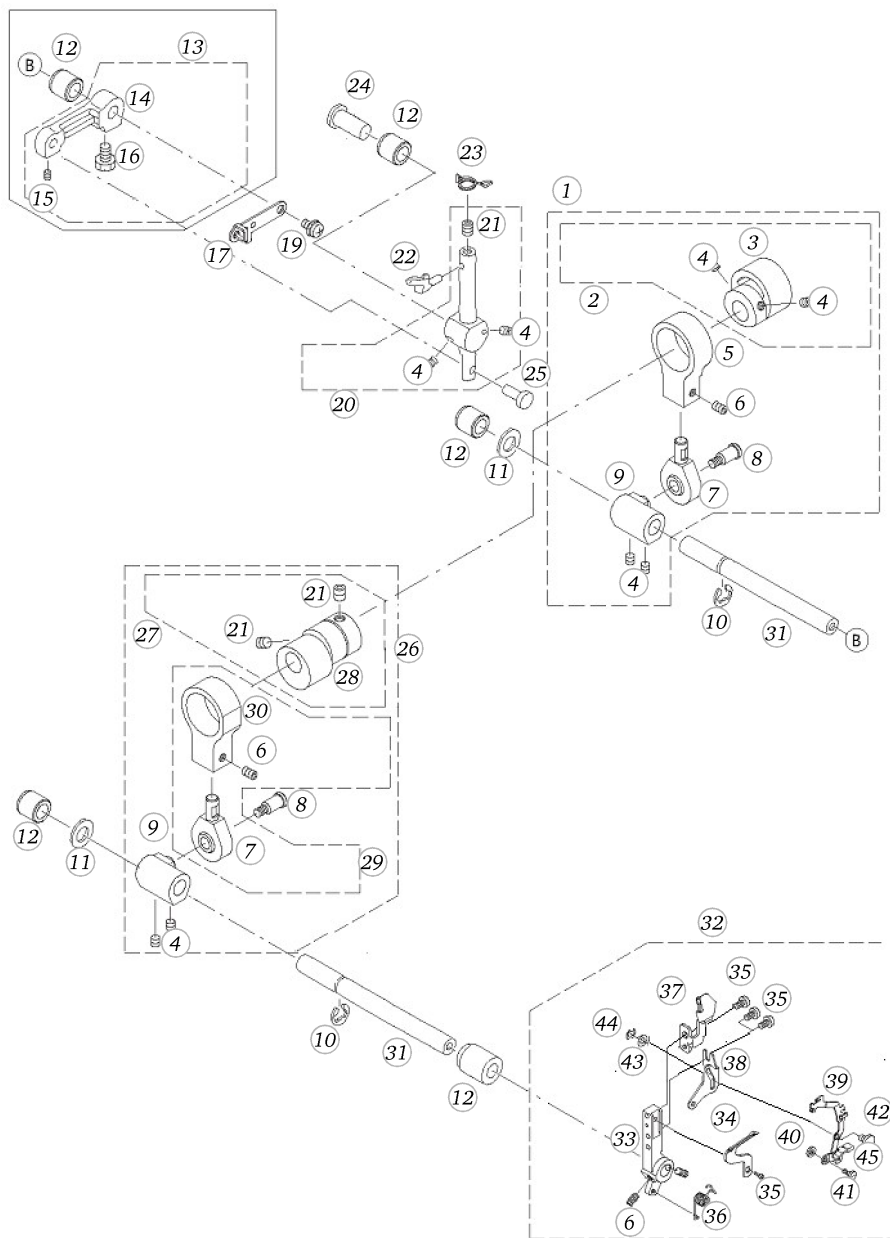
Looper driving system (1150MDA / 1200MDA)



Pos	Item number	Description	Supplier Part no.
1	5020107595	UPPER LOOPER CAM CPL. 006D	40061961
2	5020107715	UPPER LOOPER CAM (ASM.)	J40079509
3	5020100348	UPPER LOOPER CAM	
4	5020100835	SCREW	JSM8040402TP
5	5020105400	LOWER LOOPER CAM(ASM.)	
6	5020100837	SCREW	JSM8040602TP
7	5020105785	BALL BEARING LINK	A2503776000
8	5020105946	SCREW	A2504776000
9	5020106828	UPPER LOOPER DRIV.SHAFT	A2505776000
10	5020100797	E-RING	
11	5020100854	WASHER	
12	5020106017	BUSHING	
13	5020106841	UPPER LOOPER OSC ARM CON.	A25103440A0
14	5020106956	UPPER LOOPER OSC ARM CON.	A2510344000
15	5020100833	SCREW	JSM8030402TP
16	0000000999	(no longer available)	
17	5020109177	LOOPER THREAD	A255813M0A0
19	5020100807	SCREW	JSL5040835SN
20	5020106540	UPPER LOOPER SHAFT ASM	A25303440A0
21	5020100839	SCREW	JSM8050602TP
22	5020100371	UPPER LOOPER 2000	A2512776000
23	5020100395	THREAD GUIDE 007D	A25215130A0
24	5020106016	UPPER LOOPER GUIDE SHAFT	A2531534000A
25	5020100407	PIN	A2529335000
26	5020106228	LOWER LOOPER ROD(ASM.)	A25155340A0B
27	5020106013	LOWER LOOPER CAM(ASM.)	A25145340A0B
28	5020107406	LOWER LOOPER CAM	40079646
29	5020106315	LOOPER ARM CONNECTING(ASM.)	A25155340E0
30	5020106830	LOWER LOOPER ROD	A2515534000A
31	5020106832	UPPER LOOPER SHAFT	A2521534000
32	5020107435	LOWER LOOPER SUPP. ARM (ASM.)	
33	5020106831	LOWER LOOPER SUPPORTING ARM	A251733500S
34	5020102101	LOWER LOOPER	J50197503
35	5020100824	SCREW	JSM5030655SN

BERNINA 1150MDA

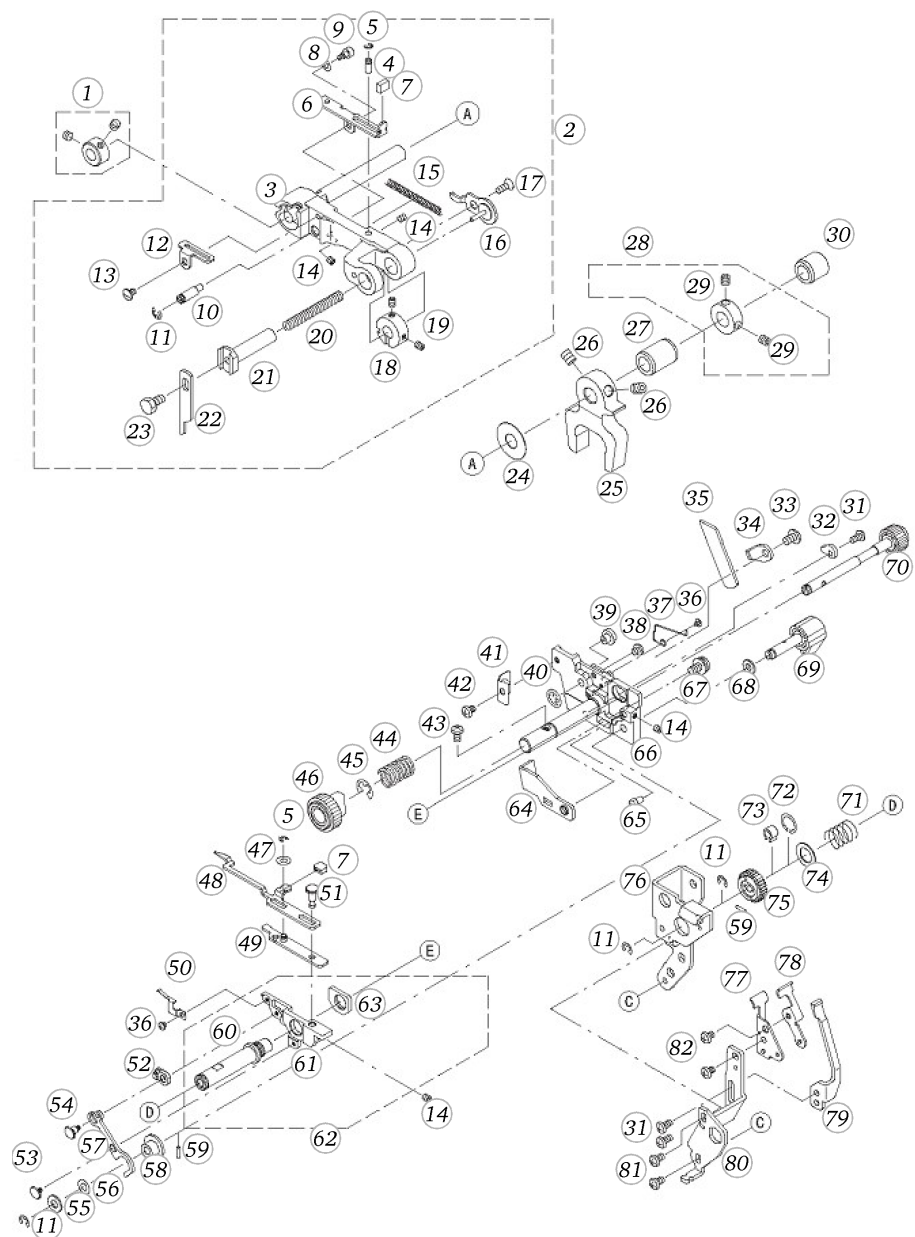
Looper driving system (1150MDA / 1200MDA)



Pos	Item number	Description	Supplier Part no.
36	5020105487	SPRING	A253733500SA
37	5020107567	NEEDLE GUARD	A2536800000A
38	5020106834	Lower Looper Thr. Guide base	A253333500S
39	5020107506	LOWER LOOPER THR.GUIDE	A253413M0B0
40	5020100849	WASHER	JWP0320501SC
41	5020100409	SCREW	A253133500S
42	5020106833	CONNECTING PIN	
43	5020100426	WASHER	
44	5020100792	E-RING	JRE0200000K0
45	A116713M000	unknown	

BERNINA 1150MDA

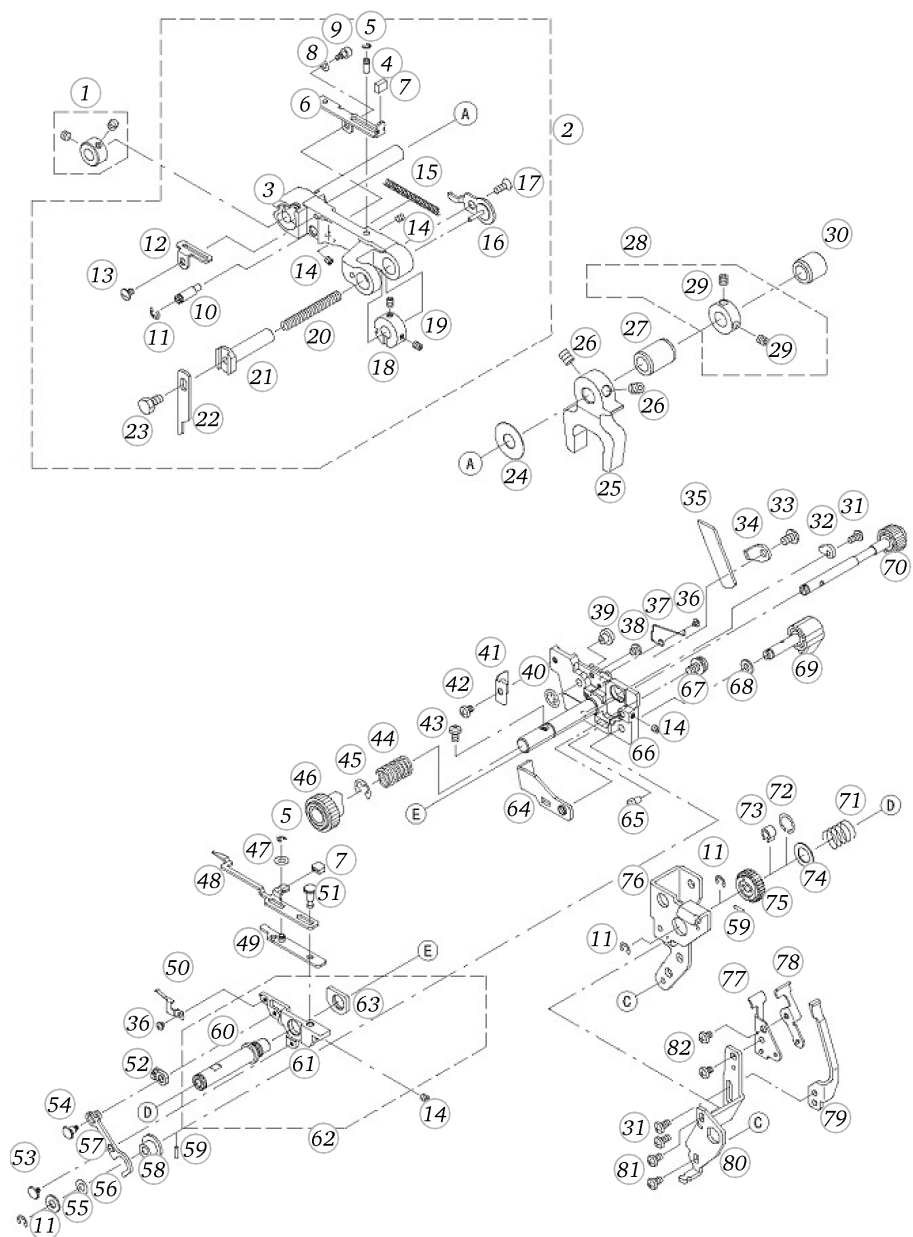
Upper thread cutter (1300MDC)



Pos	Item number	Description	Supplier Part no.
1	5020100309	THRUST COLLAR ASM.	
2	5020106544	UPPER KNIFE ARM ASSY.	A41011300B0
3	5020106766	UPPER KNIFE DRIVING ARM ASM	A41011300A0A
4	A4114130000	PIN	
5	5020100792	E-RING	JRE0200000K0
6	5020106544	UPPER KNIFE ARM ASSY.	A41011300B0
7	5020106700	THREAD SLIPPER CAP	A116731500AA
8	5020100426	WASHER	
9	5020106781	SCREW	
10	5020106544	UPPER KNIFE ARM ASSY.	A41011300B0
11	5020100794	E-RING	JRE0300000K0
12	5020106772	UPPER KNIFE RELEASE GUIDE PLATE	
13	5020105353	SCREW	JSM0030401SC
14	5020100832	SCREW	SM8030302TP
15	5020106777	SPRING	
16	5020106769	KNIFE SPRING SUPP.PLATE (ASM.)	
17	5020100810	SCREW	
18	5020100560	UPP.KNIFE TURNING KNOB	A4105776000A
19	5020100833	SCREW	JSM8030402TP
20	5020100561	KNIFE PRESSER SPRING	A4106535000
21	5020100558	UPPER KNIFE HOLDER	A4103535000
22	5020100594	UPPER KNIFE 2000	A4142335000
23	5020100843	SCREW	JSM9040803SD
24	5020106770	WASHER	
25	5020107366	UPPER KNIFE FORKED ARM	40072481
26	5020100839	SCREW	JSM8050602TP
27	5020106011	UPPER KNIFE SHAFT FRONT BUSH	
28	5020100167	THRUST COLLAR ASM.	
29	5020100835	SCREW	JSM8040402TP
30	5020106017	BUSHING	
31	5020100817	SCREW	JSM4030655SP
32	5020100571	LOWER KNIFE SUPP.PLATE	A4124335000
33	5020106102	SCREW	JSM4040655SP
34	5020100570	LOWER KNIFE PRESSER PLATE	A4123335000

BERNINA 1150MDA

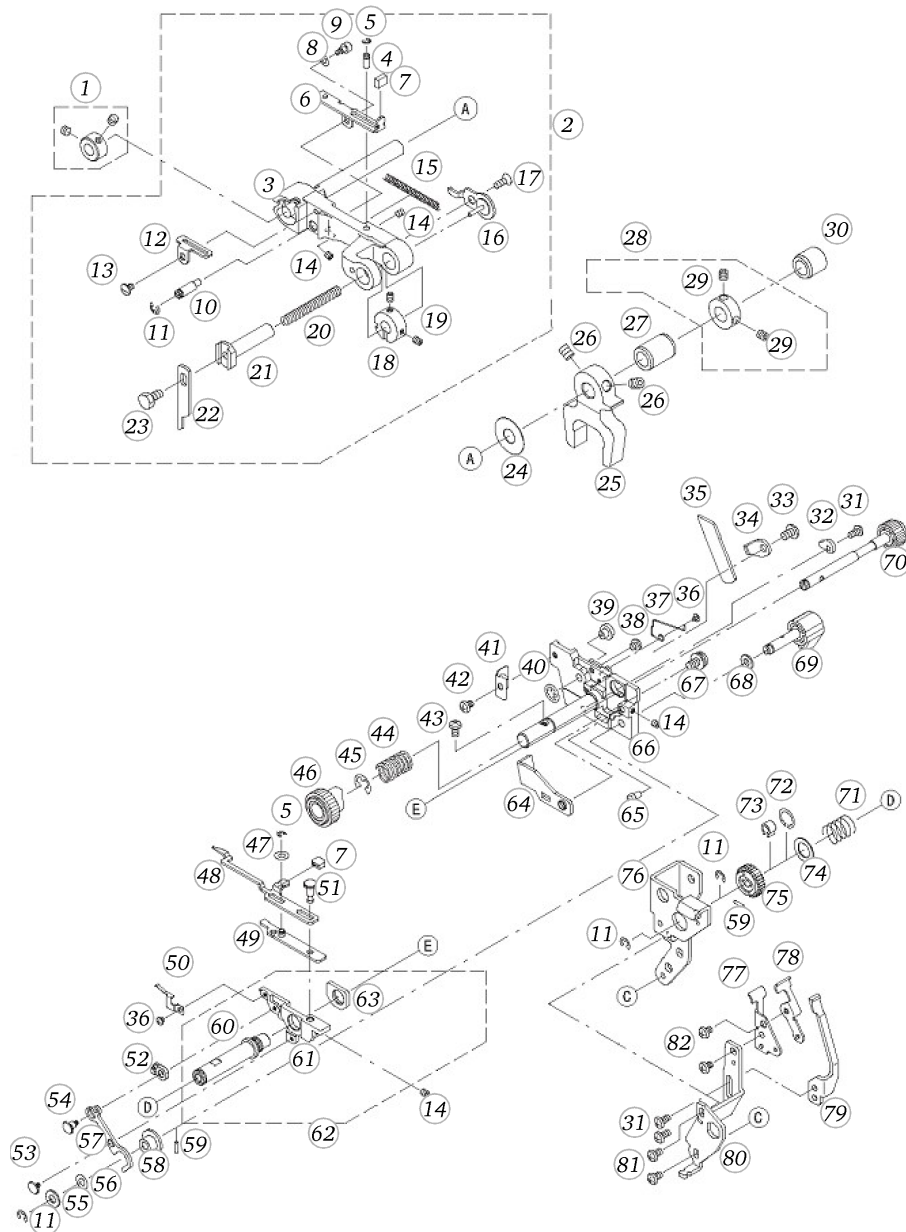
Upper thread cutter (1300MDC)



Pos	Item number	Description	Supplier Part no.
35	5020100595	LOWER KNIFE 2000	A4145335000
36	5020107147	SCREW	
37	5020107547	SPRING	A414213M000
38	5020100821	SCREW	JSM5030355SN
39	A4149535000	CAM	
40	5020100544	LOCKNUT	
41	5020106780	LOWER KNIFE HOLDER GUARD PLAT	
42	5020100815	SCREW	JSM4030455SN
43	5020106099	SCREW	
44	A4136344000	LOWER KNIFE HOLDER SPRING	
45	5020100796	E-RING	JRE0500000K0
46	5020107244	CAM	A412813M000
47	5020100849	WASHER	JWP0320501SC
48	5020107106	STITCH FORMATION GUIDE	A113613M000
49	5020107180	MICRO THREAD CONTROL	A412513M0A0
50	5020107495	Stitch tongue support spring	A413613M000
51	5020107253	THREAD SLIP FULCRUM SHAFT	A4135345000
52	5020107357	CAM FOR MICRO THREAD CONTROL	A413713M000
53	5020107498	Screw	A415613M000
54	5020107497	Stitch tongue moving cam shaft	A413913M000
55	5020105317	WASHER	A1636534D00
56	5020107228	WASHER	
57	5020107496	Stitch tongue moving arm	A413813M000
58	5020107181	Stitch tongue control cam	A414113M000
59	5020107227	SPRING PIN	JPS0150065KP
60	A412013M000	Unknown	
61	5020107215	THR.SLIP ATT BASE	A415013M000
62	5020107202	ADJUSTING CAM	A415013M0A0
63	A415113M000	Unknown	
64	5020106788	CHIP GUARD COVER STOPPER	
65	A1458700000	Screw	
66	A412113M0A0	LOWER KNIFE HOLDER	
67	5020100807	SCREW	JSL5040835SN
68	5020105037	WASHER	

BERNINA 1150MDA

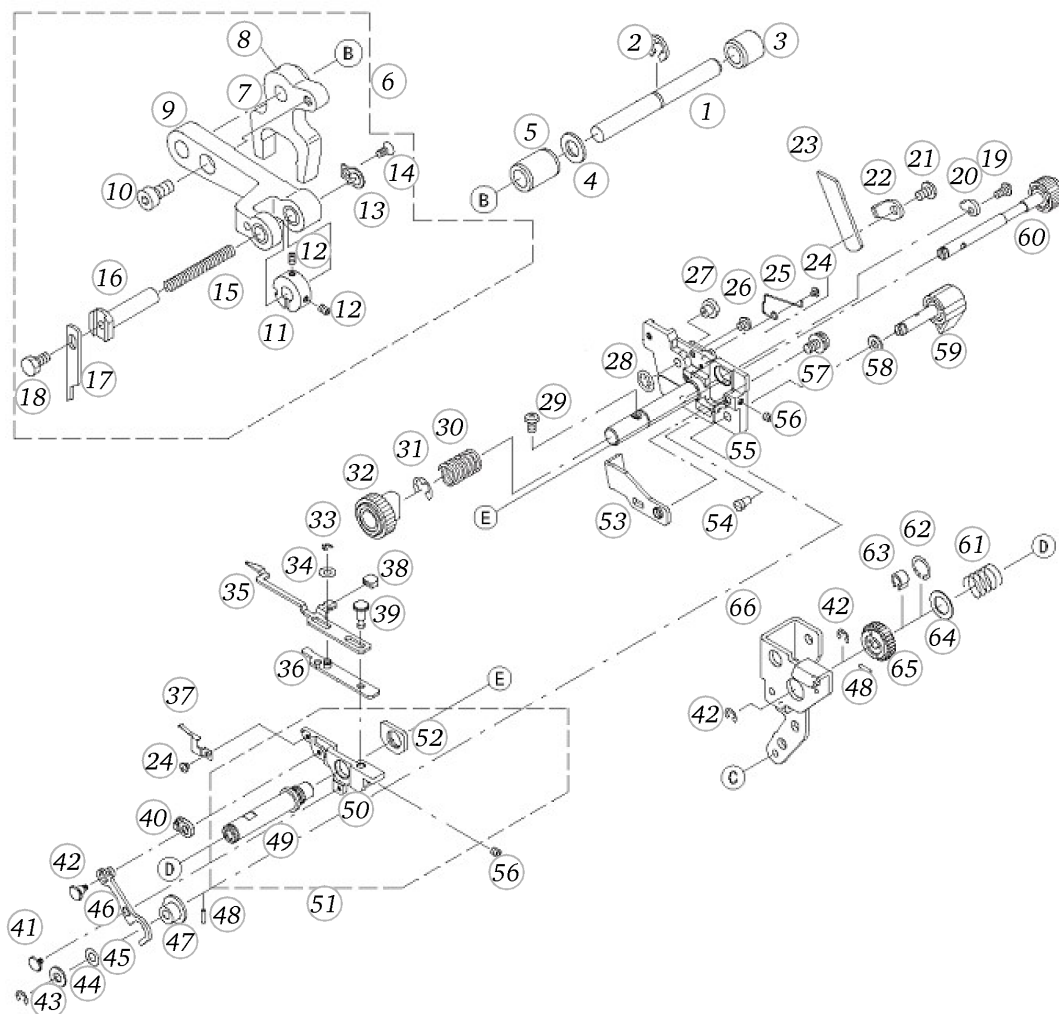
Upper thread cutter (1300MDC)



Pos	Item number	Description	Supplier Part no.
69	A414013M000	Unknown	
70	5020107186	LOWER KNIFE ADJ.KNOB	A413013M000
71	A415813M000	Spring	
72	5020100486	C-RING	
73	5020107415	LOWER KNIFE DRIV.GEAR SPACER	A415713M000
74	A415913M000	Unknown	
75	5020107246	LOWER KNIFE ADJ.CAM	
76	A413113M0A0	Unknown	
77	5020107135	CHAIN NEEDLE GUARD CPL	A21601300A0
78	5020106546	FRONT NEEDLE GUARD (CHAIN)	A2160130000
79	5020100415	OL NEEDLE GUARD, FRONT 008D	A2535655000
80	5020106734	NEEDLE GUARD FIXING BASE	A2537130000
81	5020106103	SCREW	
82	5020100816	SCREW	

BERNINA 1150MDA

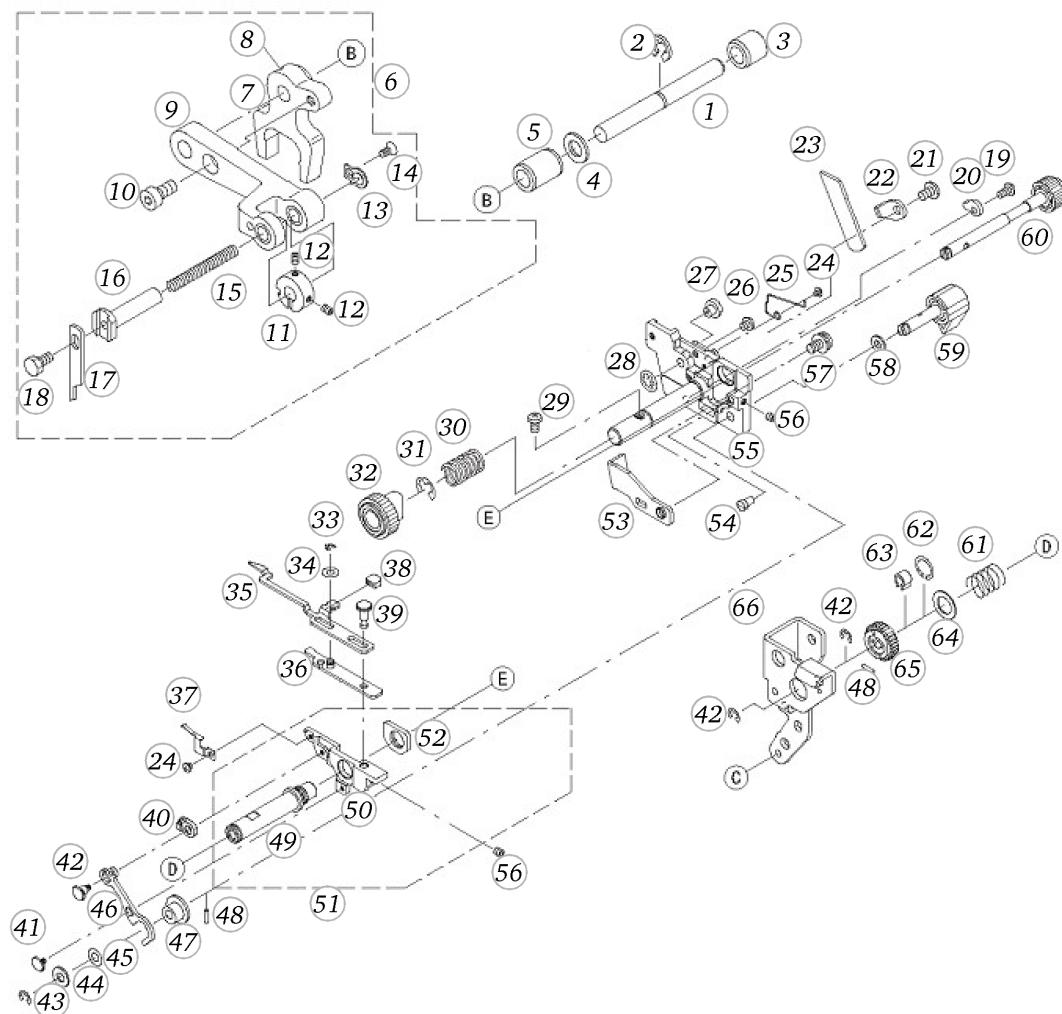
Upper thread cutter (1150MDA / 1200MDA)



Pos	Item number	Description	Supplier Part no.
1	5020106050	UPPER KNIFE SHAFT	A4108535000
2	5020100797	E-RING	
3	5020106017	BUSHING	
4	5020100854	WASHER	
5	5020106011	UPPER KNIFE SHAFT FRONT BUSH	
6	5020106044	UPPER KNIFE DRIV.ARM(ASM.)	A41018000A0
7	5020107348	UPPER KNIFE DRIVING ARM	J40072483
8	5020100835	SCREW	JSM8040402TP
9	5020100551	UPPER KNIFE DRIVING ARM	A4101503000C
10	5020106108	SCREW	
11	5020100560	UPP.KNIFE TURNING KNOB	A4105776000A
12	5020100833	SCREW	JSM8030402TP
13	5020100562	KNIFE SPRING SUPP.PLATE(ASM.)	A41075020A0
14	5020100810	SCREW	
15	5020100561	KNIFE PRESSER SPRING	A4106535000
16	5020100558	UPPER KNIFE HOLDER	A4103535000
17	5020100594	UPPER KNIFE 2000	A4142335000
18	5020100843	SCREW	JSM9040803SD
19	5020100817	SCREW	JSM4030655SP
20	5020100571	LOWER KNIFE SUPP.PLATE	A4124335000
21	5020106102	SCREW	JSM4040655SP
22	5020100570	LOWER KNIFE PRESSER PLATE	A4123335000
23	5020100595	LOWER KNIFE 2000	A4145335000
24	5020107147	SCREW	
25	5020107547	SPRING	A414213M000
26	5020100821	SCREW	JSM5030355SN
27	A4149535000	CAM	
28	5020100544	LOCKNUT	
29	5020106099	SCREW	
30	A4136344000	LOWER KNIFE HOLDER SPRING	
31	5020100796	E-RING	JRE0500000K0
32	5020107244	CAM	A412813M000
33	5020100792	E-RING	JRE0200000K0
34	5020100849	WASHER	JWP0320501SC

BERNINA 1150MDA

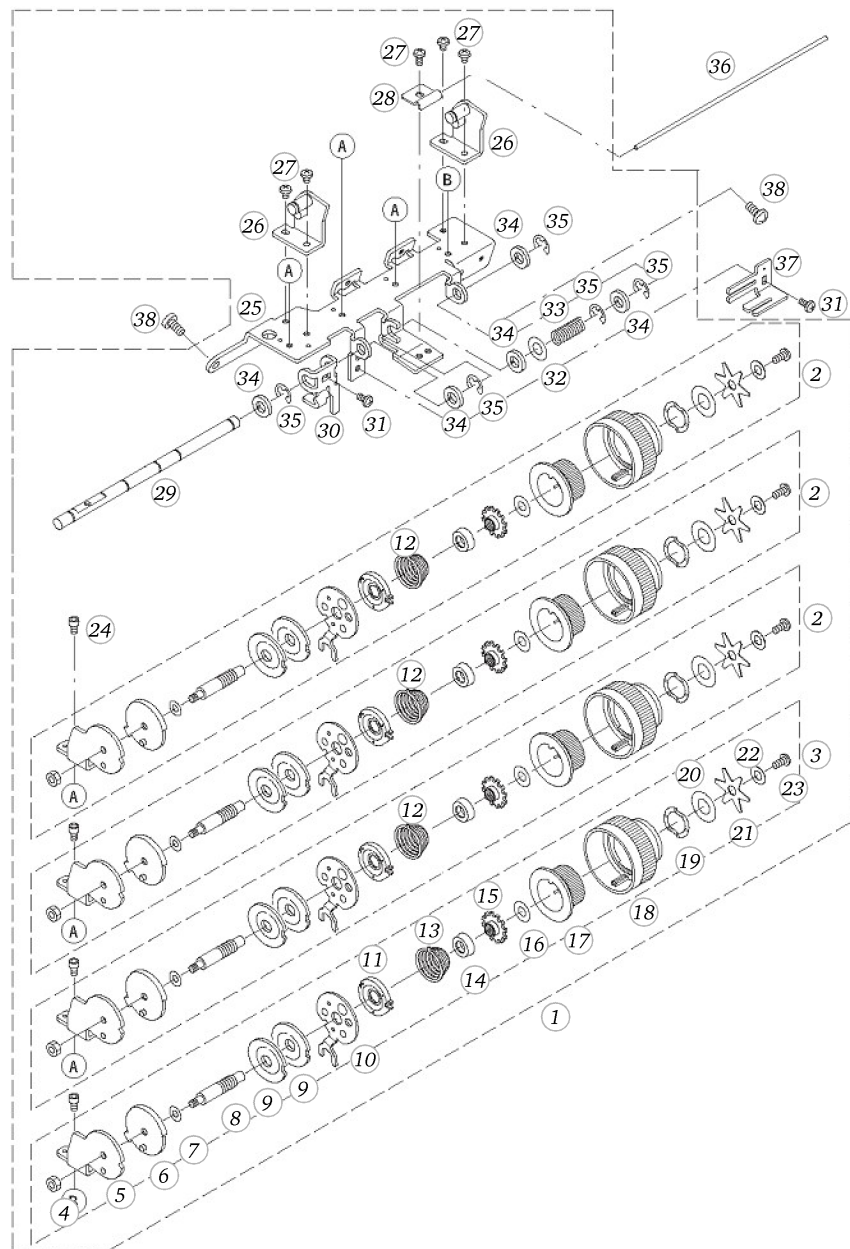
Upper thread cutter (1150MDA / 1200MDA)



Pos	Item number	Description	Supplier Part no.
35	5020107106	STITCH FORMATION GUIDE	A113613M000
36	5020107180	MICRO THREAD CONTROL	A412513M0A0
37	5020107495	Stitch tongue support spring	A413613M000
38	5020106700	THREAD SLIPPER CAP	A116731500AA
39	5020107253	THREAD SLIP FULCRUM SHAFT	A4135345000
40	5020107357	CAM FOR MICRO THREAD CONTROL	A413713M000
41	5020107498	Screw	A415613M000
42	5020100794	E-RING	JRE0300000K0
42	5020107497	Stitch tongue moving cam shaft	A413913M000
43	5020100794	E-RING	JRE0300000K0
44	5020105317	WASHER	A1636534D00
45	5020107228	WASHER	
46	5020107496	Stitch tongue moving arm	A413813M000
47	5020107181	Stitch tongue control cam	A414113M000
48	5020107227	SPRING PIN	JPS0150065KP
49	A412013M000	Unknown	
50	5020107215	THR.SLIP ATT BASE	A415013M000
51	5020107202	ADJUSTING CAM	A415013M0A0
52	A415113M000	Unknown	
53	A4147535000	PLATE	
54	A1458700000	Screw	
55	5020107195	LOWER KNIFE	A412111M0A0
56	5020100832	SCREW	SM8030302TP
57	5020100807	SCREW	JSL5040835SN
58	5020105037	WASHER	
59	A414013M000	Unknown	
60	5020107186	LOWER KNIFE ADJ.KNOB	A413013M000
61	A415813M000	Spring	
62	5020100486	C-RING	
63	5020107415	LOWER KNIFE DRIV.GEAR SPACER	A415713M000
64	A415913M000	Unknown	
65	5020107246	LOWER KNIFE ADJ.CAM	
66	A413113M0A0	Unknown	

BERNINA 1150MDA

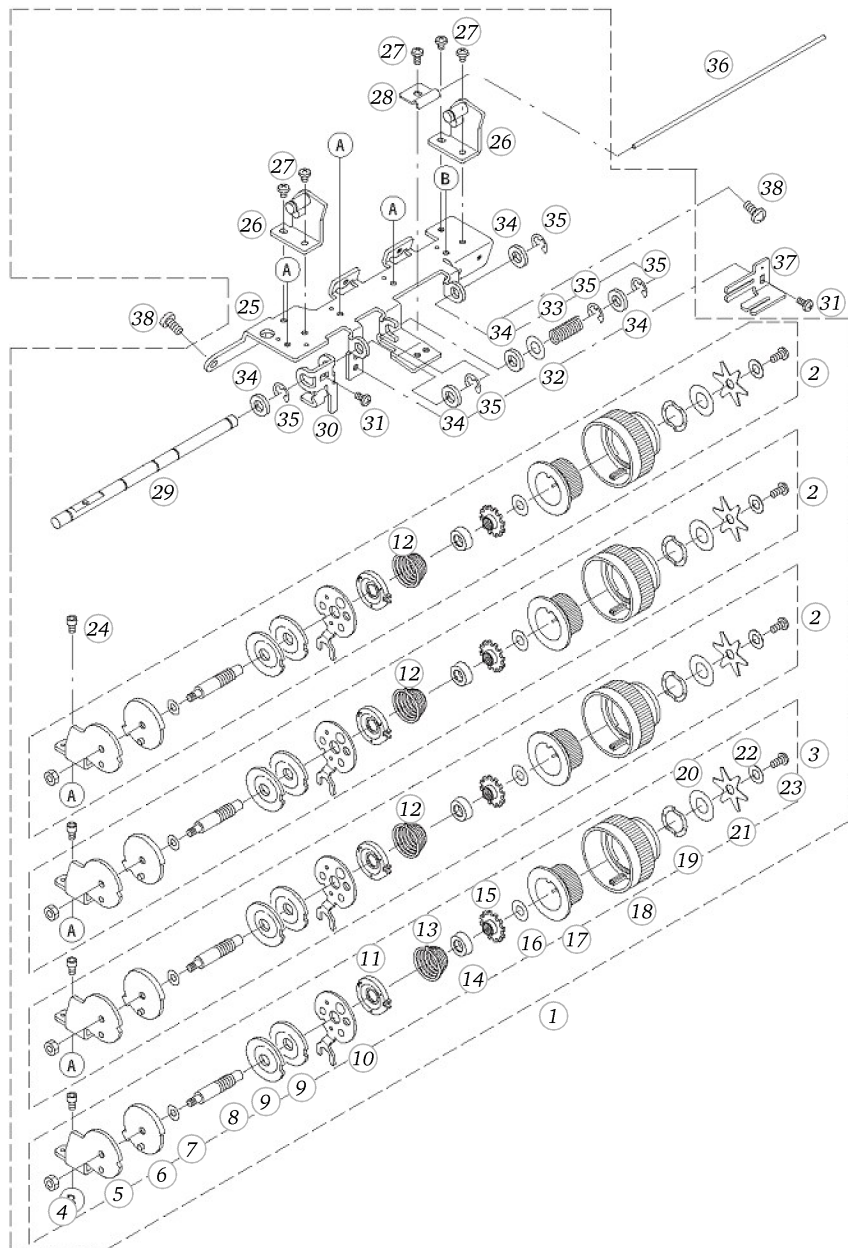
Thread tension (1150MDA)



Pos	Item number	Description	Supplier Part no.
1	5020107578	THREAD TENSION UNIT MAS ASM	A31501300B0A
2	5020107586	THREAD TENSION ADJ. PLATE A	A3150110AA0B
3	5020107568	THREAD TENSION ADJ.PLATE	A3150130BA0A
4	NS6090310SP	NUT	
5	5020105509	THR.TENS.ADJ.PLATE	
6	A3127110000A	THR.TENS.DISK SETT.PLATE	
7	WP0380516SD	WASHER	
8	5020107700	THREAD TENS.SHAFT	A3149110000A
9	5020106859	THREAD TENS.DISK	A3910634000B
10	5020105498	THR.TENS.RELEASE PLATE	
11	5020100547	THREAD TENS.SPRING RECEIVER	A3900634000
12	5020105660	LEFT NEEDLE TENS.SPRING	A3903634000
13	5020100548	SPRING 006D	A3906634000
14	5020105491	THR.TENS.SPRING COLLAR	A3107110000
15	5020105402	TENSION NUT	
16	WP0510516SD	WASHER	
17	5020105506	THR.TENS.ADJ.GEAR	A3151110000
18	5020107588	THREAD TENS.DIAL	A3150110A00B
19	5020107437	WAVED WASHER	
20	5020105543	WASHER	WP0841600SE
21	5020105507	THR.TENS.PLATE DIAL PRESSER	A3152110000
22	5020105334	WASHER	A31099DC000
23	SS5080710SP	SCREW	
24	5020105542	SCREW	
25	5020105508	THR.TENS.MOUNTING PLATE	
26	5020105440	HANDLE MOUNTING PLATE	
27	5020100822	SCREW	
28	5020105510	THREADING GUIDE BAR PLATE	
29	5020105477	THR.TENS.RELEASE SHAFT	
30	5020105479	THR.TENS.REL.JOINT PLATE	
31	5020100824	SCREW	JSM5030655SN
32	5020105354	WAHSER	JWP0641600SC
33	5020105478	SPRING	
34	5020105481	WASHER	

BERNINA 1150MDA

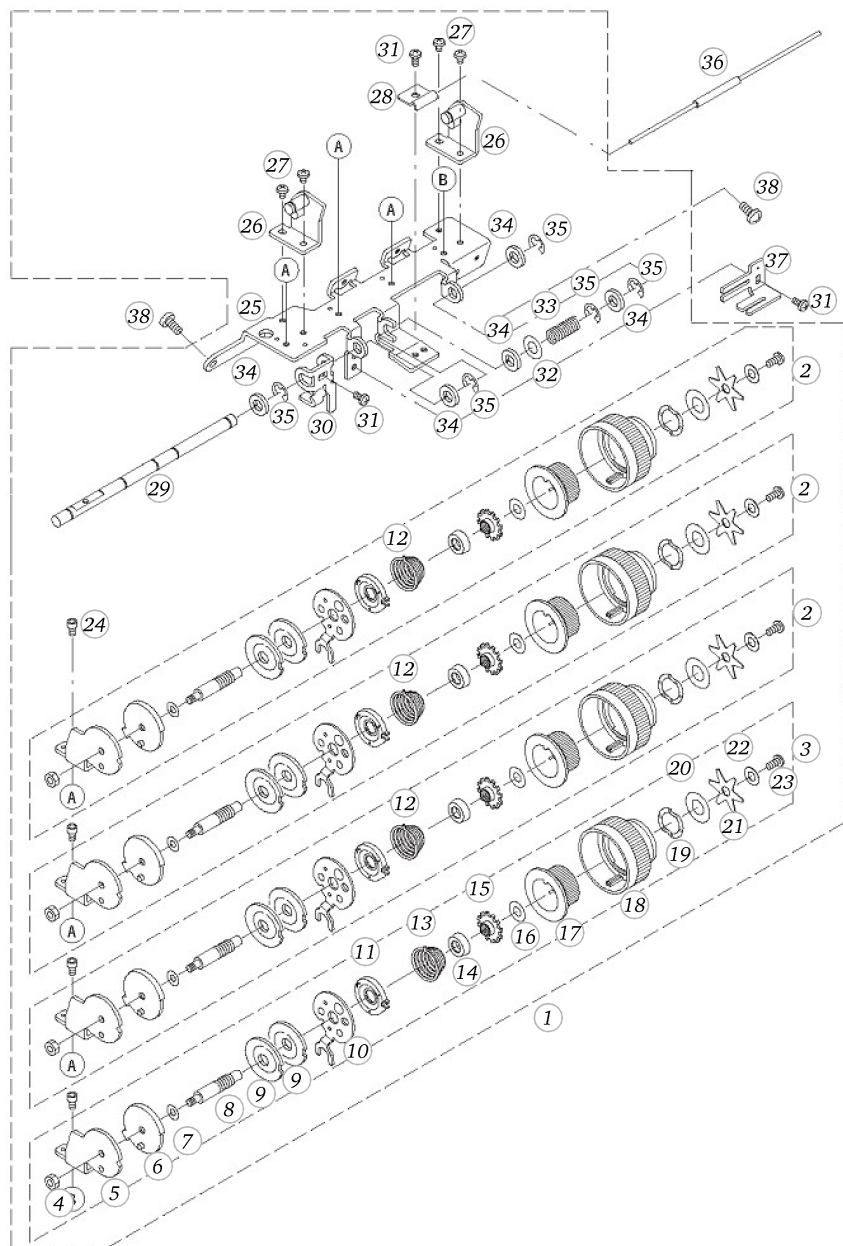
Thread tension (1150MDA)



Pos	Item number	Description	Supplier Part no.
35	5020100796	E-RING	JRE0500000K0
36	5020100183	2ND THREAD GUIDE	
37	5020105480	THR.TENS.REL.LINK GUIDE PLATE	
38	5020100828	SCREW	JSM5040855SN

BERNINA 1150MDA

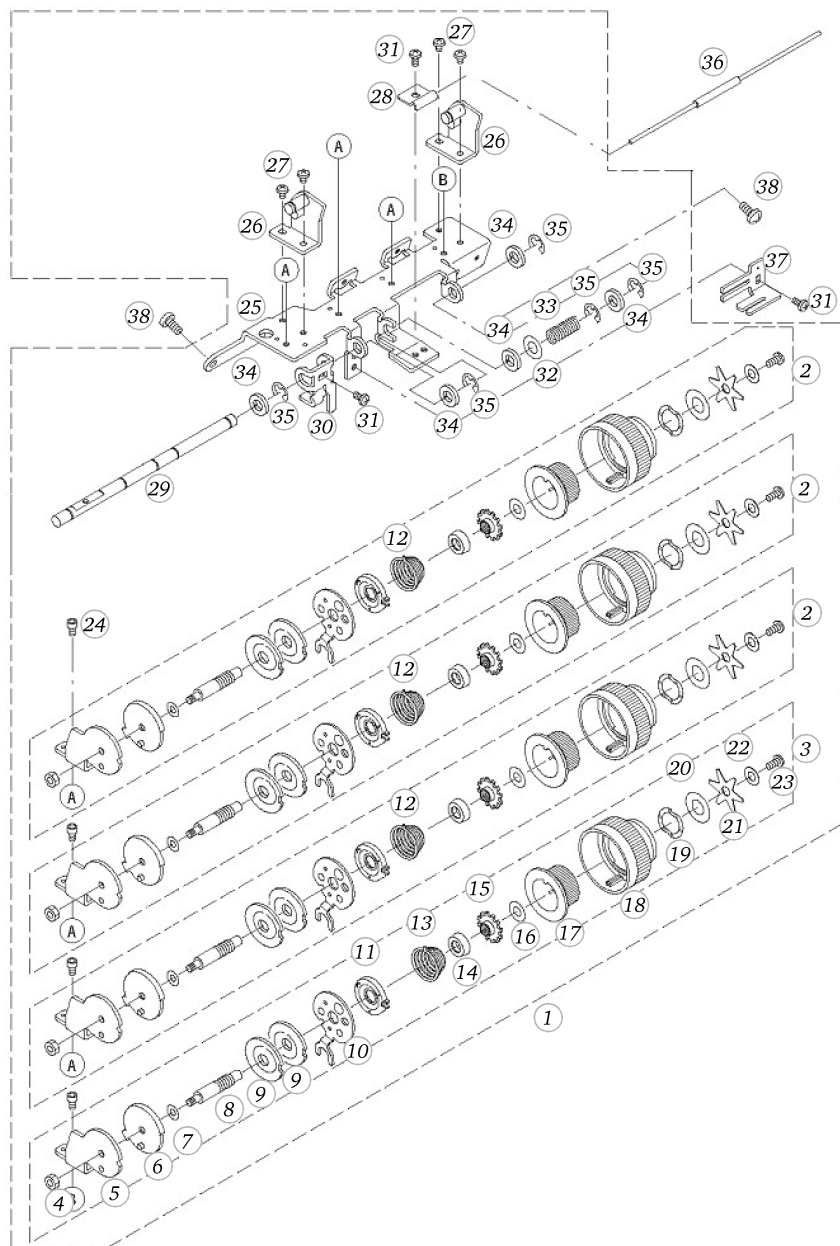
Thread tension (1300MDC / 1200MDA)



Pos	Item number	Description	Supplier Part no.
1	5020107578	THREAD TENSION UNIT MAS ASM	A31501300B0A
2	5020107586	THREAD TENSION ADJ. PLATE A	A3150110AA0B
3	5020107568	THREAD TENSION ADJ.PLATE	A3150130BA0A
4	NS6090310SP	NUT	
5	5020105509	THR.TENS.ADJ.PLATE	
6	A3127110000A	THR.TENS.DISK SETT.PLATE	
7	WP0380516SD	WASHER	
8	5020107700	THREAD TENS.SHAFT	A3149110000A
9	5020106859	THREAD TENS.DISK	A3910634000B
10	5020105498	THR.TENS.RELEASE PLATE	
11	5020100547	THREAD TENS.SPRING RECEIVER	A3900634000
12	5020105660	LEFT NEEDLE TENS.SPRING	A3903634000
13	5020100548	SPRING 006D	A3906634000
14	5020105491	THR.TENS.SPRING COLLAR	A3107110000
15	5020105402	TENSION NUT	
16	WP0510516SD	WASHER	
17	5020105506	THR.TENS.ADJ.GEAR	A3151110000
18	5020107588	THREAD TENS.DIAL	A3150110A00B
19	5020107437	WAVED WASHER	
20	5020105543	WASHER	WP0841600SE
21	5020105507	THR.TENS.PLATE DIAL PRESSER	A3152110000
22	5020105334	WASHER	A31099DC000
23	SS5080710SP	SCREW	
24	5020105542	SCREW	
25	5020105508	THR.TENS.MOUNTING PLATE	
26	5020105440	HANDLE MOUNTING PLATE	
27	5020100822	SCREW	
28	5020105510	THREADING GUIDE BAR PLATE	
29	5020105477	THR.TENS.RELEASE SHAFT	
30	5020105479	THR.TENS.REL.JOINT PLATE	
31	5020100824	SCREW	JSM5030655SN
32	5020105354	WAHSER	JWP0641600SC
33	5020105478	SPRING	
34	5020105481	WASHER	

BERNINA 1150MDA

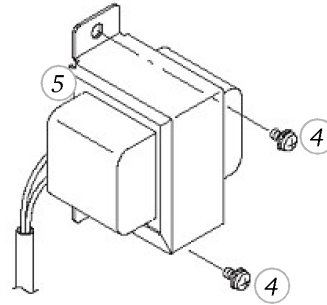
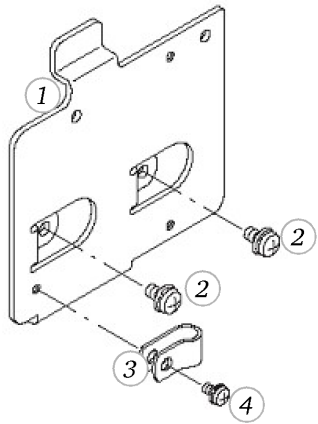
Thread tension (1300MDC / 1200MDA)



Pos	Item number	Description	Supplier Part no.
35	5020100796	E-RING	JRE0500000K0
36	5020106714	2ND THREAD GUIDE	
37	5020105480	THR.TENS.REL.LINK GUIDE PLATE	
38	5020100828	SCREW	JSM5040855SN

BERNINA 1150MDA

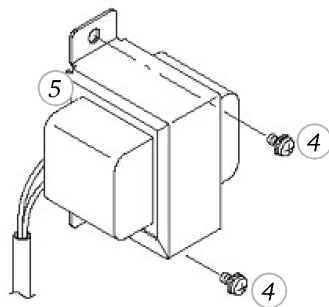
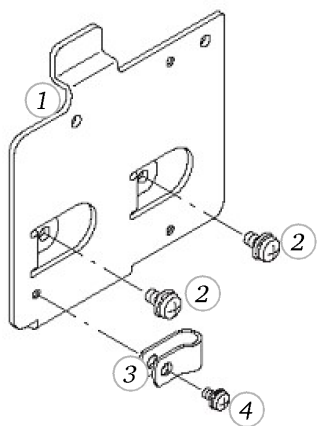
Transformer (1150MDA (110V))



Pos	Item number	Description	Supplier Part no.
1	5020105741	TRANS BRACKET	
2	5020100807	SCREW	JSL5040835SN
3	5020100786	CABLE CLIP	
4	5020106191	SCREW	
5	5020107069	TRANSFORMER UL/CSA	A601410D0A0A

BERNINA 1150MDA

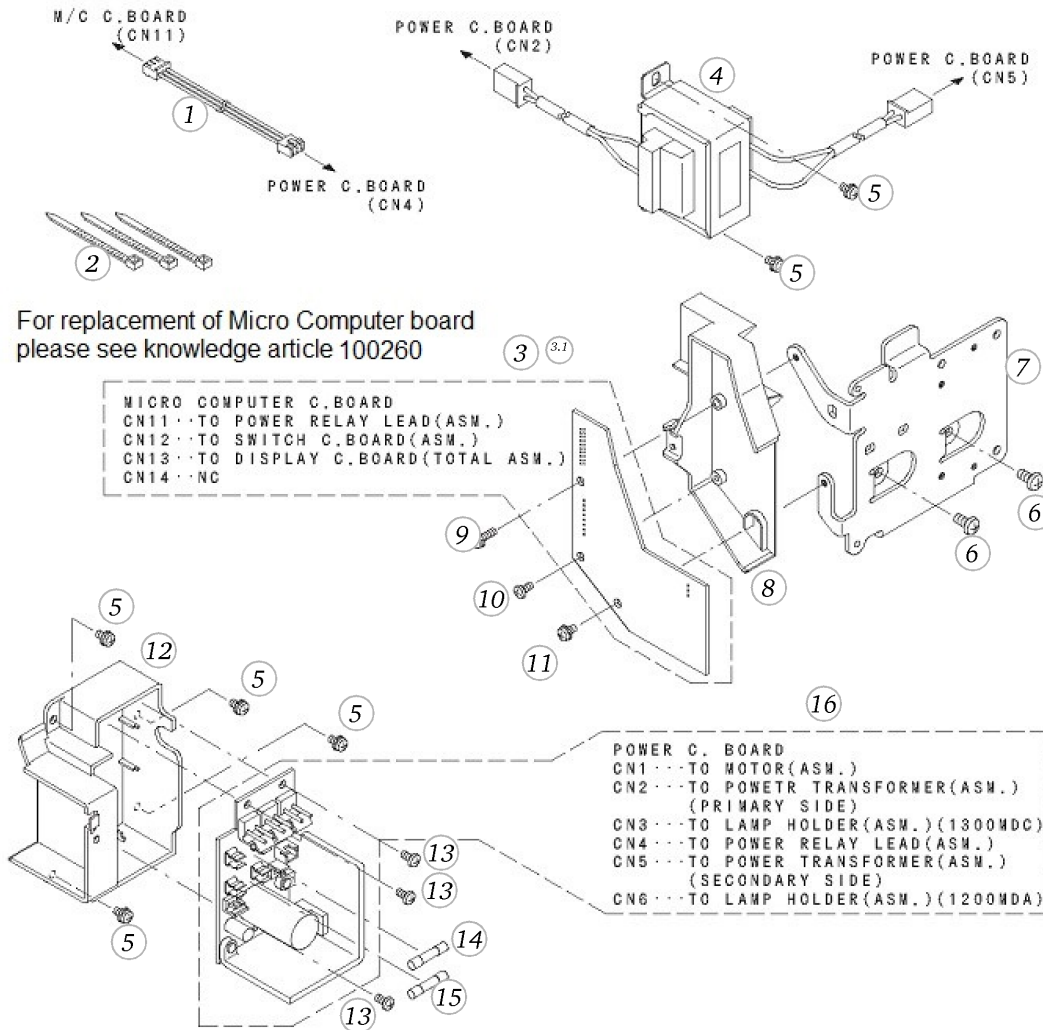
Transformer (1150MDA (230/240V))



Pos	Item number	Description	Supplier Part no.
1	5020105741	TRANS BRACKET	
2	5020100807	SCREW	JSL5040835SN
3	5020100786	CABLE CLIP	
4	5020106191	SCREW	
5	5020107115	TRANSFORMER VDE/SAA/BS/S.AFR	A601411M0AA

BERNINA 1150MDA

Main PCB (1300MDC (110V))

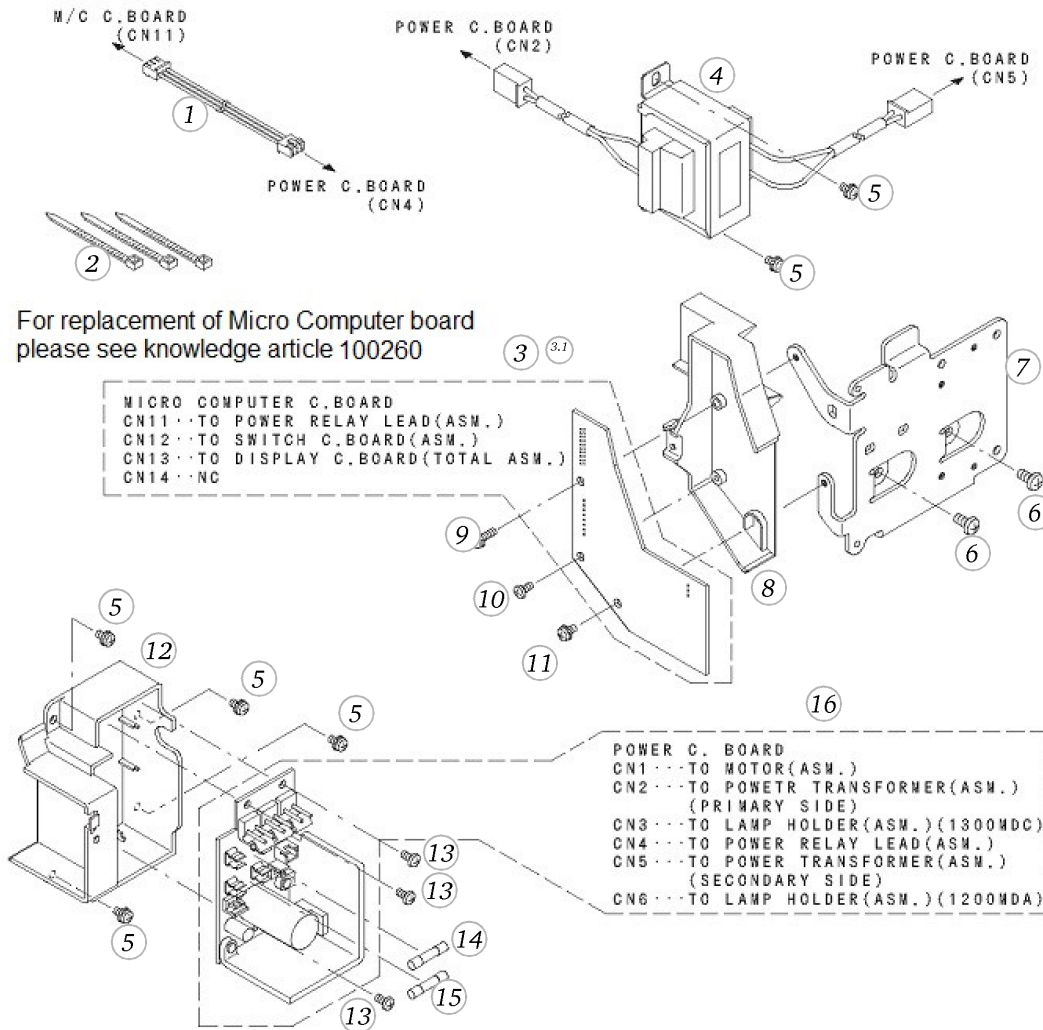


For replacement of Micro Computer board please see knowledge article 100260

Pos	Item number	Description	Supplier Part no.
1	5020106801	LEAD WIRE ASM	A60651300A0
2	5020100549	BAND	
3	5020107052	CPU BOARD	A605113M0A0
4	5020107053	TRANSFORMER UL/CSA	A601413M0A0
5	5020100802	SCREW	JSL5030631SF
6	5020100807	SCREW	JSL5040835SN
7	5020106802	TRANSFORMER BRACKET	
8	5020106796	MICRO COMPUTER CIRCUIT BOARD COVER	
9	5020100804	SCREW	
10	5020100846	SCREW	
11	5020106092	SCREW	JSL5030635SN
12	5020106800	MAIN POWER BOARD CASE	
13	5020100847	SCREW	JST5030851SN
14	5020106573	FUSES	JHF002900200
15	5020107060	FUSE 2A/125V	JHF0082020P0
16	5020107055	POWER SUPPLY BOARD UL/CSA	A60611300A0A

BERNINA 1150MDA

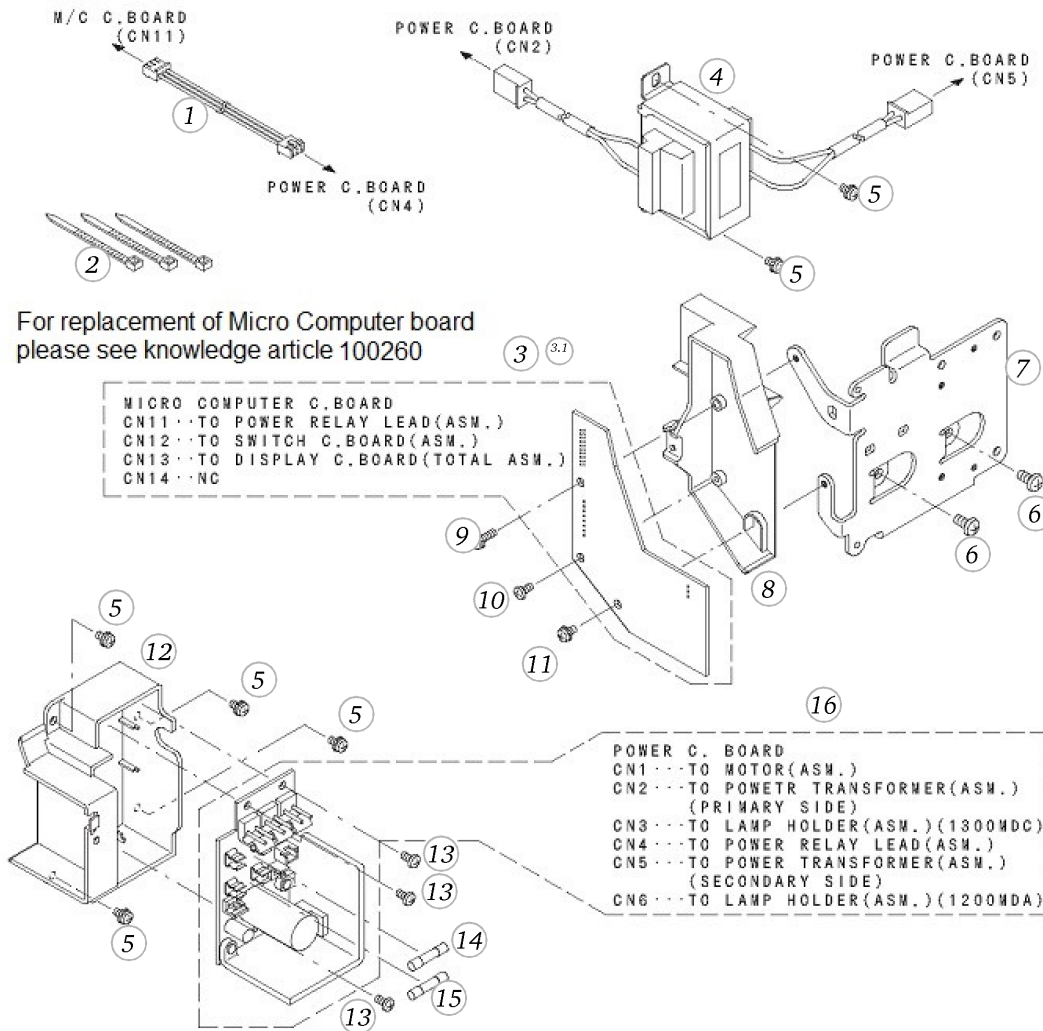
Main PCB (1300MDC (230/240V))



Pos	Item number	Description	Supplier Part no.
1	5020106801	LEAD WIRE ASM	A60651300A0
2	5020100549	BAND	
3	5020107698	CPU BOARD	A605113M0A0B
3.1	5020109180	CPU BOARD	40130491
4	5020107054	TRANSFORMER VDE/SAA/BS/S.AFR	A601413M0AA
5	5020100802	SCREW	JSL5030631SF
6	5020100807	SCREW	JSL5040835SN
7	5020106802	TRANSFORMER BRACKET	
8	5020106796	MICRO COMPUTER CIRCUIT BOARD COVER	
9	5020100804	SCREW	
10	5020100846	SCREW	
11	5020106092	SCREW	JSL5030635SN
12	5020106800	MAIN POWER BOARD CASE	
13	5020100847	SCREW	JST5030851SN
14	5020106574	FUSES	JHF003000200
15	5020107060	FUSE 2A/125V	JHF0082020P0
16	5020107057	POWER SUPPLY BOARD VDE/SAA/BS/S.AF	A60611300AAA

BERNINA 1150MDA

Main PCB (1200MDA (230/240V))

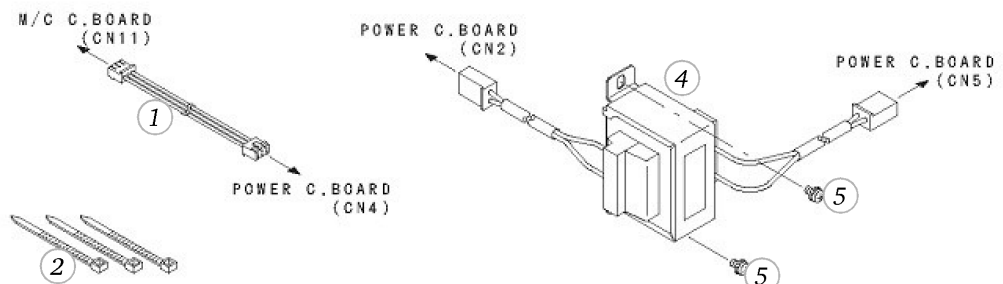


For replacement of Micro Computer board please see knowledge article 100260

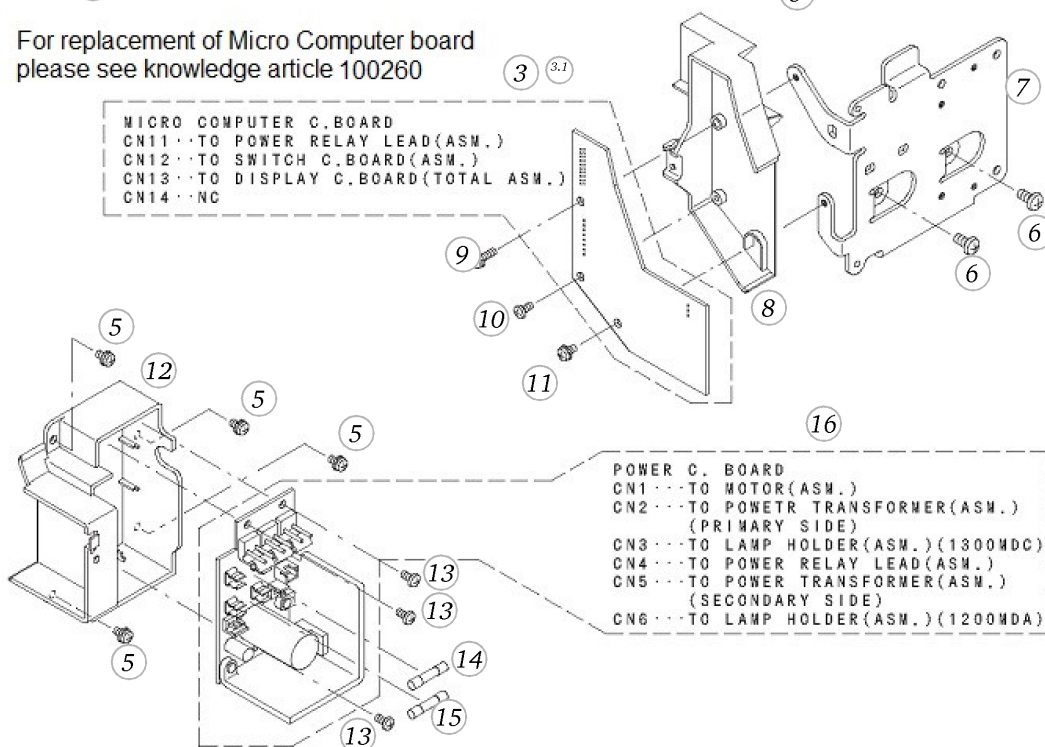
Pos	Item number	Description	Supplier Part no.
1	5020106801	LEAD WIRE ASM	A60651300AA
2	5020100549	BAND	
3	0000000999	(no longer available)	
4	5020107054	TRANSFORMER VDE/SAA/BS/S.AFR	A601413M0AA
5	5020100802	SCREW	JSL5030631SF
6	5020100807	SCREW	JSL5040835SN
7	5020106802	TRANSFORMER BRACKET	
8	5020106796	MICRO COMPUTER CIRCUIT BOARD COVER	
9	5020100804	SCREW	
10	5020100846	SCREW	
11	5020106092	SCREW	JSL5030635SN
12	5020106800	MAIN POWER BOARD CASE	
13	5020100847	SCREW	JST5030851SN
14	5020106574	FUSES	JHF003000200
15	5020107060	FUSE 2A/125V	JHF0082020P0
16	5020107065	POWER SUPPLY BOARD VDE/SAA/BS/S.AF	A606112A0AAA

BERNINA 1150MDA

Main PCB (1200MDA (110V))



For replacement of Micro Computer board please see knowledge article 100260



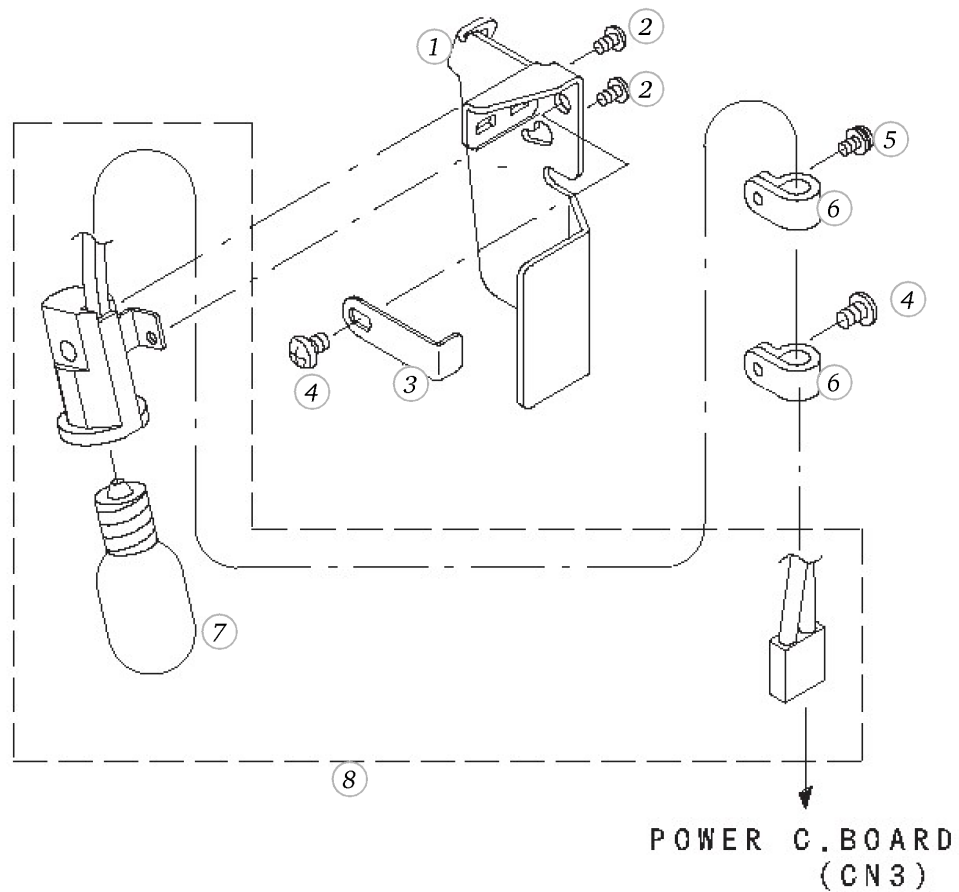
MICRO COMPUTER C. BOARD
 CN11...TO POWER RELAY LEAD(ASM.)
 CN12...TO SWITCH C. BOARD(ASM.)
 CN13...TO DISPLAY C. BOARD(TOTAL ASM.)
 CN14...NC

POWER C. BOARD
 CN1...TO MOTOR(ASM.)
 CN2...TO POWER TRANSFORMER(ASM.)
 (PRIMARY SIDE)
 CN3...TO LAMP HOLDER(ASM.)(1300MDC)
 CN4...TO POWER RELAY LEAD(ASM.)
 CN5...TO POWER TRANSFORMER(ASM.)
 (SECONDARY SIDE)
 CN6...TO LAMP HOLDER(ASM.)(1200MDA)

Pos	Item number	Description	Supplier Part no.
1	5020106801	LEAD WIRE ASM	A60651300A0
2	5020100549	BAND	
3	0000000999	(no longer available)	
4	5020107053	TRANSFORMER UL/CSA	A601413M0A0
5	5020100802	SCREW	JSL5030631SF
6	5020100807	SCREW	JSL5040835SN
7	5020106802	TRANSFORMER BRACKET	
8	5020106796	MICRO COMPUTER CIRCUIT BOARD COVER	
9	5020100804	SCREW	
10	5020100846	SCREW	
11	5020106092	SCREW	JSL5030635SN
12	5020106800	MAIN POWER BOARD CASE	
13	5020100847	SCREW	JST5030851SN
14	5020106573	FUSES	JHF002900200
15	5020107060	FUSE 2A/125V	JHF0082020P0
16	0000000999	(no longer available)	

BERNINA 1150MDA

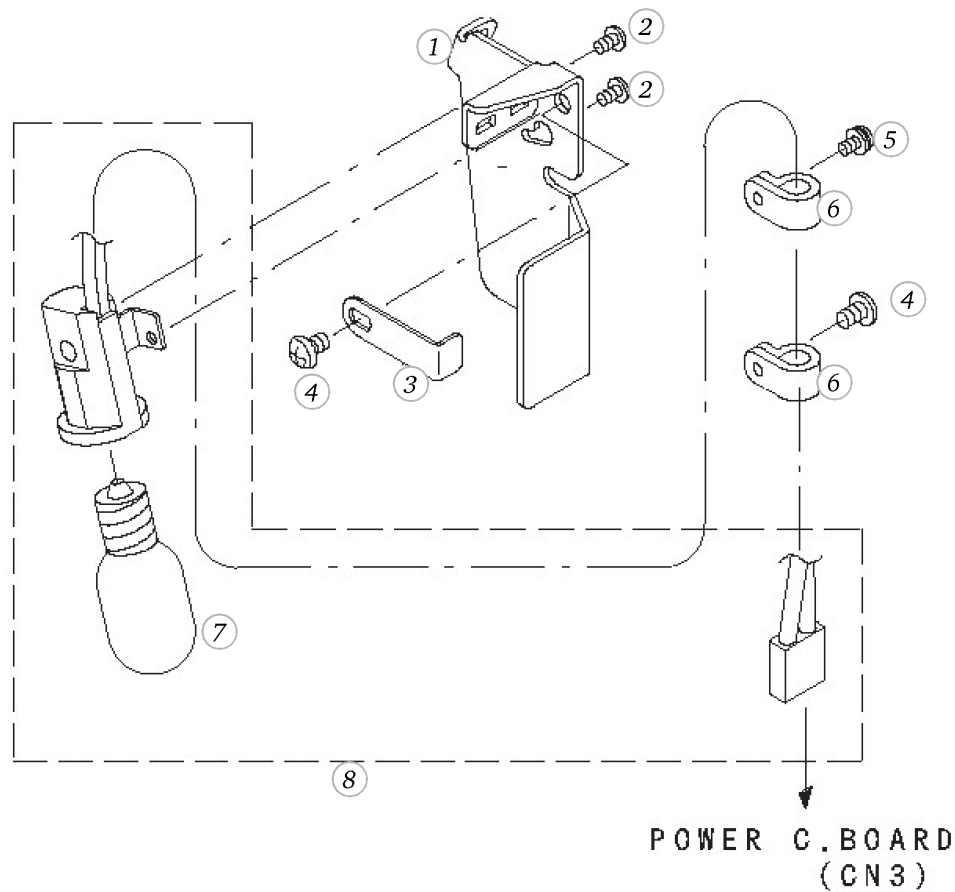
Lamp holder (1300MDC (UL/CSA))



Pos	Item number	Description	Supplier Part no.
1	5020105522	LAMP HOLDER SUPPORT	
2	5020106103	SCREW	
3	5020106745	FRONT COVER INSTALLATION HOLDER	
4	5020100819	SCREW	JSM4040655SN
5	5020100801	SCREW	
6	5020100786	CABLE CLIP	
7	5020107349	LAMP FOR UL	A6013800A00A
8	5020107050	LAMP HOLDER ASM CSA	A60061300AAA

BERNINA 1150MDA

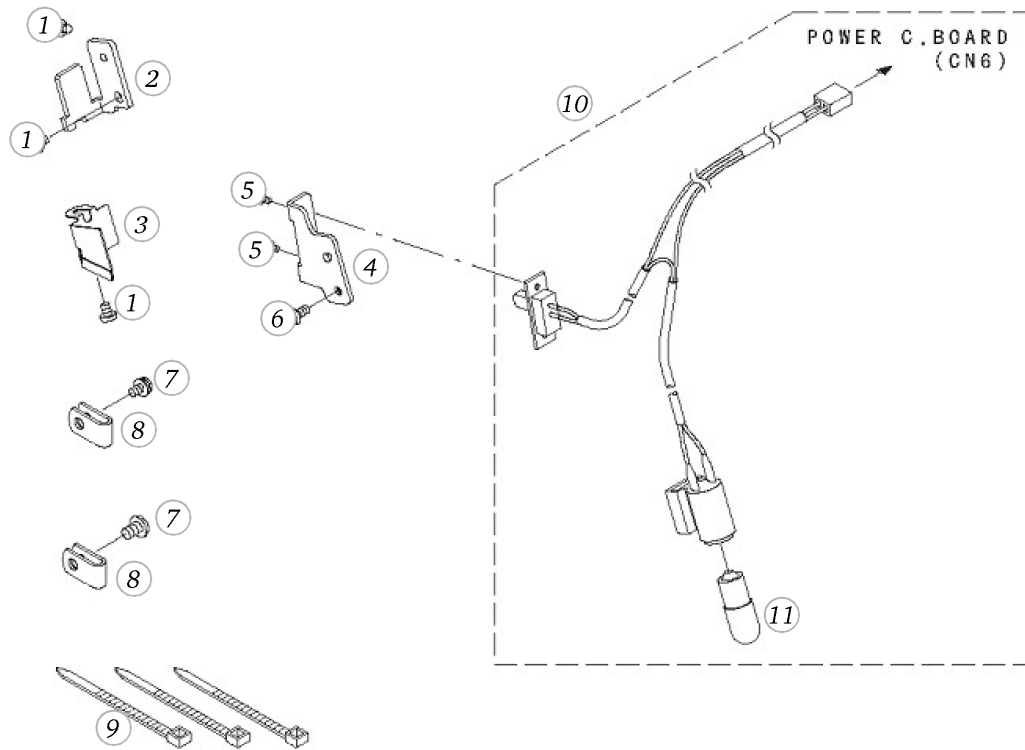
Lamp holder (1300MDC (CE/SAA))



Pos	Item number	Description	Supplier Part no.
1	5020105522	LAMP HOLDER SUPPORT	
2	5020106103	SCREW	
3	5020106745	FRONT COVER INSTALLATION HOLDER	
4	5020100819	SCREW	JSM4040655SN
5	5020100801	SCREW	
6	5020100786	CABLE CLIP	
7	5020107351	LAMP FOR VDE EUR/AUS	A6013800B00A
8	5020107051	LAMP HOLDER SAA/BS/S.AFRICA	A60061300ABA

BERNINA 1150MDA

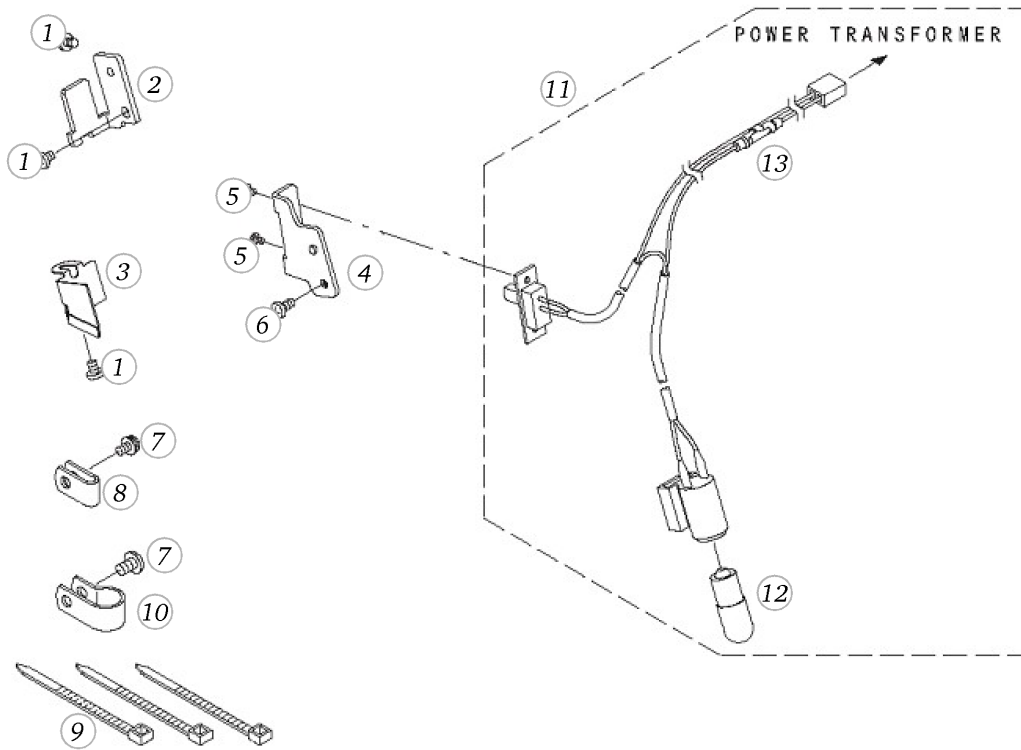
Lamp holder (1200MDA)



Pos	Item number	Description	Supplier Part no.
1	5020100822	SCREW	
2	5020105733	LAMP BRACKET	
3	5020105734	LAMP COVER	
4	5020105732	LAMP SW.BRACKET	
5	5020100812	SCREW	JSM4020301SC
6	5020100824	SCREW	JSM5030655SN
7	5020100802	SCREW	JSL5030631SF
8	5020100788	CABLE CLIP	
9	5020100549	BAND	
10	5020107061	LAMP SOCKET	A600112A0A0A
11	5020107206	LAMP 12V 5W	A3803880000A

BERNINA 1150MDA

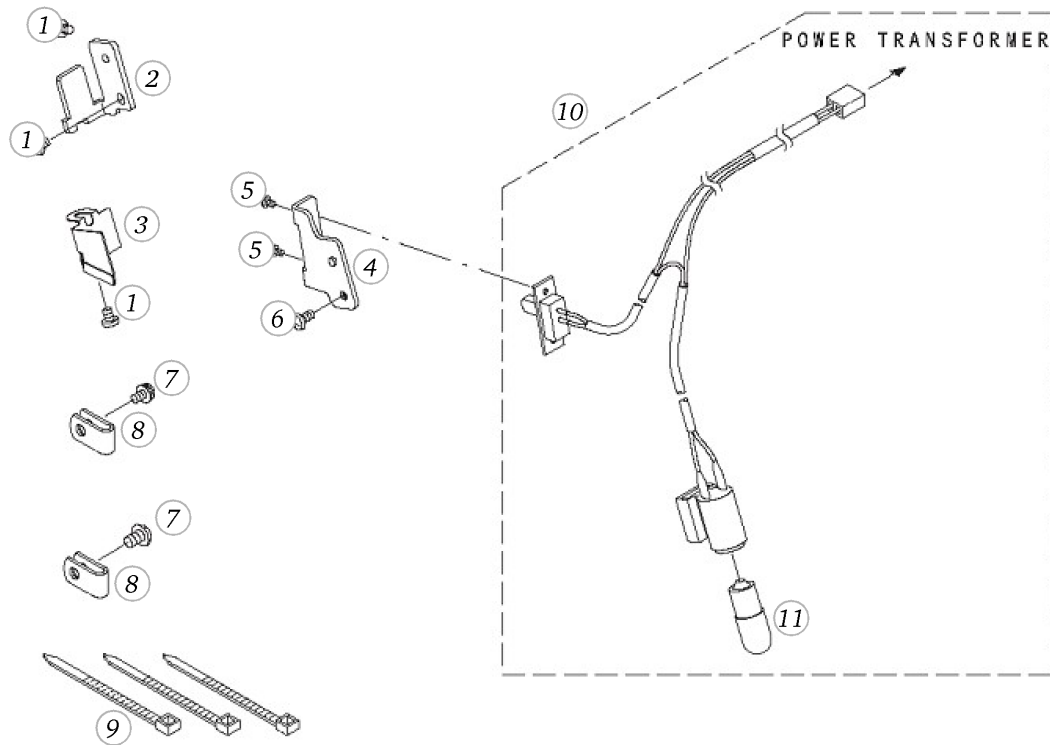
Lamp holder (1150MDA (UL/CSA))



Pos	Item number	Description	Supplier Part no.
1	5020100822	SCREW	
2	5020105733	LAMP BRACKET	
3	5020105734	LAMP COVER	
4	5020105732	LAMP SW.BRACKET	
5	5020100812	SCREW	JSM4020301SC
6	5020100824	SCREW	JSM5030655SN
7	5020100802	SCREW	JSL5030631SF
8	5020100788	CABLE CLIP	
9	5020100549	BAND	
10	5020105752	CABLE CLIP	
11	5020107573	Light cpl UL/CSA	
12	5020107206	LAMP 12V 5W	A3803880000A
13	5020100779	FUSE FOR MICRO C.C.BOARD (120V)	

BERNINA 1150MDA

Lamp holder (1150MDA (CE/SAA))

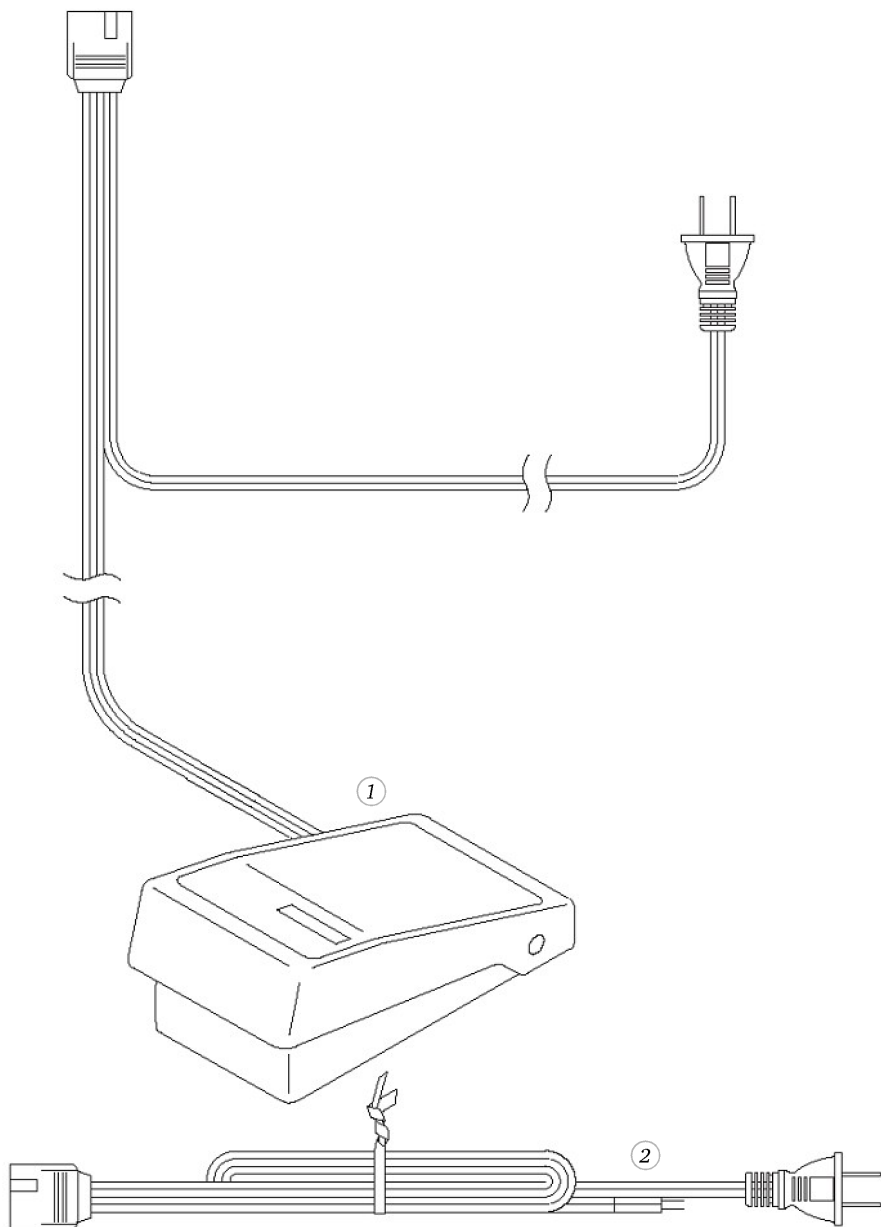


Pos	Item number	Description	Supplier Part no.
1	5020100822	SCREW	
2	5020105733	LAMP BRACKET	
3	5020105734	LAMP COVER	
4	5020105732	LAMP SW.BRACKET	
5	5020100812	SCREW	JSM4020301SC
6	5020100824	SCREW	JSM5030655SN
7	5020100802	SCREW	JSL5030631SF
8	5020100788	CABLE CLIP	
9	5020100549	BAND	
10	5020107068	LAMP HOLDER SAA/BS/S.AFRICA	A600210D0A0A
11	5020107206	LAMP 12V 5W	A3803880000A

BERNINA 1150MDA

Foot controller (1150MDA / 1200MDA / 1300MDC (UL/CSA))

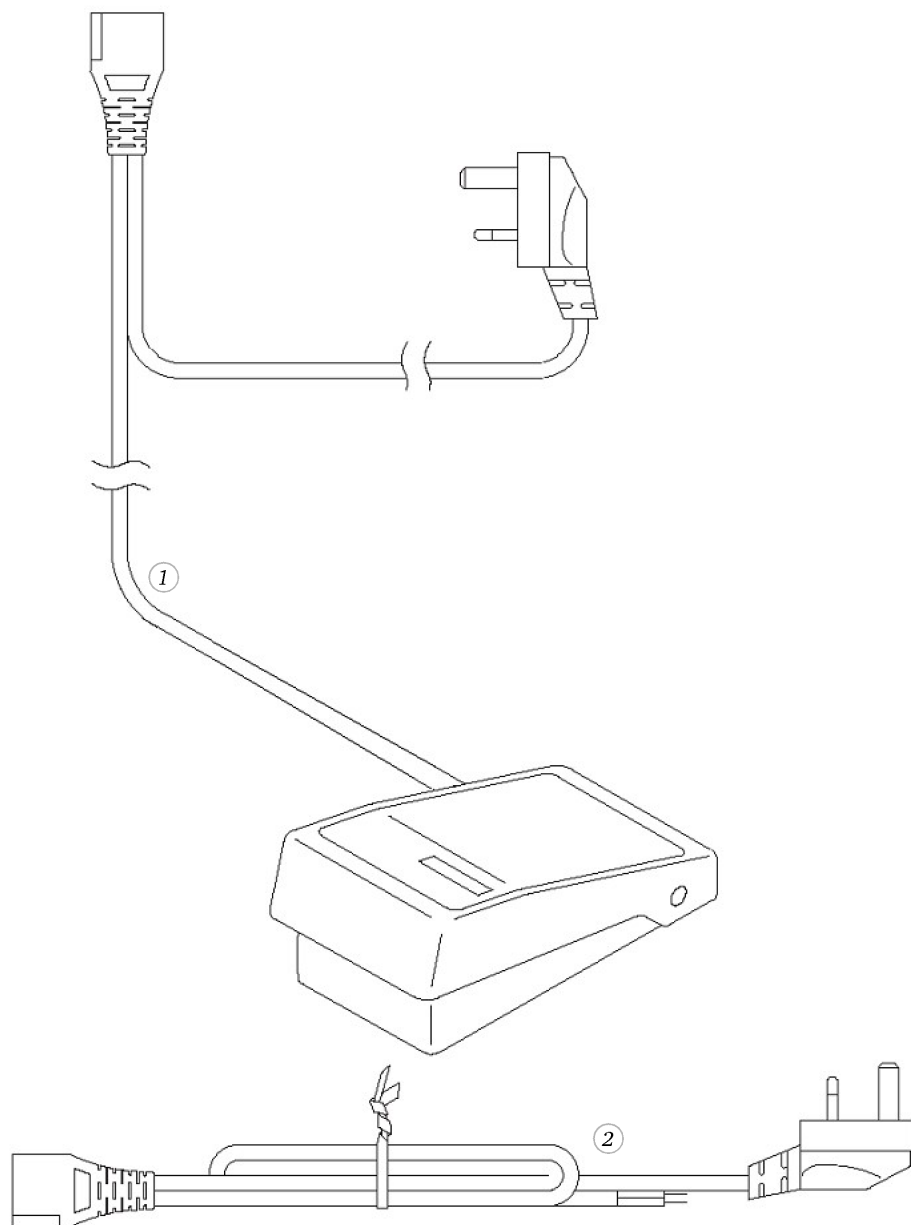
Pos	Item number	Description	Supplier Part no.
1	5020109175	Foot controller UL/CSA	40166219
2	5020105531	CORD WITH PLUG(UL/CSA)	A65011100A0



BERNINA 1150MDA

Foot controller (1150MDA / 1200MDA / 1300MDC (GB))

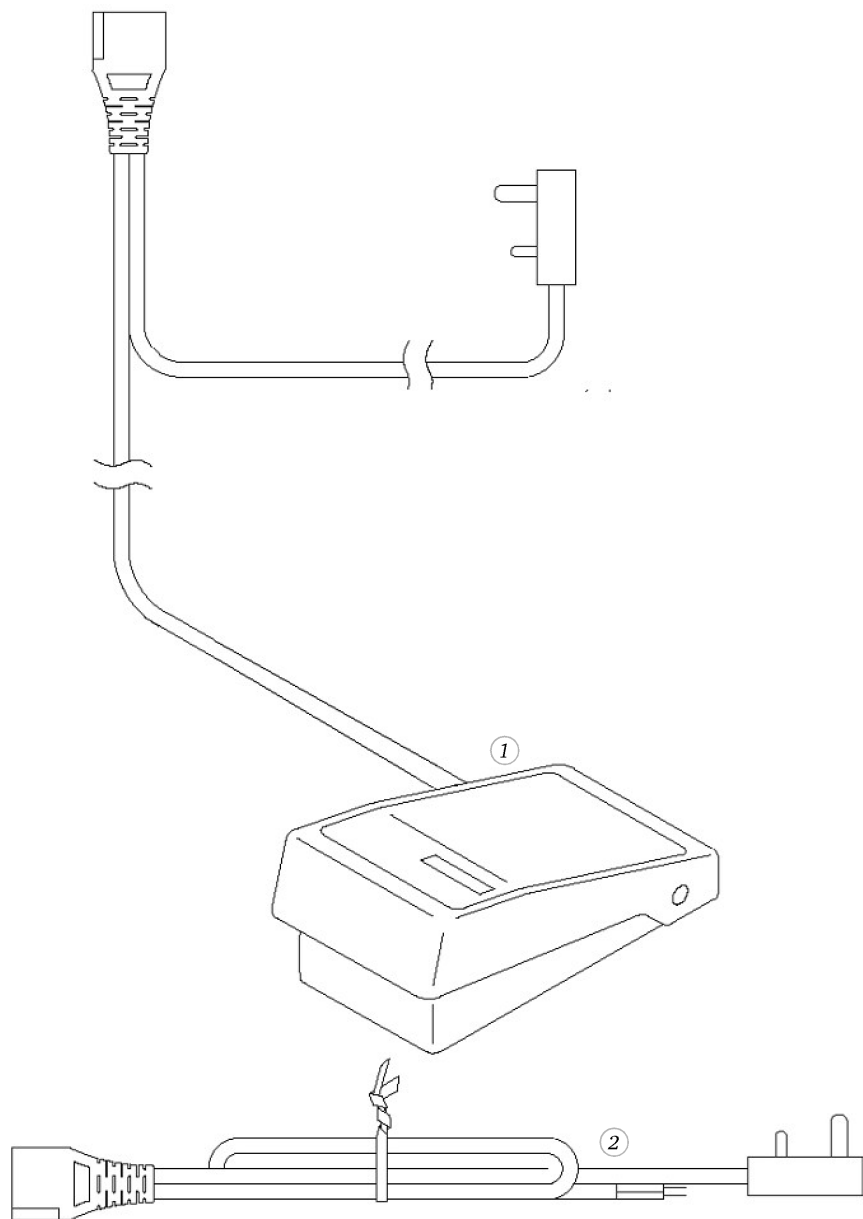
Pos	Item number	Description	Supplier Part no.
1	5020107076	FOOT CONTROLER BS	A640111000CB
2	5020105534	CORD WITH PLUG GB	A65011100AC



BERNINA 1150MDA

Foot controller (1150MDA / 1200MDA / 1300MDC (SA))

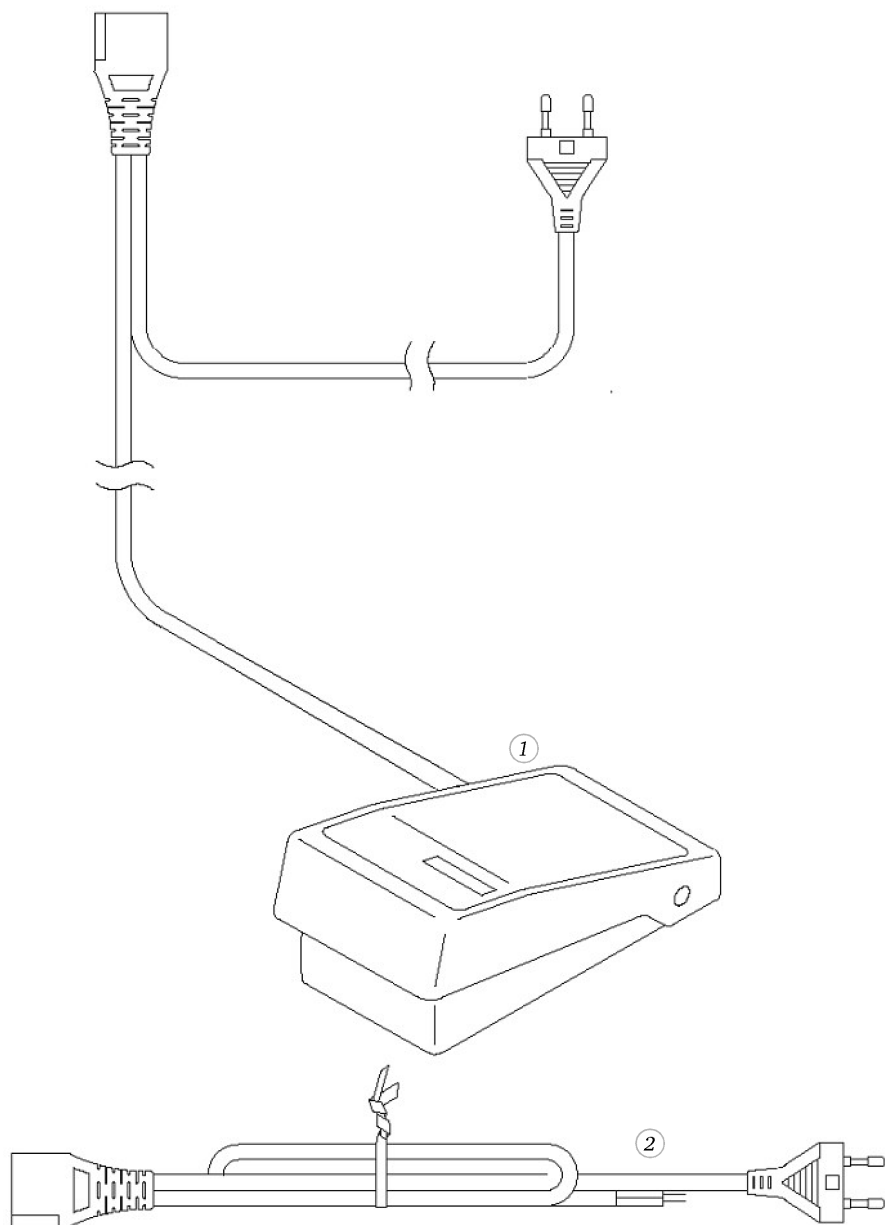
Pos	Item number	Description	Supplier Part no.
1	A64011100DB	FOOT CONTROLLER (SA)	
2	A65011100AD	CORD WITH PLUG(SA)	



BERNINA 1150MDA

Foot controller (1150MDA / 1200MDA /1300MDC (CE))

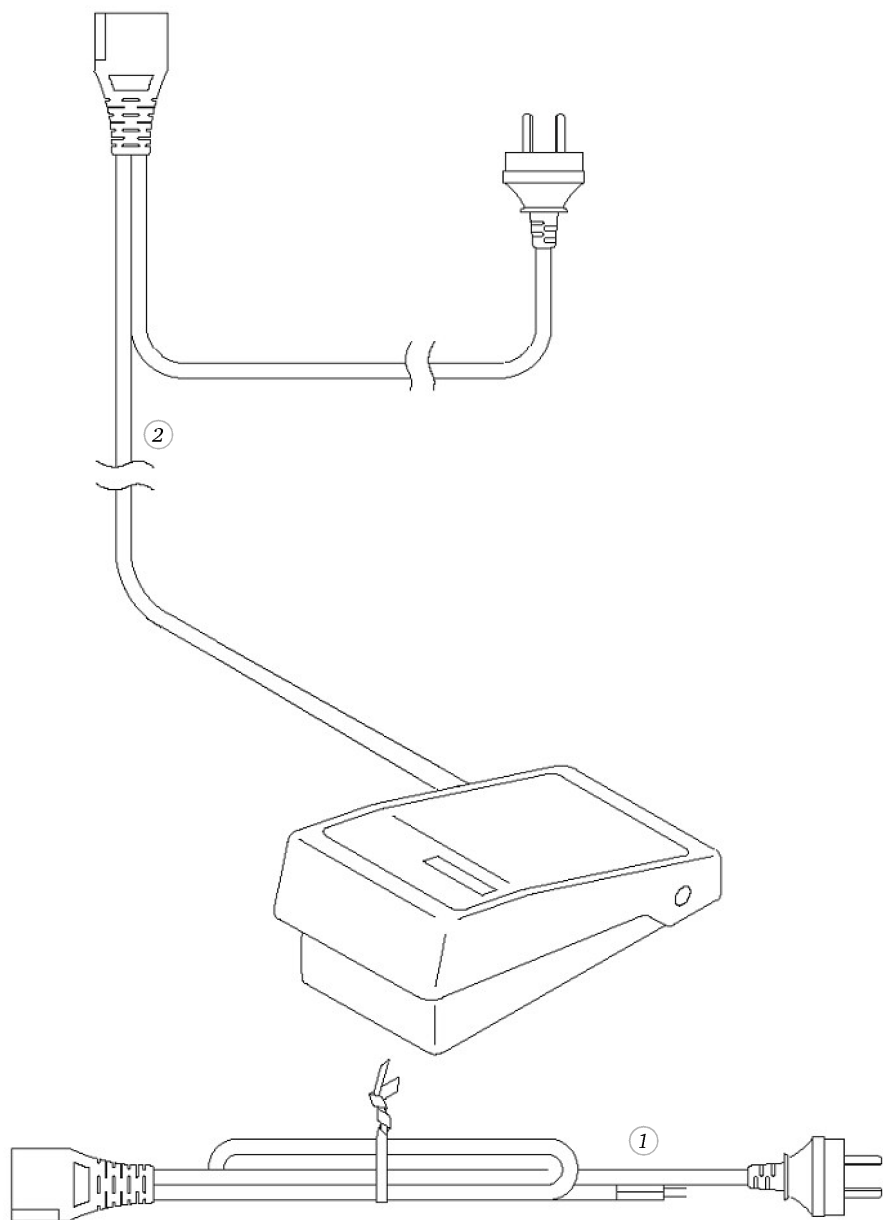
Pos	Item number	Description	Supplier Part no.
1	5020107074	FOOT CONTROLER VDE	A640111000AB
2	5020105532	CORD WITH PLUG(CE/SEV)	A65011100AA



BERNINA 1150MDA

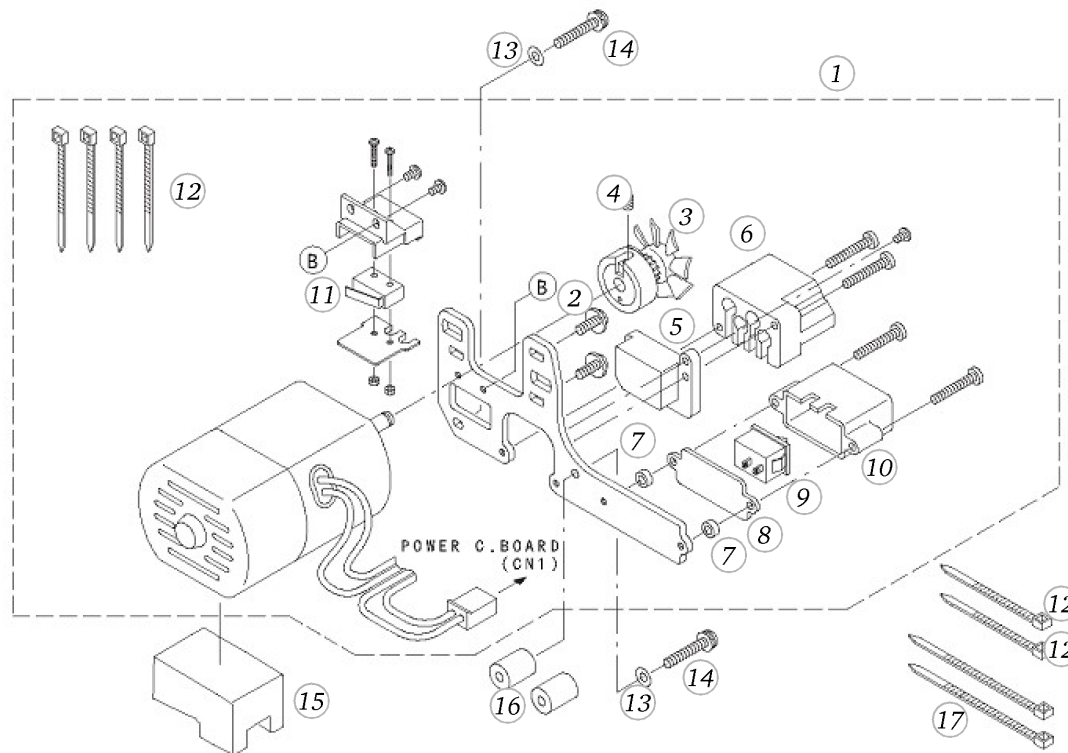
Foot controller (1150MDA / 1200MDA / 1300MDC (SSA))

Pos	Item number	Description	Supplier Part no.
1	5020106987	CORD WITH PLUG(SAA)	A65011100ABA
2	5020107075	FOOT CONTROLER SAA	A640111000BB



BERNINA 1150MDA

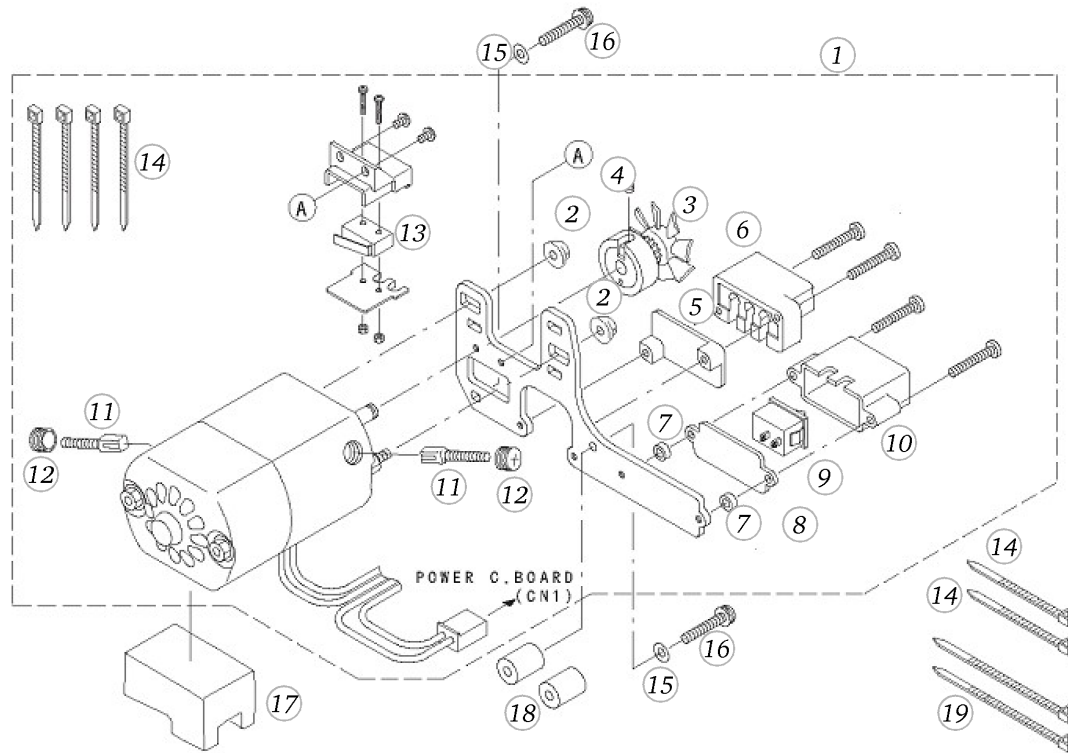
Main motor (1200MDA / 1300MDC (CE/SAA))



Pos	Item number	Description	Supplier Part no.
1	5020106578	MOTOR 220V/240V	A63011300BB
2	5020105731	SCREW	
3	5020106791	MOTOR PULLEY	A60101300A0
4	5020100837	SCREW	JSM8040602TP
5	5020105520	CONDENSER COVER	
6	5020107125	TERMINAL BOX	A6001102G00
7	5020105523	SPACER	
8	5020100614	SWITCH COVER B	
9	A600364D000	POWER SWITCH	
10	5020100613	SWITCH COVER A	A6015524000
11	5020105749	MICRO SWITCH	JE9603501000
12	5020100549	BAND	
13	5020105317	WASHER	A1636534D00
14	5020105541	SCREW	
15	A6003535000	MOTOR PROTECTOR	
16	5020105526	MOTOR SETTING BASE	
17	5020105750	CORD PRESSER	

BERNINA 1150MDA

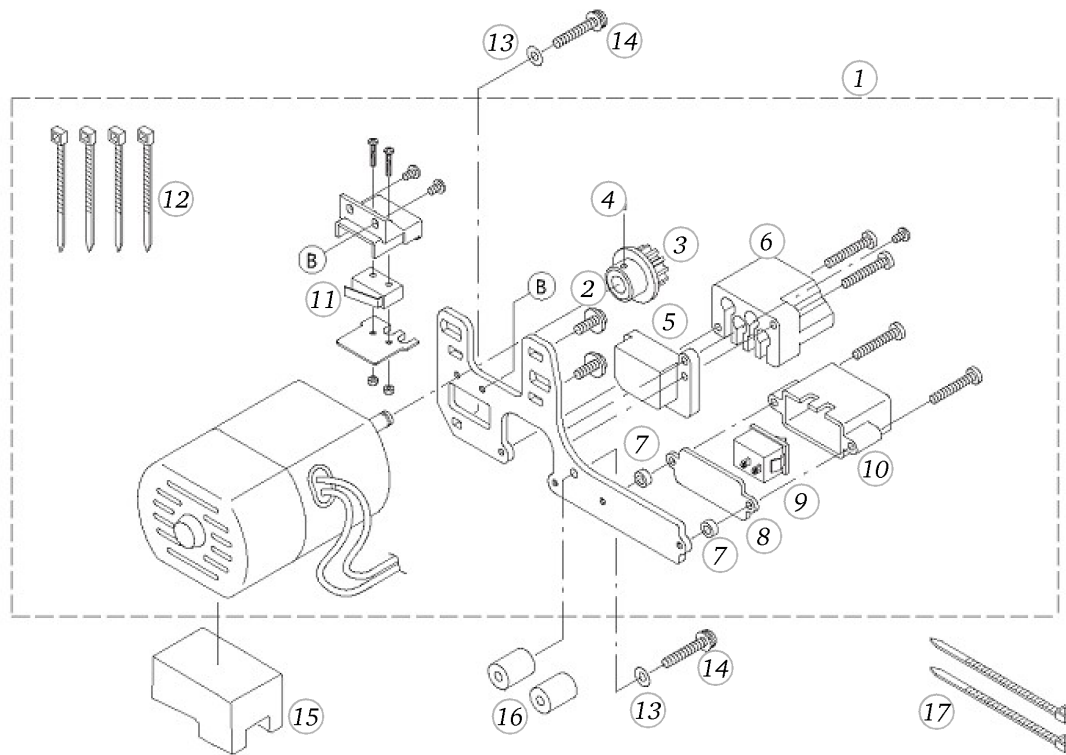
Main motor (1200MDA / 1300MDC (UL/CSA))



Pos	Item number	Description	Supplier Part no.
1	5020106577	MOTOR 110V	A63011300B0
2	5020105753	NUT	
3	5020106791	MOTOR PULLEY	A60101300A0
4	5020100837	SCREW	JSM8040602TP
5	5020105735	TERM.BOX SETT.PLATE	
6	A6001102U00A	COVER	
7	5020105523	SPACER	
8	5020100614	SWITCH COVER B	
9	A600364D000	POWER SWITCH	
10	5020100613	SWITCH COVER A	A6015524000
11	5020105346	CARBON BRUSH	A6090534000
12	MSA01071M07	CARBON BRUSH CAP	
13	5020105749	MICRO SWITCH	JE9603501000
14	5020100549	BAND	
15	5020105317	WASHER	A1636534D00
16	5020105541	SCREW	
17	A6003535000	MOTOR PROTECTOR	
18	5020105526	MOTOR SETTING BASE	
19	5020105750	CORD PRESSER	

BERNINA 1150MDA

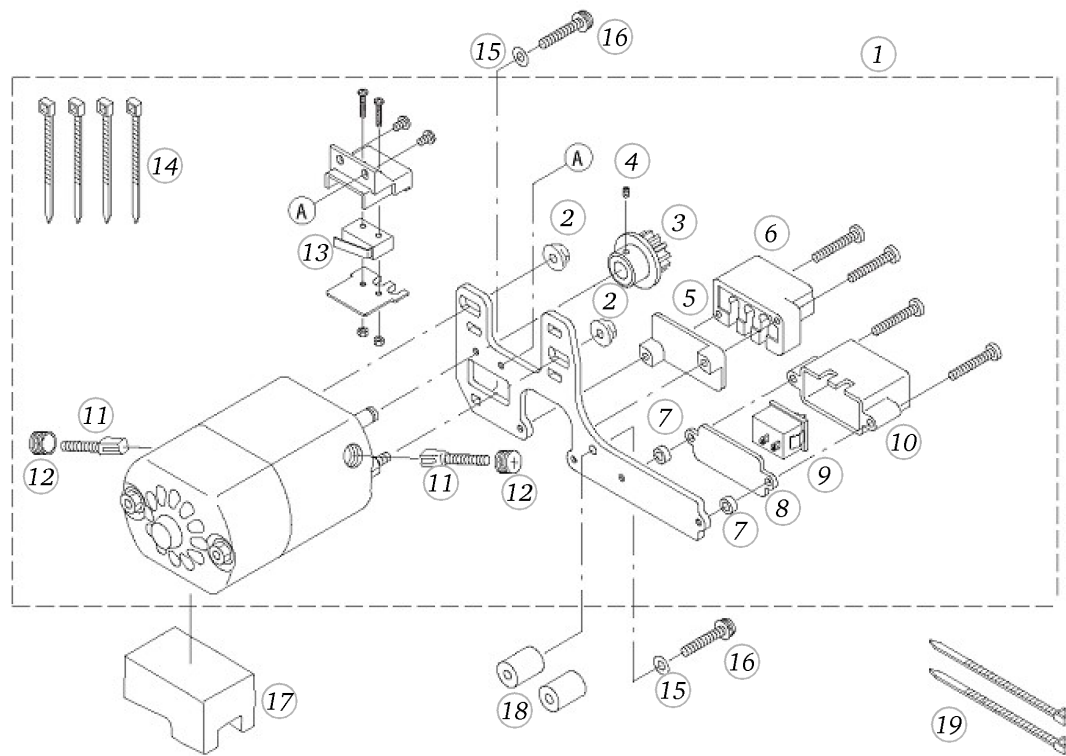
Main motor (1150MDA (CE/SAA))



Pos	Item number	Description	Supplier Part no.
1	5020105743	MOTOR 1100DA CE/SEV/SAA/GB	A630111A0BB
2	5020105731	SCREW	
3	5020100604	MOTOR PULLEY 230/240V 007	A601063400A
4	5020100837	SCREW	JSM8040602TP
5	5020105520	CONDENSER COVER	
6	5020107125	TERMINAL BOX	A6001102G00
7	5020105523	SPACER	
8	5020100614	SWITCH COVER B	
9	A600364D000	POWER SWITCH	
10	5020100613	SWITCH COVER A	A6015524000
11	5020105749	MICRO SWITCH	JE9603501000
12	5020100549	BAND	
13	5020105317	WASHER	A1636534D00
14	5020105541	SCREW	
15	A6003535000	MOTOR PROTECTOR	
16	5020105526	MOTOR SETTING BASE	
17	5020105750	CORD PRESSER	

BERNINA 1150MDA

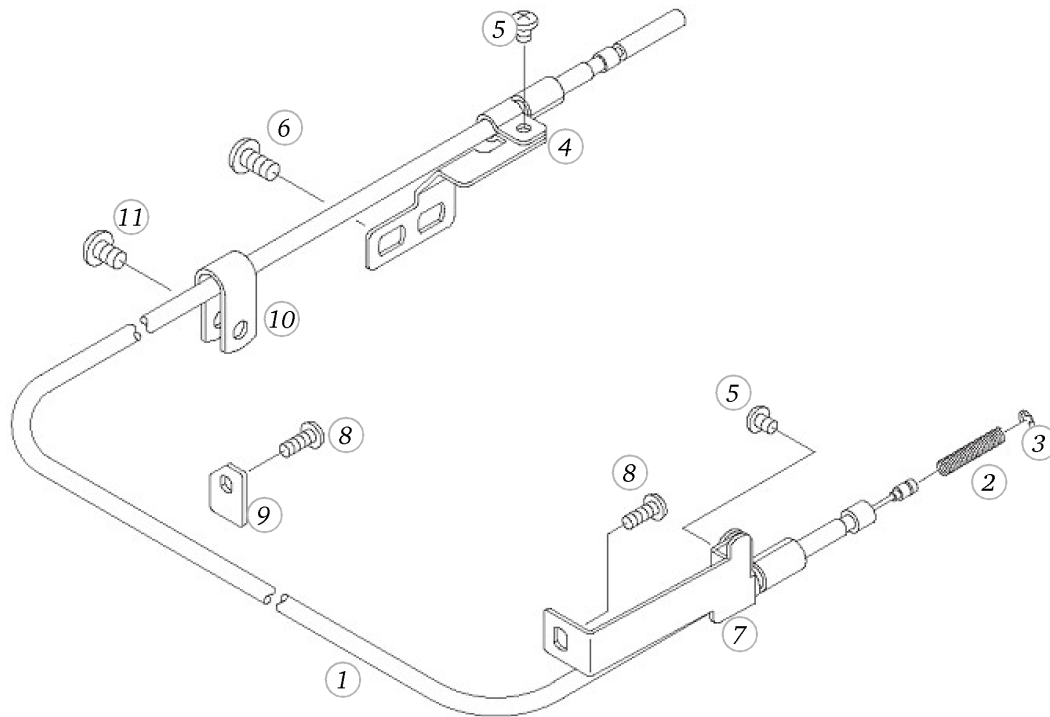
Main motor (1150MDA (UL/CSA))



Pos	Item number	Description	Supplier Part no.
1	5020105742	MOTOR(ASM.)(UL/CSA)	A630111A0B0
2	5020105753	NUT	
3	5020100605	MOTOR PULLEY(UL,CSA)	A6010634000A
4	5020100837	SCREW	JSM8040602TP
5	5020105735	TERM.BOX SETT.PLATE	
6	A6001102U00A	COVER	
7	5020105523	SPACER	
8	5020100614	SWITCH COVER B	
9	A600364D000	POWER SWITCH	
10	5020100613	SWITCH COVER A	A6015524000
11	5020105346	CARBON BRUSH	A6090534000
12	MSA01071M07	CARBON BRUSH CAP	
13	5020105749	MICRO SWITCH	JE9603501000
14	5020100549	BAND	
15	5020105317	WASHER	A1636534D00
16	5020105541	SCREW	
17	A6003535000	MOTOR PROTECTOR	
18	5020105526	MOTOR SETTING BASE	
19	5020105750	CORD PRESSER	

BERNINA 1150MDA

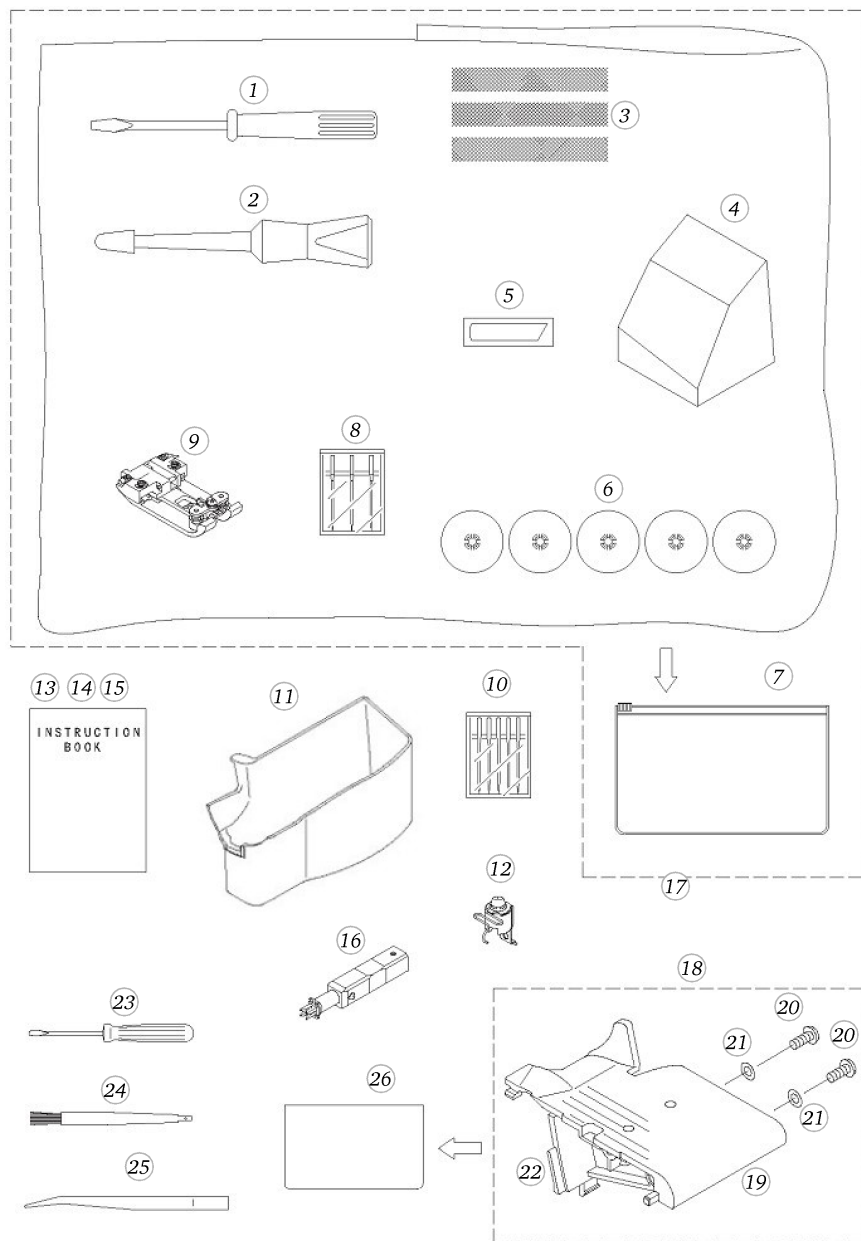
Outer wire (1150MDA / 1200MDA / 1300MDC)



Pos	Item number	Description	Supplier Part no.
1	5020109169	Outer wire asm	A6026335EA0A
2	A6033535000	SPRING	
3	5020100792	E-RING	JRE0200000K0
4	5020105738	WIRE HOLDER (1)	
5	5020100815	SCREW	JSM4030455SN
6	5020100828	SCREW	JSM5040855SN
7	5020109168	Wire Holder	A602511A000A
8	5020100847	SCREW	JST5030851SN
9	A6036535000	PLATE	
10	5020100786	CABLE CLIP	
11	5020100819	SCREW	JSM4040655SN

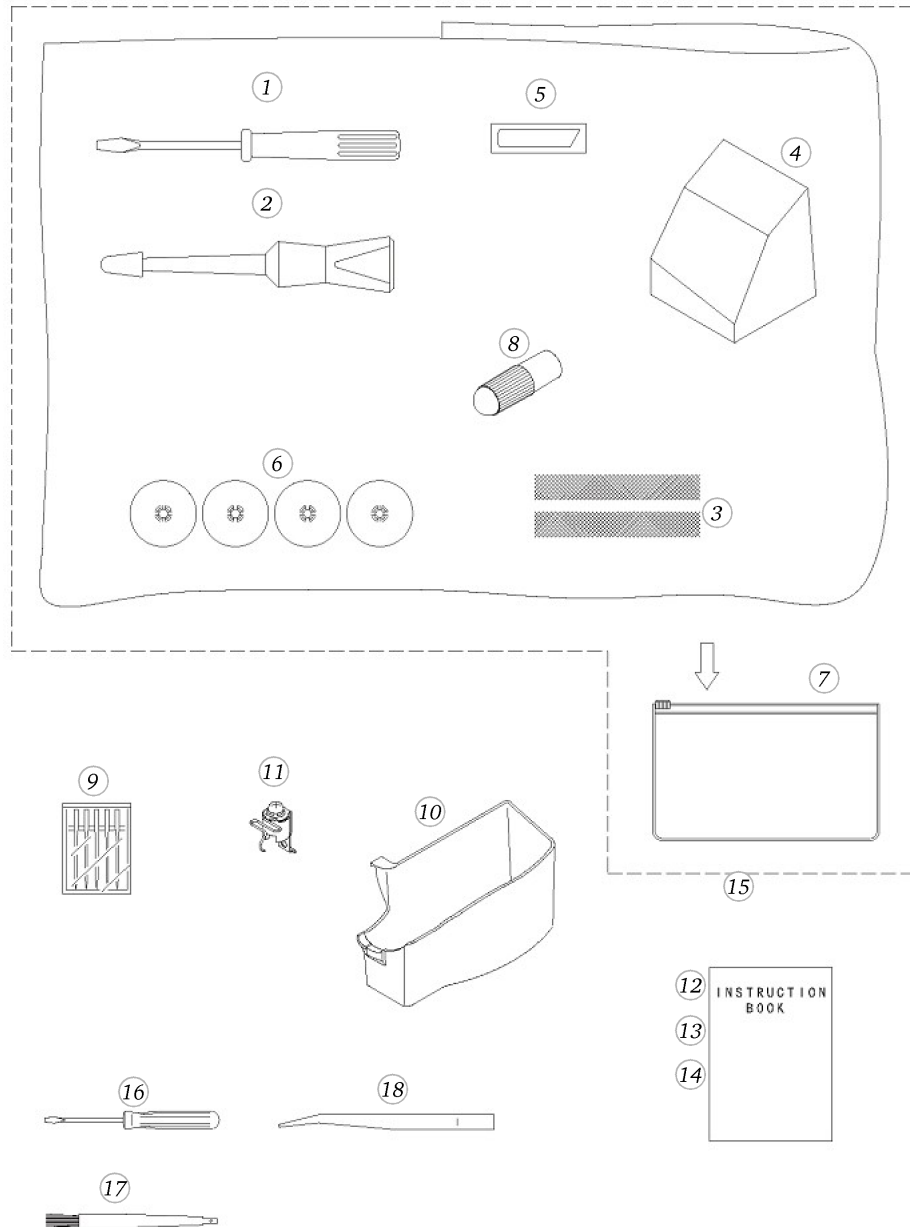
BERNINA 1150MDA

Accessories (1300MDC)



Pos	Item number	Description	Supplier Part no.
1	5020100669	SCREW DRIVER(MEDIUM)	A9103102000
2	5020100670	OILER (ASM.)	A91041020A0
3	5020100684	NET	A9116335000
4	5020106074	VINYL COVER	A9102800000
5	5020102052	LOWER KNIFE WITH PACK	J50191103
6	5020105535	THREAD SPOOL CAP	A9106776000B
7	5020100695	ACCESSORY BAG 2000/334/007	A9121503000A
8	5020107203	NEEDLES	A91141300A0
9	5020107038	CS PRESSER FOOT ASM	A15511300B0A
10	5020100683	NEEDLE (ASM.)	A91147760A0
11	5020106579	WASTE COLLECTOR	A9108130000
12	5020100703	2/3THR.CONVERTER ASM.200DC	A91307770A0
13	5020107021	INSTR.BOOK 1300MDC GB/E/D/F	A915013M00A
14	5020107022	INSTR.BOOK 1300MDC D/F/I/NL	A915013M00B
15	5020107023	INSTR.BOOK 1300MDC NOR/S	A915013M00C
16	5020107044	THREADER	A910713M000
17	5020107596	ACC.BAG.ASSY	A91201300A0B
18	5020107018	COVER/CHAIN STITCH EXTENSION PLA	A11801300B0B
19	5020107036	COVER STITCH AUX.BED	A11801300A0B
20	5020106115	SCREW	JST5041051SN
21	5020105317	WASHER	A1636534D00
22	5020106703	DOUBLE SUB.BED BOARD	
23	5020100680	SCREW DRIVER	A9110776000
24	5020107247	CLEANING BRUSH/NEEDLE INSERTER	J40065952
25	5020100678	TWEEZERS	A9109202000
26	J0231082A00	THR.STAND ASM.FOR WIPER THREAD	

BERNINA 1150MDA

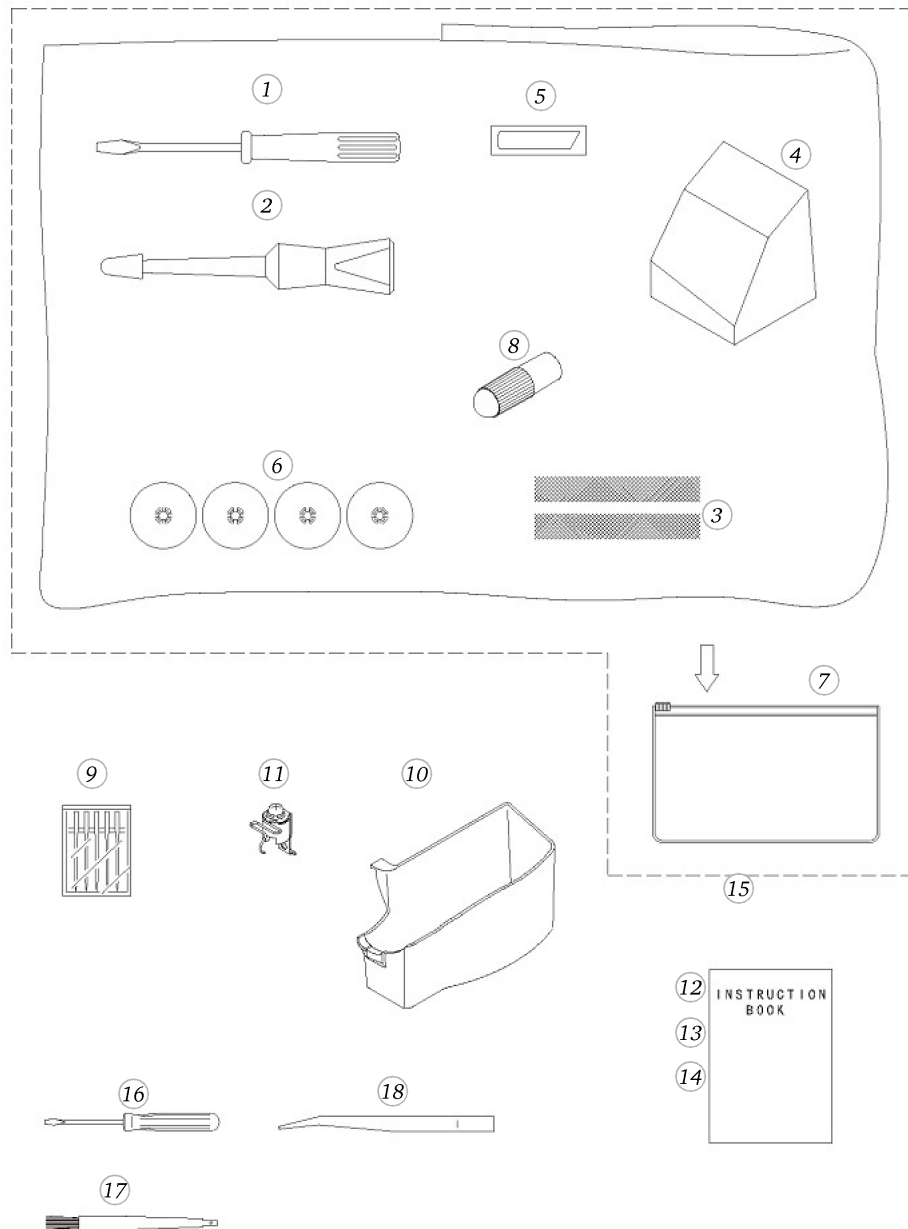


Accessories (1200MDA)

Pos	Item number	Description	Supplier Part no.
1	5020100669	SCREW DRIVER(MEDIUM)	A9103102000
2	5020100670	OILER (ASM.)	A91041020A0
3	5020100684	NET	A9116335000
4	5020106074	VINYL COVER	A9102800000
5	5020102052	LOWER KNIFE WITH PACK	J50191103
6	5020105535	THREAD SPOOL CAP	A9106776000B
7	5020100695	ACCESSORY BAG 2000/334/007	A9121503000A
8	5020100685	LAMP REMOVER	A9118776000
9	5020100683	NEEDLE (ASM.)	A91147760A0
10	5020106237	CLOTH DUST BOX 1100D/DA 1150MDA 1200MDA	A9108110000A
11	5020100703	2/3THR.CONVERTER ASM.200DC	A91307770A0
12	5020107024	INSTR.BOOK 1200MDA GB/E/D/F	A915012M00A
13	5020107025	INSTR.BOOK 1200MDA D/F/I/NL	A915012M00B
14	5020107026	INSTR.BOOK 1200MDA NOR/SF	A915012M00C
15	5020107527	ACC.BAG.ASSY	A912012A0A0A
16	5020100680	SCREW DRIVER	A9110776000
17	5020107247	CLEANING BRUSH/NEEDLE INSERTER	J40065952
18	5020100678	TWEEZERS	A9109202000

BERNINA 1150MDA

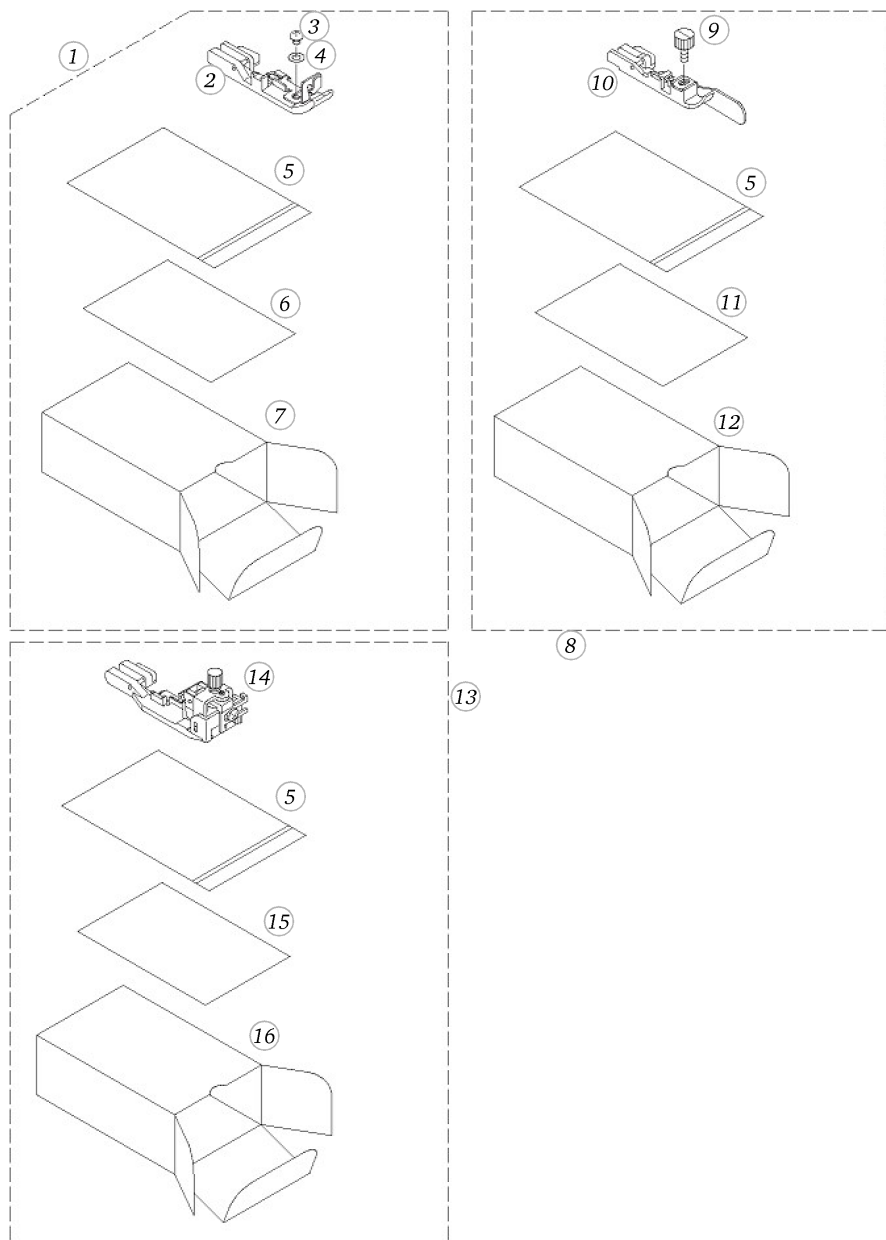
Accessories (1150MDA)



Pos	Item number	Description	Supplier Part no.
1	5020100669	SCREW DRIVER(MEDIUM)	A9103102000
2	5020100670	OILER (ASM.)	A91041020A0
3	5020100684	NET	A9116335000
4	5020106074	VINYL COVER	A9102800000
5	5020102052	LOWER KNIFE WITH PACK	J50191103
6	5020105535	THREAD SPOOL CAP	A9106776000B
7	5020100695	ACCESSORY BAG 2000/334/007	A9121503000A
8	5020100685	LAMP REMOVER	A9118776000
9	5020100683	NEEDLE (ASM.)	A91147760A0
10	5020106237	CLOTH DUST BOX 1100D/DA 1150MDA 1200MDA	A9108110000A
11	5020100703	2/3THR.CONVERTER ASM.200DC	A91307770A0
12	5020107027	INSTR.BOOK 1150MDA GB/E/D/F	A915011M00A
13	5020107028	INSTR.BOOK 1150MDA D/F/I/NL	A915011M00B
14	5020107029	INSTR.BOOK 1150MDA NOR/SF	A915011M00C
15	5020107527	ACC.BAG.ASSY	A912012A0A0A
16	5020100680	SCREW DRIVER	A9110776000
17	5020107247	CLEANING BRUSH/NEEDLE INSERTER	J40065952
18	5020100678	TWEEZERS	A9109202000

BERNINA 1150MDA

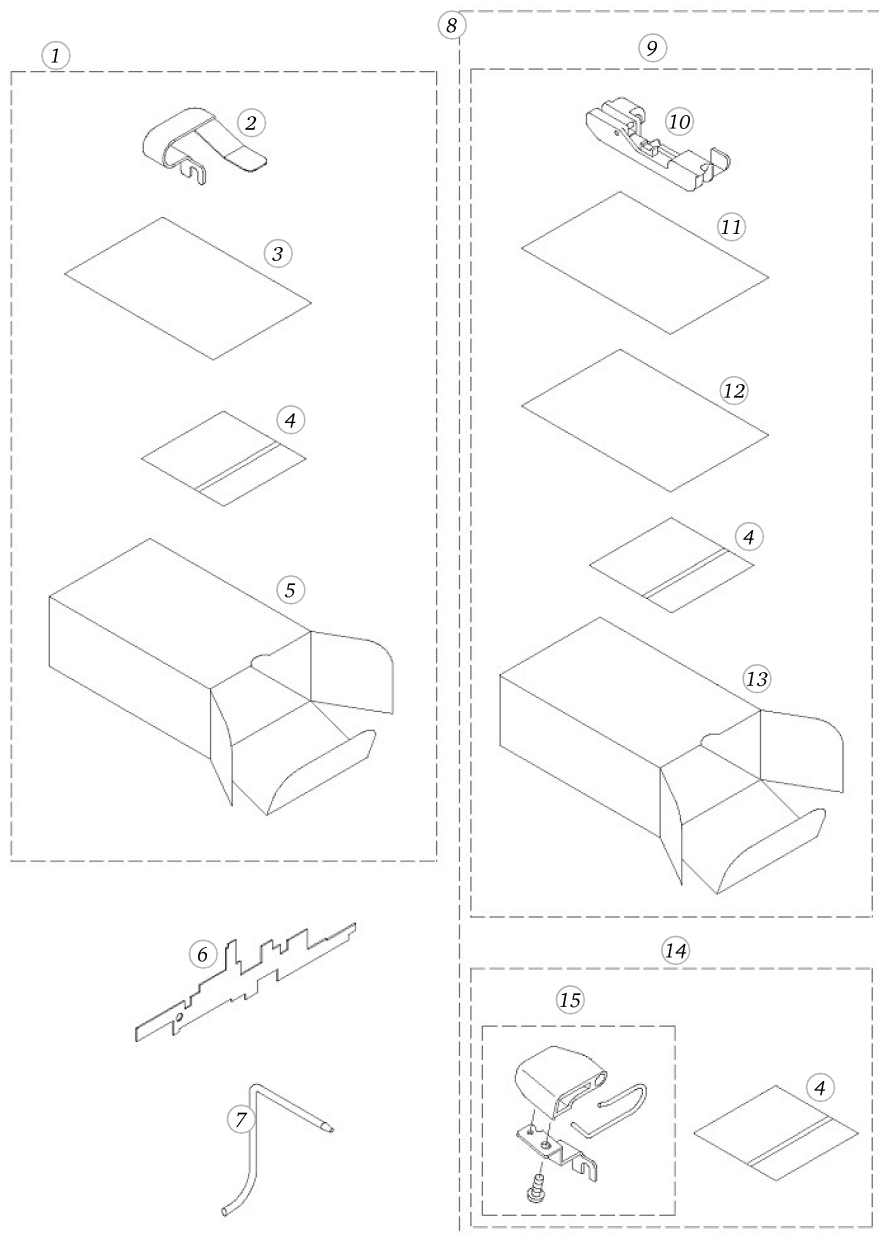
Presserfeet (1150MDA / 1200MDA / 1300MDC)



Pos	Item number	Description	Supplier Part no.
1	5020106460	CORDING FOOT ATT.(MAS.ASM.)	A91467760C0A
2	5020105641	CORDING FOOT ATT.(ASM.)	A91467760B0B
3	5020100814	SCREW	
4	5020100849	WASHER	JWP0320501SC
5	5020100697	VINYL BAG	
6	A914813M000	CORDING ATT. SHEET	
7	A9147776000B	CORDING ATT. BOX	
8	5020106458	BLIND STITCH P.FOOT (MAS.A	A91407780C0A
9	5020100226	SCREW	
10	5020105746	BLIND STITCH PR.FOOT(ASM.)	A91406340B0
11	A914213M000	INSTR. SHEET BL. ST. FOOT	
12	A9141778000A	BLIND STITCH ATT. BOX	
13	5020106459	ELASTICATOR ATT.CPL.2000DE	A91437760C0A
14	5020105640	ELASTICATOR ATT.1100D/DA	A91437760B0B
15	A914513M000	ELASTICATOR ATT.SHEET	
16	A9144776000B	ELASTICATOR ATT. BOX	

BERNINA 1150MDA

Gathering att. (1150MDA / 1200MDA / 1300MDC)



Pos	Item number	Description	Supplier Part no.
1	5020107095	GATHERING ATT.	A950113M0B0
2	A950113M0A0	PLATE	
3	A950413M000	INSTR. SHEET	
4	5020100697	VINYL BAG	
5	A9500313M000	BOX	
6	5020107045	TIMING GAUGE	A919913M000
7	5020100681	SEAM GUIDE LEFT	A9111335000
8	5020107096	MULTI PURP.FOOT W.GUIDE	A920113M0C0
9	A920113M0B0	MULTI PURPOSE FOOT (NOGUIDE)	
10	A92017760A0A	MULTI PURP. FOOT (NO GUIDE)	
11	A920313MA00	INSTR. SHEET	
12	A920313MB00	SHEET	
13	A920813M000	BOX	
14	5020107100	GUIDE FOR MULTI PURPOSE FT	A921113M0B0
15	A921113M0A0	GUIDE FOR MULTI PURPOSE FT	